

- 1
- 2
- 3
- 4
- 5
- 6
- 7
- 8
- 9
- 10
- 11
- 12
- 13
- 14
- 15
- 16
- 17
- 18

**MATERIAL**

Glass-fibre reinforced polyamide based (PA) technopolymer, black colour, glossy finish.

**STANDARD EXECUTION**

Black-oxide steel boss, H7 reamed hole, fitting to shaft by means of a supplied grub screw with hexagon socket and cup end UNI 5929-85.

**INDICATOR CHOICE (TO BE ORDERED SEPARATELY)**

IZN-XX knurled grip knobs can be used with analogue and digital-analogue gravity indicators.

To choose the indicator see the table below for possible assembly with indicators.

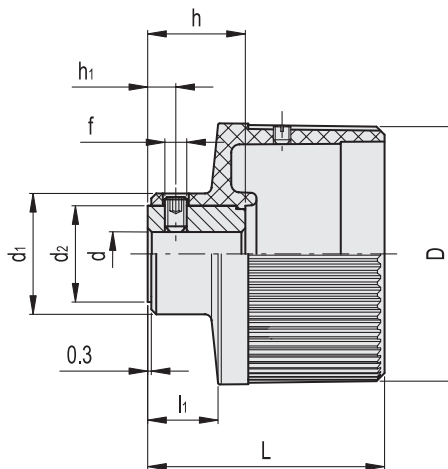
See also "Assembly instructions" for gravity indicators. (on page 724).

**ACCESSORIES ON REQUEST**

Cover CP-XX (see page 753) for fitting instead of the indicator.



ELESA Original design



Conversion Table	
1 mm = 0.039 inch	
D	
mm	inch
59	2.32
79	3.11

Code	Description	D	L	dH7	h	d1	d2	f	h1	l1	⚖️	Handwheel/indicator combinations
CE.30101	IZN.60-GXX1 A-10	59	53	10	22	27	22	M5	6	15	110	GA01-GA11
CE.30201	IZN.80-GXX2 A-12	79	57	12	24	33	26	M5	6	17	190	GA02-GA12-GW12