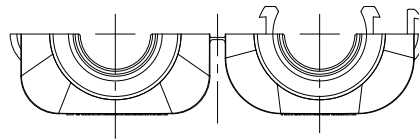
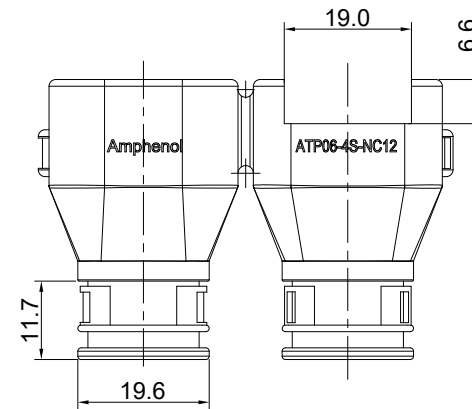
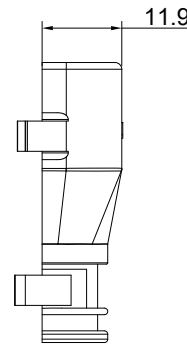
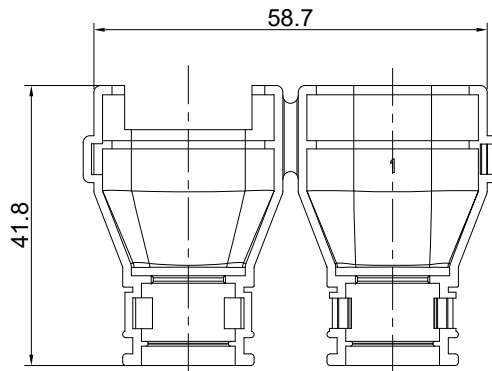
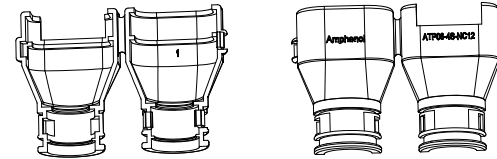
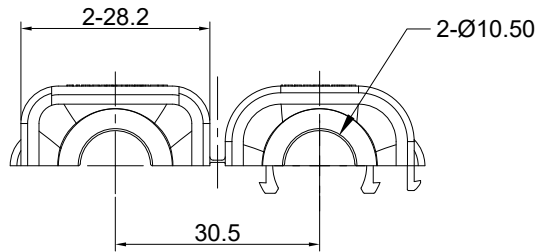


REVISIONS

REV	ECO	DESCRIPTION	DATE	BY	APPR
A1		RELEASE NEW DWG FORMAT	Jan-16-15	TOM	
A2		ADDED NOTE #5	Jun-28-22	J. HEAD	



- NOTES: UNLESS OTHERWISE SPECIFIED
1. MATERIAL: THERMOPLASTIC; COLOR: BLACK
  2. RoHS COMPLIANT
  3. ALL DIMENSIONS ARE FOR REFERENCE USE ONLY.
  4. MATING CYCLE DURABILITY: 100 CYCLES
  5. ATTACHES TO THESE PLUGS AND RECEPTACLES WITH END CAPS:  
 ATP04-4P-EC\*, ATP04-4P-MM\*, ATP04-4P-PM\*EC\*  
 ATP06-4S-EC\*, ATP06-4S-MM\*  
 (\* = MODIFICATIONS AND COLORS)

ATP06-4S-NC12		DESCRIPTION		ITEM
PART NUMBER		DESCRIPTION		ITEM
QUANTITY	<b>MATERIALS LIST</b>			
<small>UNLESS OTHERWISE SPECIFIED</small> 1) All dimensions are in metric(mm). 2) Tolerances are as follows: 1 PL DEC ±0.30    Fractions ±1/64 2 PL DEC ±0.15    Angles ±1° 3 PL DEC ±0.08 3) Note reference =		SIGNATURES    DATE DRAWN: TOM    Jan-16-15 CHECKED: ENGINEER: APPROVAL: CUSTOMER:		 Sine Systems - www.amphenol-sine.com 44724 Morley Drive Clinton Township, MI 48036
MATERIAL SPECIFICATIONS:		THIS DRAWING IS SUPPLIED FOR INFORMATION ONLY. DESIGN FEATURES, SPECIFICATIONS AND PERFORMANCE DATA SHOWN HEREON ARE THE PROPERTY OF THE AMPHENOL CORPORATION. NO RIGHTS OF REPRODUCTION ARE IMPLIED. ALL DIMENSIONS ARE SUBJECT TO NORMAL MANUFACTURING VARIATIONS.		
PROCESS SPECIFICATIONS:		SIZE: <b>A</b>	TYPE: <b>C-</b>	REVISION: <b>A2</b>
NEXT ASSY:		DWG NO: <b>ATP06-4S-NC12</b>		
		SCALE: <b>NONE</b>	SHEET <b>1</b> OF <b>1</b>	