

(ADC32J4X Channel A)
ADC34J4X
Channel A and D Input
Sheet 2

(ADC32J4X Channel B)
ADC34J4X
Channel B and C Input
Sheet 3

ADC32J4X / ADC34J4X
Sheet 4

AMPLIFIER
Sheet 5

LMK04828
Clock Input
Sheet 6

LMK04828
Inputs & Outputs
Sheet 7

LMK04828
Power & Config
Sheet 8

FMC Connector
Sheet 9

POWER SUPPLY
Sheet 10

POWER SUPPLY
Sheet 11

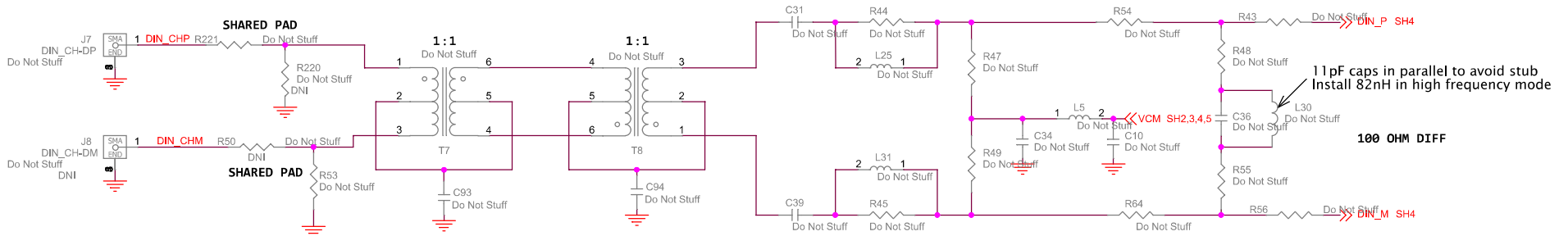
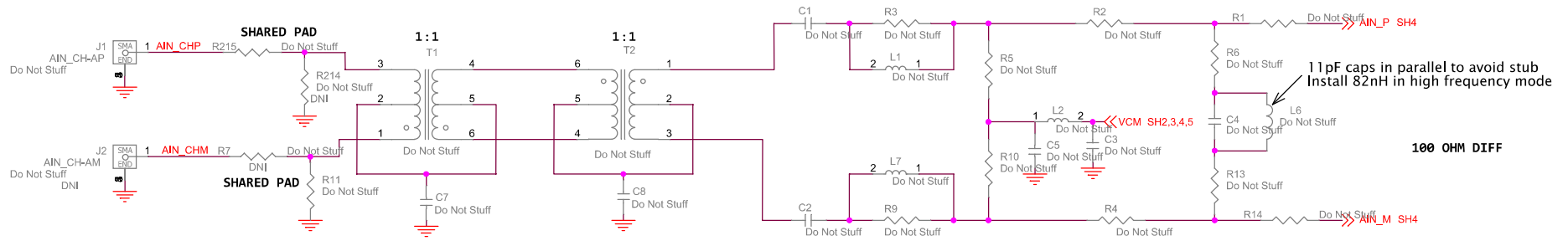
USB Interface
Sheet 12



Title		
ADC32JXX/ADC34JXX		
Size	Document Number	Rev
B	ADC3XJXX EVM	C
Date:		Sheet
Monday, August 04, 2014		1 of 12

Engineer: Chan Ken
PCB: Kim Le

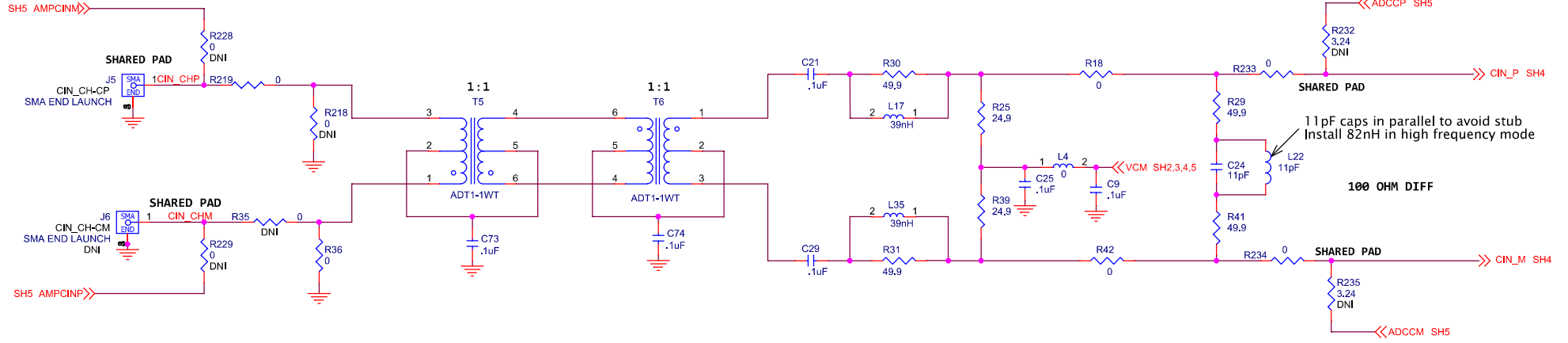
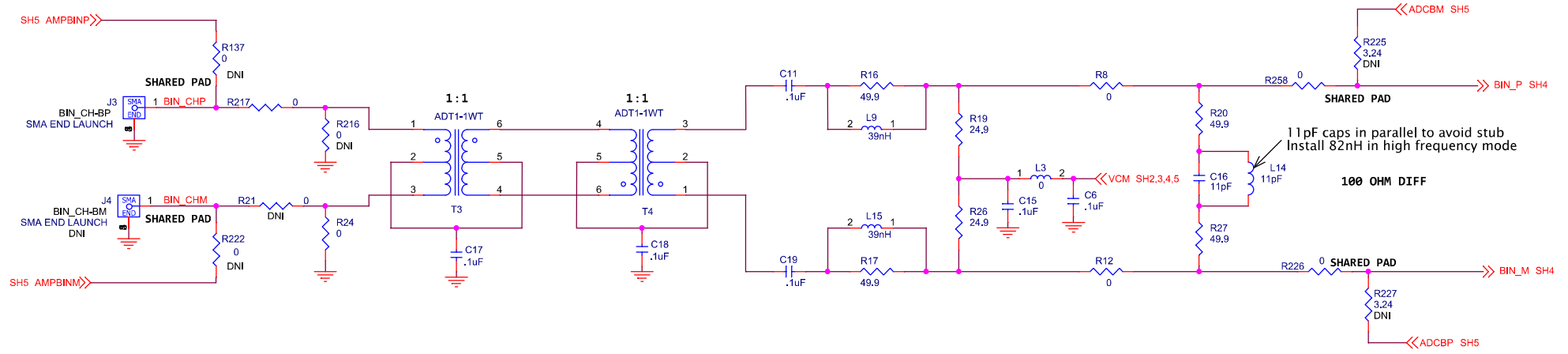
DNI this page for ADC32JXX



ADC34J4X CHANNEL A, D INPUT



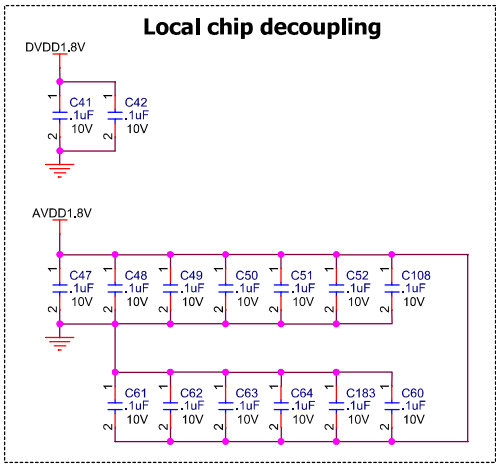
Title		
Size B	Document Number ADC3JXX EVM	Rev C
Date: Monday, August 04, 2014	Sheet 2 of 12	



ADC34J4X CHANNEL B, C INPUT
 ADC32J4X CHANNEL A, B INPUT



Title		
Size B	Document Number ADC3XJXX EVM	Rev C
Date: Monday, August 04, 2014	Sheet 3 of 12	

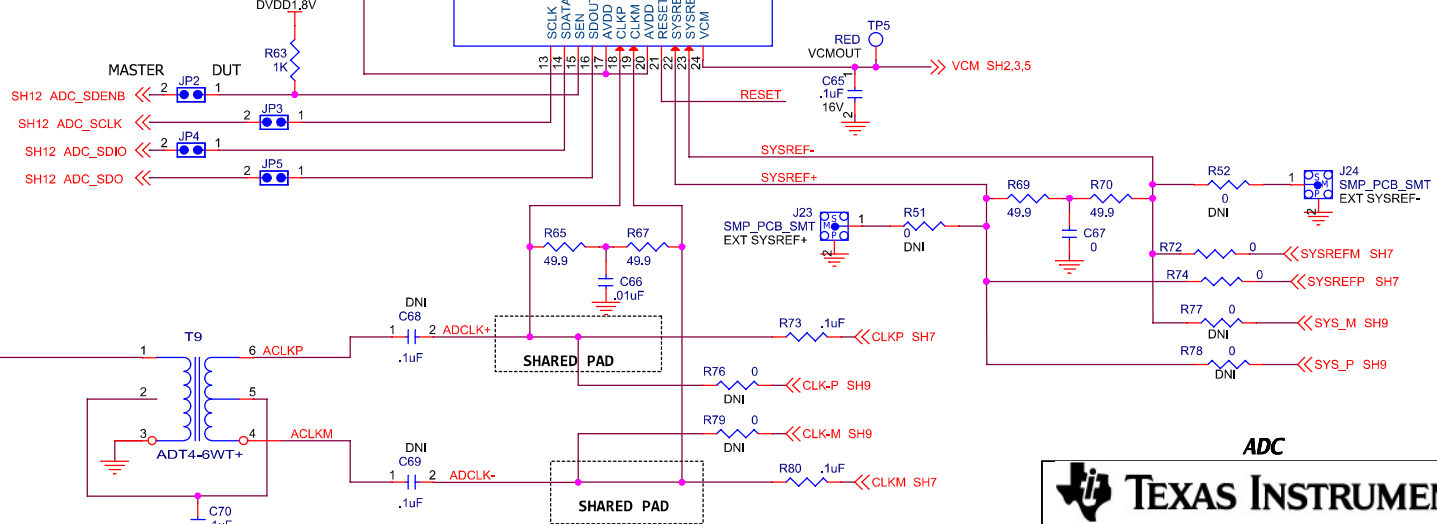
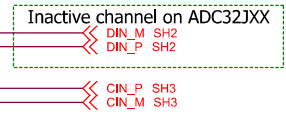
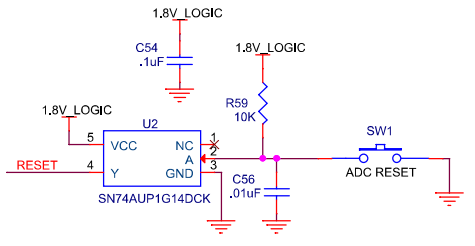
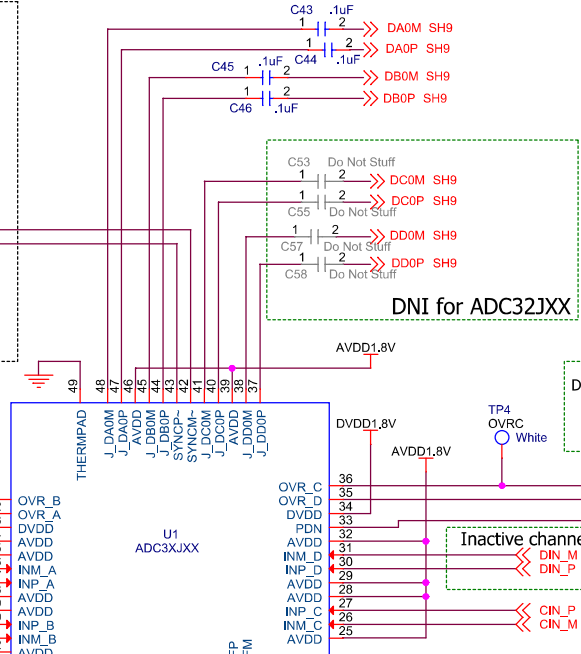
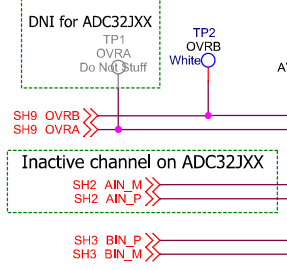
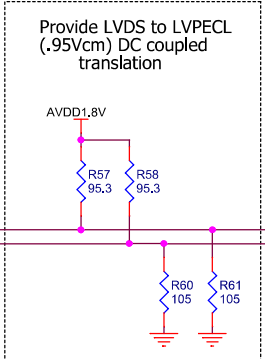
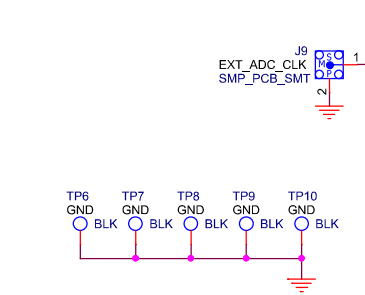


ADC CLK

	LVPECL AC (default):	LCPECL	XFMR
R200, R201 (sh6)	0 ohm	7.5 ohm	
R204, R205 (sh6)	240 ohm	DNI	
R65, R67	50 ohm	50 ohm	100 ohm
R76, R79	DNI	DNI	DNI
R73, R80	0.1uF	0 ohm	DNI
C68, C69	DNI	DNI	0.1uF
C66	0.1uF	DNI	0.1uF

ADC SYSREF

	LVPECL AC	LCPECL (default):
R202, R203 (sh6)	0 ohm	7.5 ohm
R106, R107 (sh6)	240 ohm	DNI
R69, R70	50 ohm	50 ohm
R77, R78	DNI	DNI
R72, R74	0.1uF	0 ohm
C67	0.1uF	0 ohm

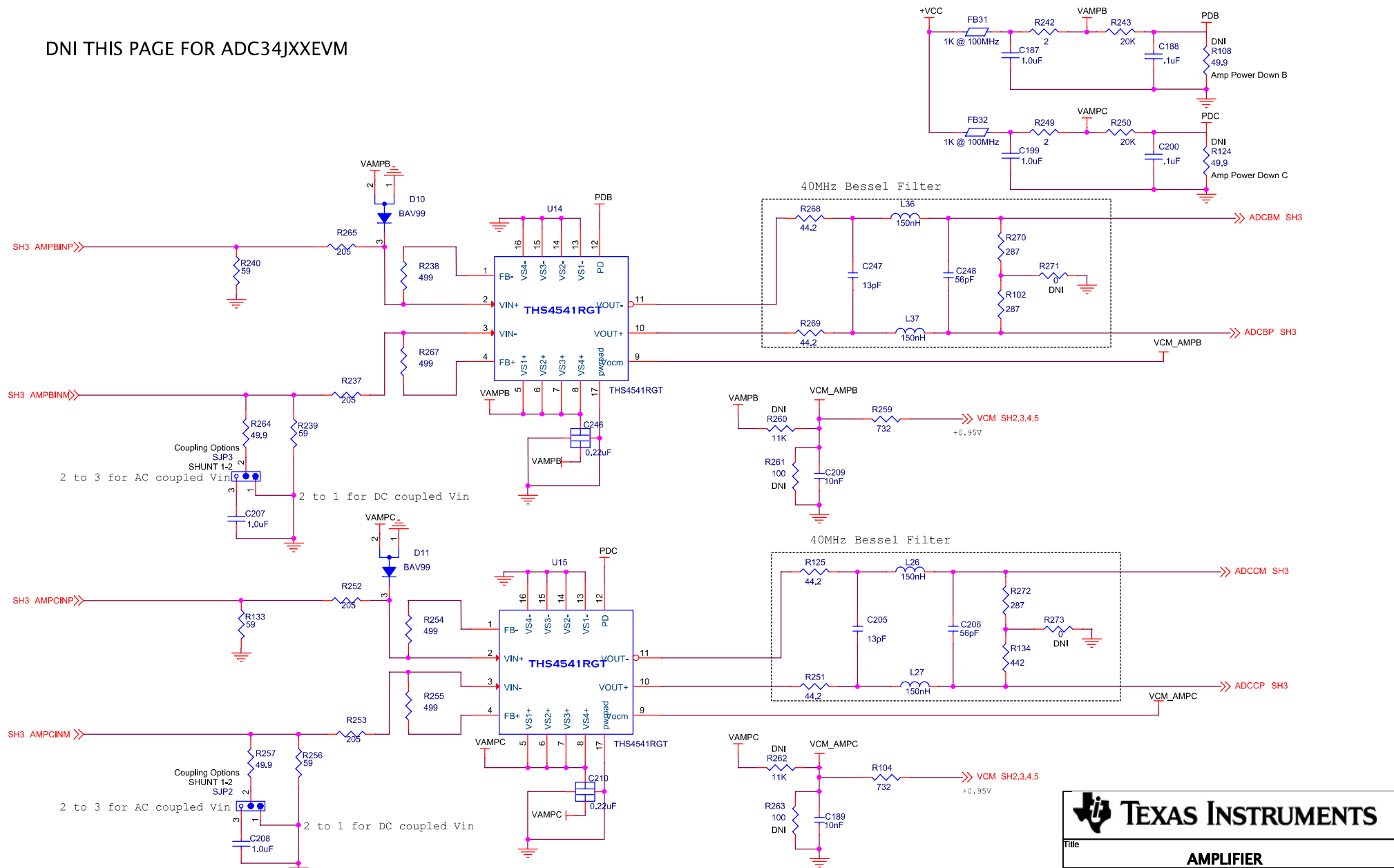


ADC

TEXAS INSTRUMENTS

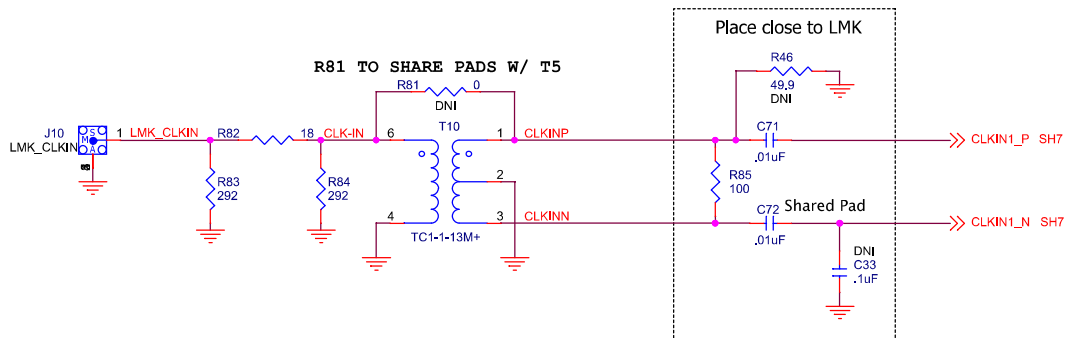
Title		
Size B	Document Number ADC32JXX EVB	Rev C
Date: Monday, August 04, 2014	Sheet 4	of 12

DNI THIS PAGE FOR ADC34JXXEVM

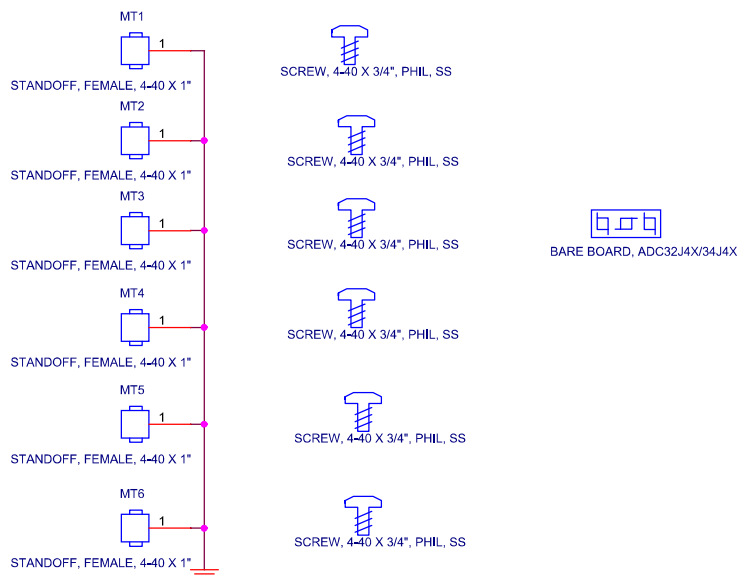


TEXAS INSTRUMENTS


Title		
AMPLIFIER		
Size	Document Number	Rev
B	ADC3JXX EVM	C
Date:	Monday, August 04, 2014	Sheet 5 of 12

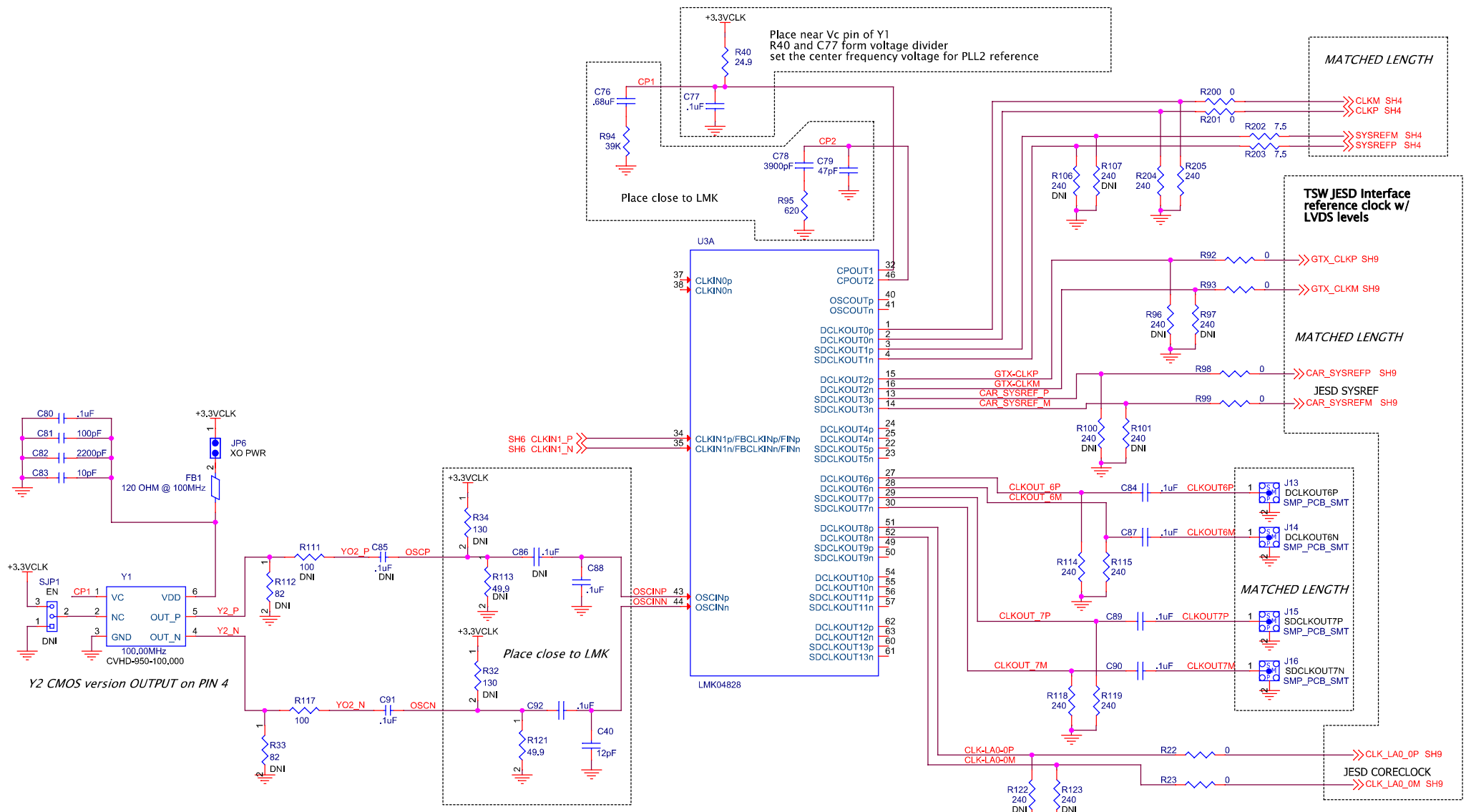


MECHANICAL PARTS



CLOCK INPUT

 TEXAS INSTRUMENTS		
Title: SH06 - CLOCK INPUT		
Size: B	Document Number: ADC3XJXX EVM	Rev: C
Date: Monday, August 04, 2014 Sheet 6 of 12		



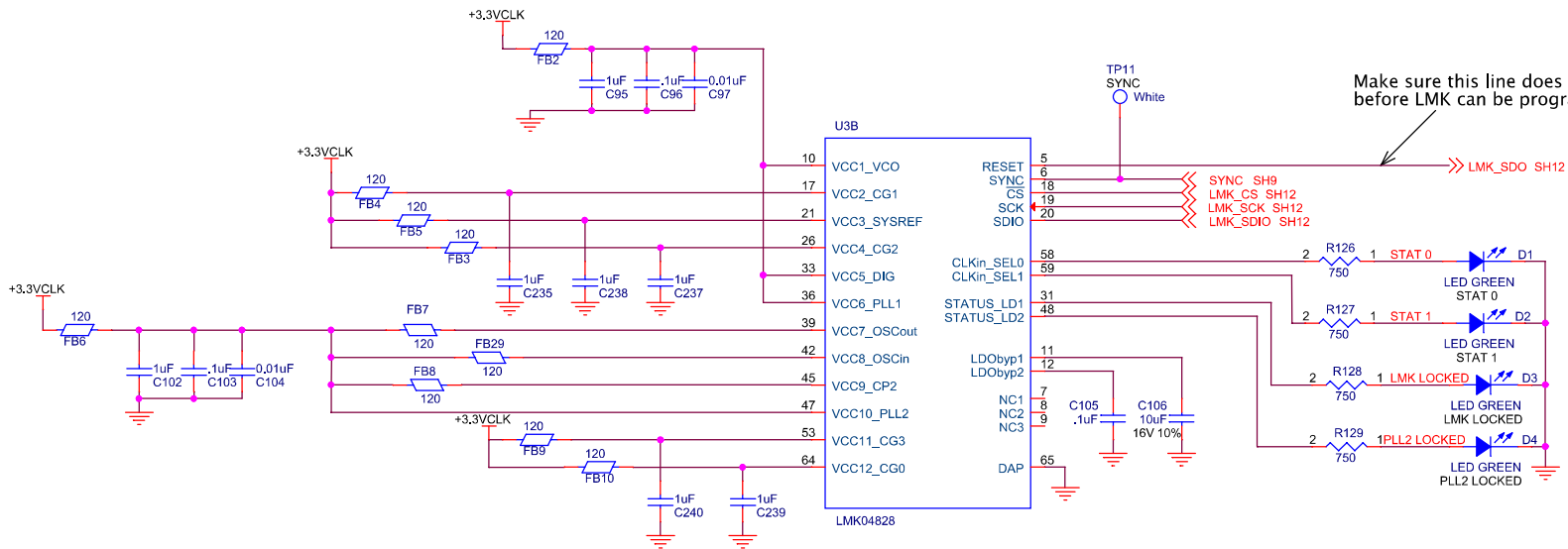
TEXAS INSTRUMENTS

Title: **SH07 - LMK INPUTS & OUTPUTS**

Size: **B** Document Number: **ADC3JXX EVM** Rev: **C**

Date: **Monday, August 04, 2014** Sheet: **7** of **12**

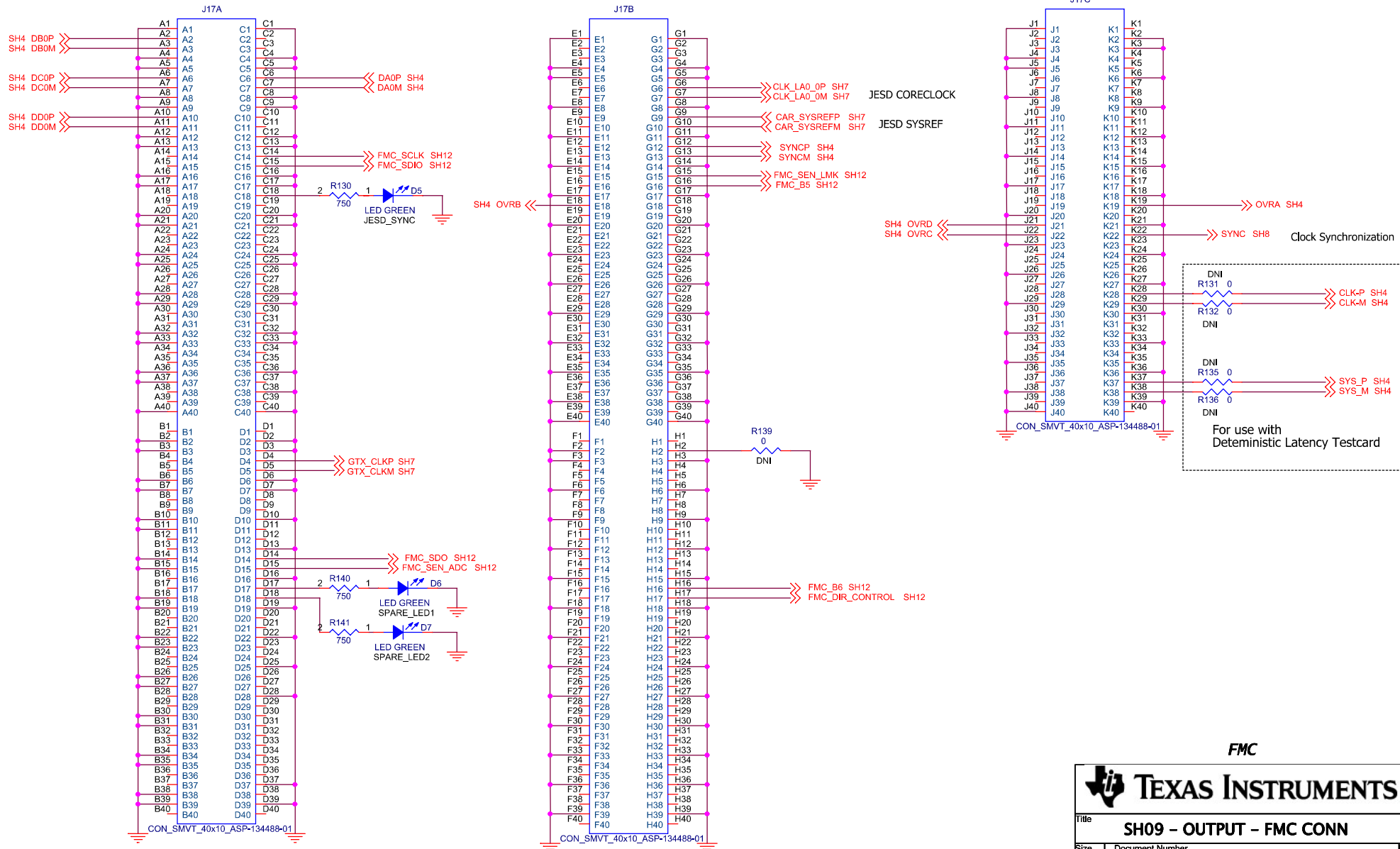
LMK



LMK

TEXAS INSTRUMENTS

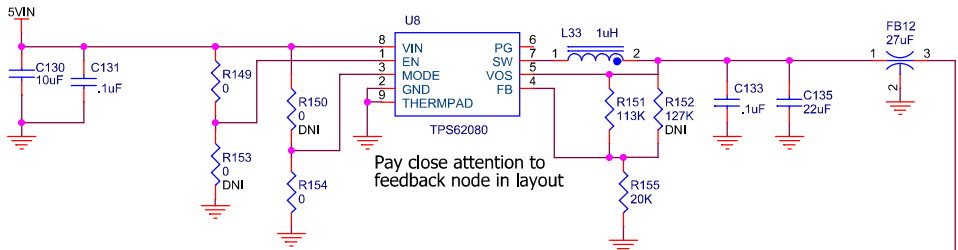
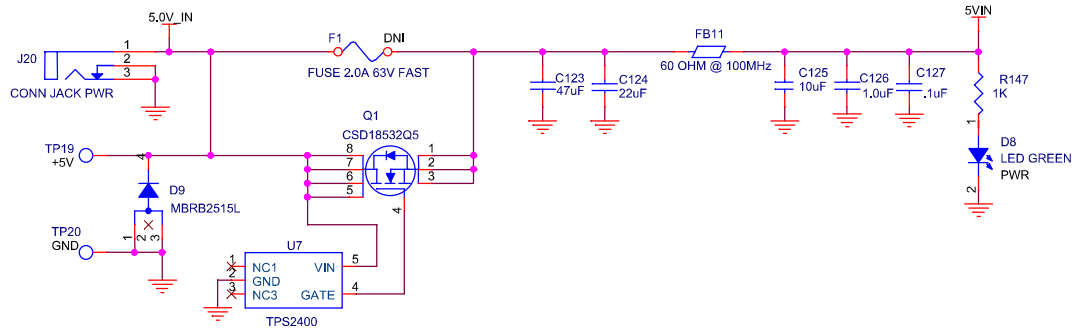
Title SH08 - LMK POWER & CONF		
Size B	Document Number ADC3XJXX EVM	Rev C
Date: Monday, August 04, 2014 Sheet 8 of 12		



FMC

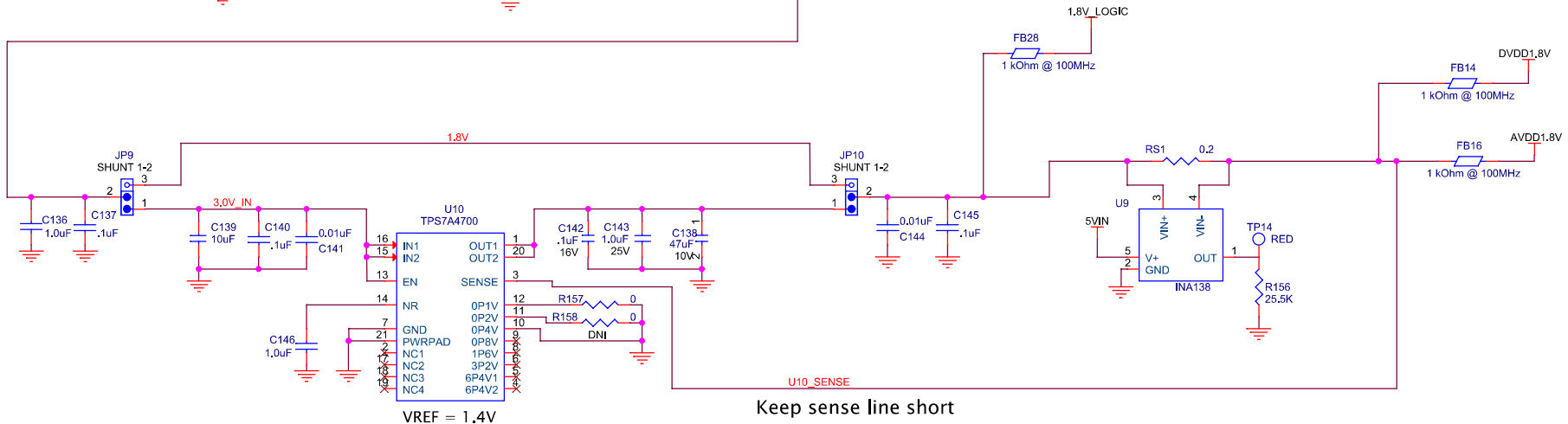


Title		
SH09 - OUTPUT - FMC CONN		
Size	Document Number	Rev
B	ADC3JXX EVM	C
Date:	Monday, August 04, 2014	Sheet 9 of 12



U8 output = 3.0V
For 1.8V, install R152

Pay close attention to feedback node in layout



Keep sense line short

VREF = 1.4V

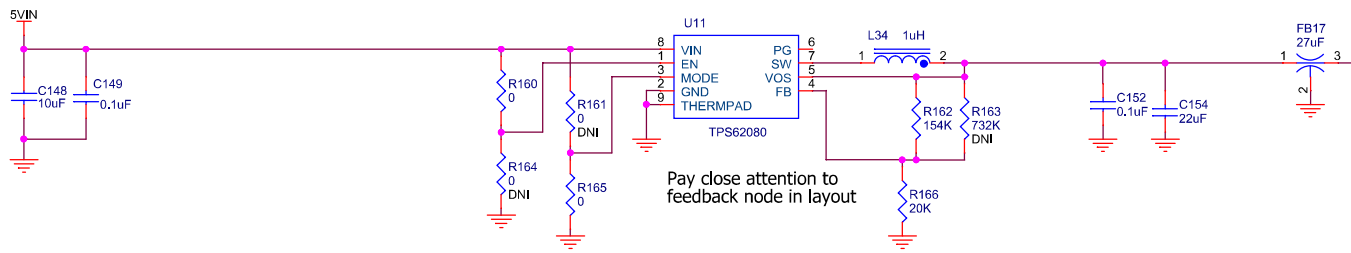
1.8V

TEXAS INSTRUMENTS

Title: **SH10 - POWER SUPPLIES**

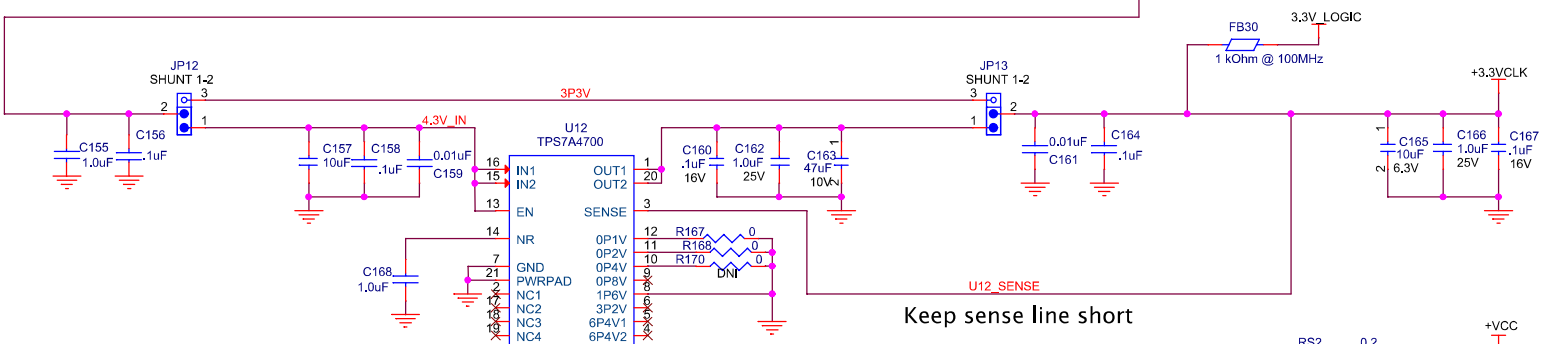
Size **B** Document Number **ADC3XJXX EVM** Rev **C**

Date: Monday, September 08, 2014 Sheet 10 of 12

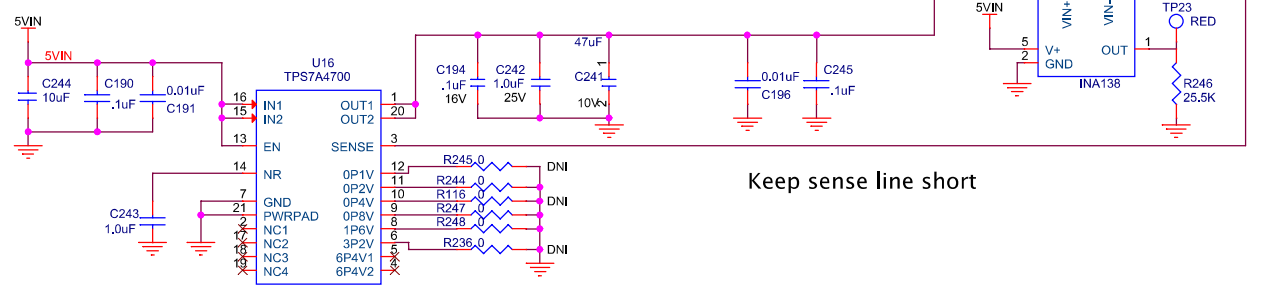


U11 output = 4.0V
For 3.3V, install R163

Pay close attention to feedback node in layout



Keep sense line short



Keep sense line short

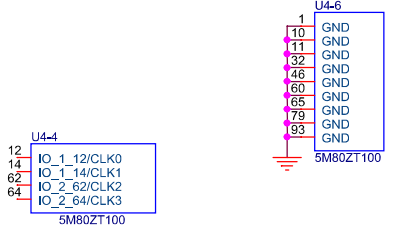
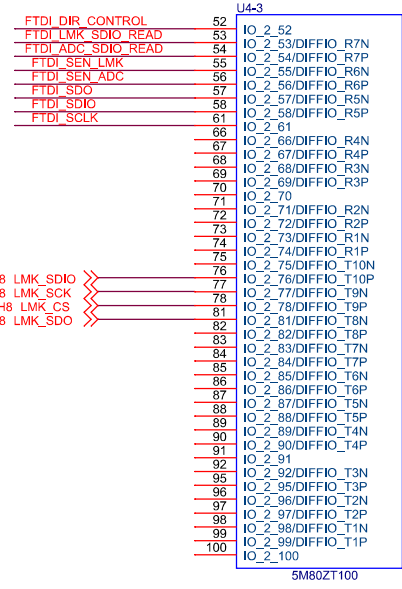
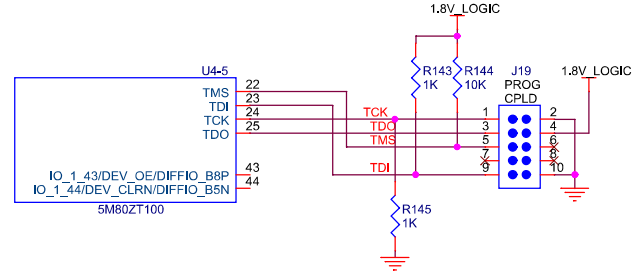
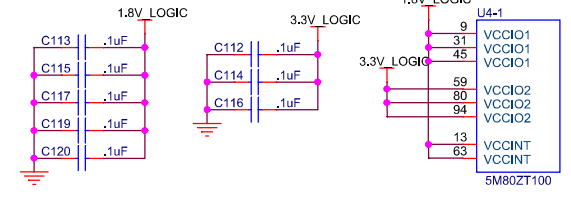
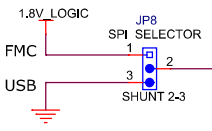
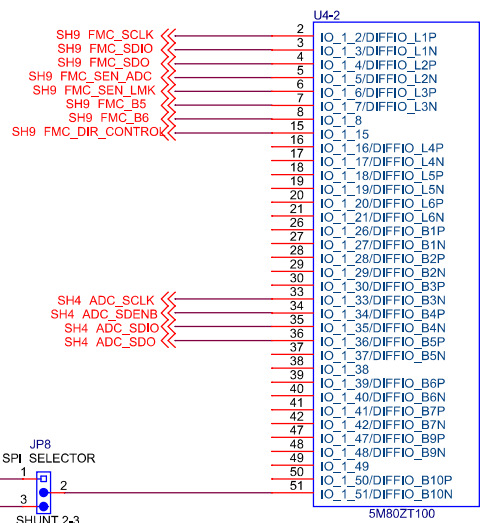
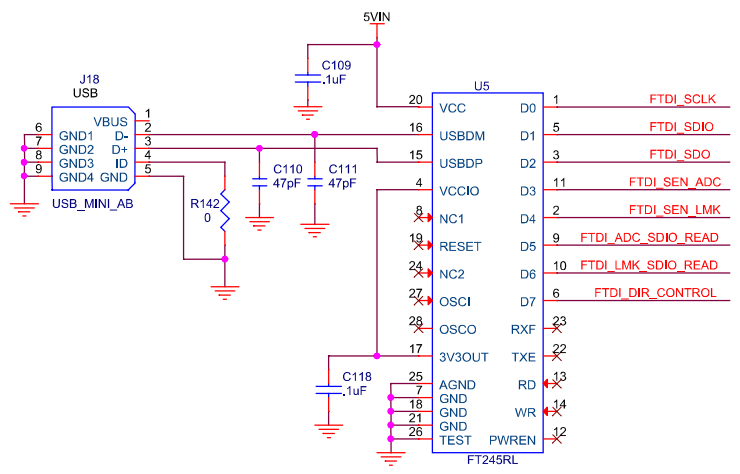
Default output is $1.4V + 0.2 + 0.8 + 1.6 = 4V$

3.3V



Title		
SH11 - POWER SUPPLIES		
Size	Document Number	Rev
B	ADC3XJXX EVM	C
Date:	Monday, August 04, 2014	Sheet 11 of 12

DNI = DO NOT INSTALL



USB INTERFACE

TEXAS INSTRUMENTS

Title: **SH12 - USB INTERFACE**

Size **B** Document Number **ADC3XJXX EVM** Rev **C**

Date: Monday, August 04, 2014 Sheet 12 of 12