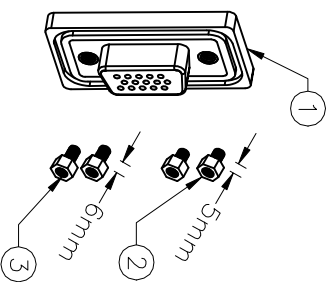
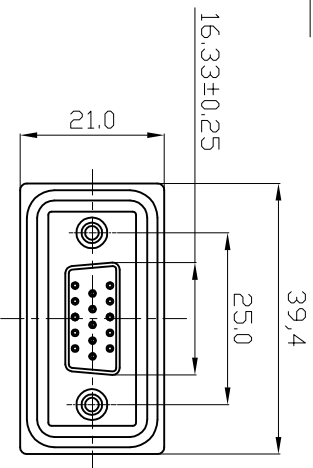
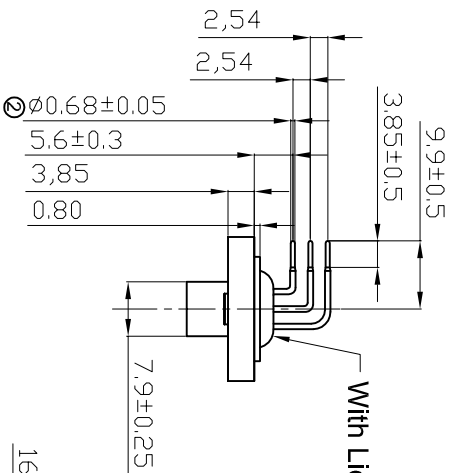
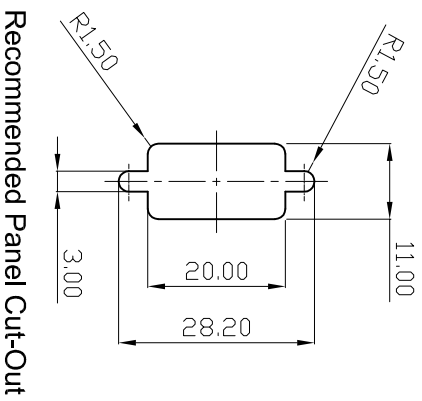
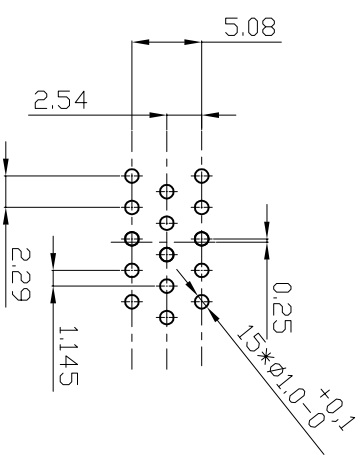


Panel Thickness
 Screw L=5.0 For Panel Thickness
 Under 1.2mm
 Screw L=6.0 For Panel Thickness
 Between 1.2-2.0mm



- NOTES:**
- MATERIAL**
1. Insulator Material: Black, NYLON+G/F
 2. Contact Material : Copper Alloy
 3. Plating : Gold Plating
 4. Waterproof Rate: IP67
 5. Do Mating Test After Glued



15 Pin Female Connector
 PCB Pin Layout
 Scale 2:1

RoHS compliant
 Unit: mm

Scale	Free						
TOLERANCE							
X.X	±0.25				Drawn	24.12.2008	JACK
X.XX	±0.10				Approved	18.01.2018	Amy
X.XXX	±0.05						
DIM		TOL					
Angle		±1°					
Angle		±1°					
Angle		TOL					
Change dimensions			②	18.01.2018	Amy		
Drawn			①	24.12.2008	JACK		
Modification							

Customer-No.

Name

Date

24.12.2008

JACK

18.01.2018

Amy

ASSMANN WSW-No. A-HDF 15 AA-WP

Drawing-No.

ASS 3269 CO rev02

Replace

ASS 3269 CO

Sheet

1

2

3

4

5

6

7

H

G

F

E

D

C

B

A