

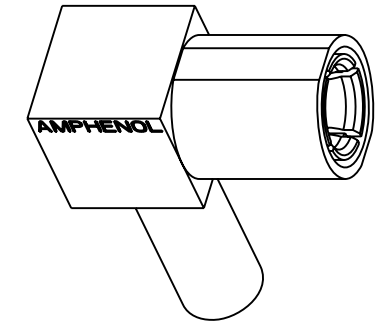
NOTES:

1. MATERIALS AND FINISHES:
 BODY- ZAMAK 3, NICKEL PLATING
 OUTER CONTACT- BRASS, NICKEL PLATING
 CONTACT - BERYLLIUM COPPER, GOLD PLATING
 INSULATOR - PTFE, NATURAL
2. ELECTRICAL:
 A. IMPEDANCE: 50 OHM
 B. FREQUENCY RANGE: DC 0-4 GHz
 C. VSWR(RETURN LOSS): 1.5, MAX.
 D. DIELECTRIC WITHSTANDING VOLTAGE: 1000 VRMS, MIN.
3. MECHANICAL:
 A. DURABILITY: 500 CYCLES MIN.
 B. TEMPERATURE RANGE: -65° C TO +165° C
4. CRIMPED FERRULE HEX CRIMP SIZE .128"

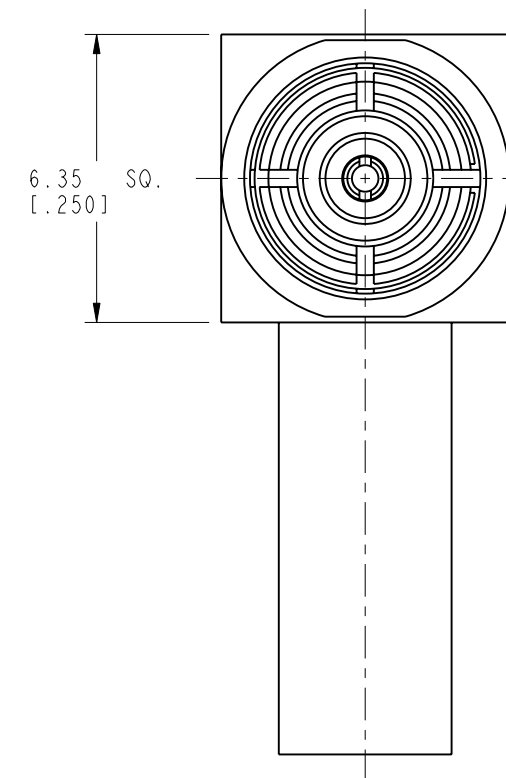
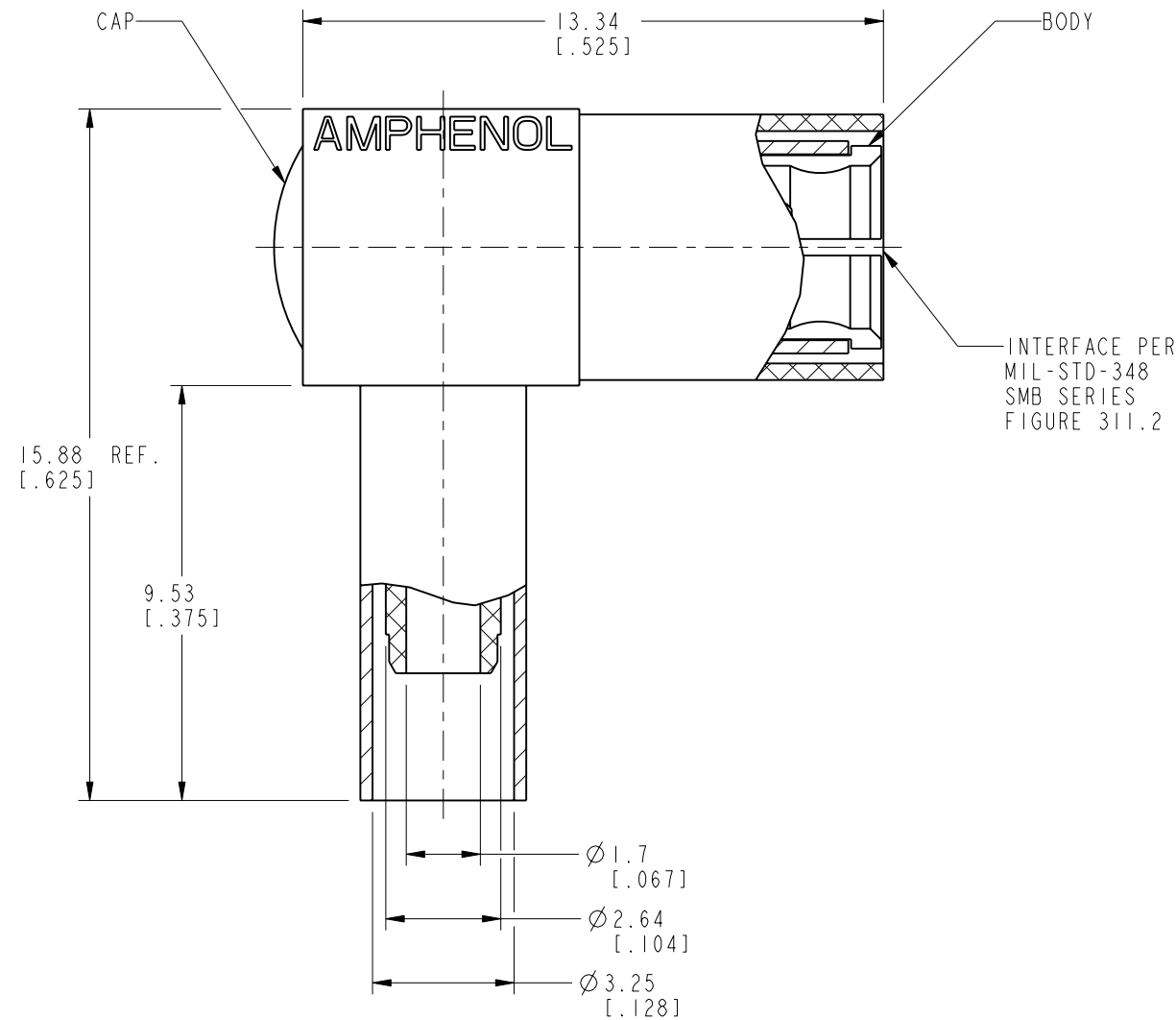
THIRD ANGLE PROJ.

REVISIONS

REV	DESCRIPTION	DATE	ECO	APPR
A	RELEASE TO MFG.	04-Mar-93	39256	PB/RAV
G	CAP AND BODY WERE CHANGED\RD-DM110301011	15-Mar-11	48113	SH
H	ADDED THE BOM FOR CHINA	24-Oct-17	05562	SH



SCALE 3.000



CUSTOMER OUTLINE DRAWING

ALL OTHER SHEETS ARE FOR INTERNAL USE ONLY

UNLESS OTHERWISE SPECIFIED, DIMENSIONS ARE IN METRIC AND TOLERANCES ARE: <0.5mm ±0.05mm 0.5 - 6mm ±0.1mm 6 - 30mm ±0.2mm 30 - 120mm ±0.3mm ANGLES ±1°	MATERIAL	DRAWN M. ZHANG	DATE 23-Oct-17	TITLE SMB 50 OHM ANGLE PLUG FOR RG-316/U	Amphenol RF www.amphenolrf.com
	REFERENCE EAR 111-963508 615X-1145-100	ENGINEER R. VACCARO	DATE 25-Jan-93		
NOTICE - These drawings, specifications, or other data (1) are, and remain the property of Amphenol corp. (2) must be returned upon request; and (3) are confidential and not to be disclosed to any person other than those to whom they are given by Amphenol Corp. the furnishing of these drawings, specifications, or other data by Amphenol Corp., or to any other person to anyone for any purpose is not to be regarded by implication or otherwise in any manner licensing, granting rights to permitting such holder or any other person to manufacture, use or sell any product, process or design, patented or otherwise, that may in any way be related to or disclosed by said drawings, specifications, or other data.	CONFIGURATION LEVEL:	APPROVED S. HSIEH	DATE 23-Oct-17	SCALE: 6.0:1.0	SHEET 2 OF 2
	FINISH	CAD FILE	DWG SIZE B	REV H	ITEM NO. 903-367P-51A2