



# TE Connectivity

Product Change Notification: E-19-008673

TE would like to inform you of the following change(s) to the listed TE Connectivity Product. In case of any further questions about this change(s), please contact your TE Connectivity Sales Engineer. Affected part, drawing and/or specification numbers are listed on the attached sheet(s).

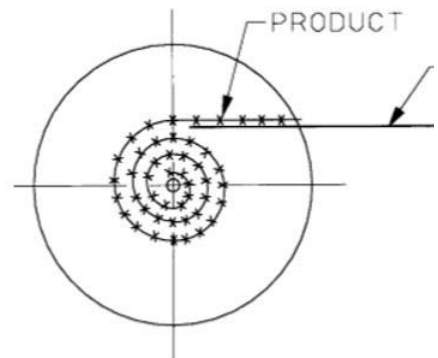
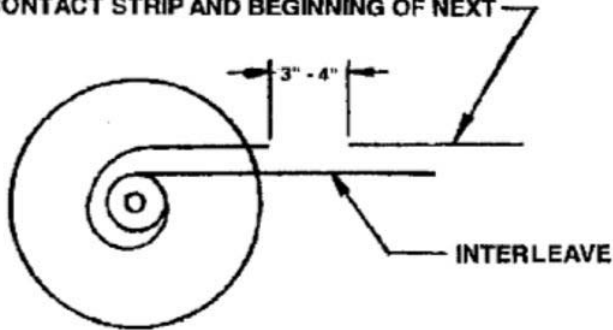
**General Product Description:**  
 Changing the current splice method to paper splice for ease of operation and efficiency improvement for customers.

**Description of Changes**  
 Following part numbers are changed the current splice methods to paper splice for ease the operation and efficiency improvement for customers

Splice

- 1) Paper Splice (115-25007-2)-Interleave paper type
- 2) Paper Splice (115-25007-2)-Interleave paper type

**NEW CONTACT STRIP (DO NOT WIRE, WELD OR OTHERWISE SPLICE TOGETHER) MUST BE 3 - 4 INCHES BETWEEN END OF ONE CONTACT STRIP AND BEGINNING OF NEXT**



**Reason for Changes:**  
 Product Improvement. Product Improvement. Dear Customer, because of our continuous strive for improving our product quality and customer process efficiency, we hereby inform you about the changing the current splice method to paper splice method. The new splice method is changed by following a strict procedure, which guarantees quality, ability to supply and form-fit-function of the concerned products. The new splice method is under a certified quality management system according the standard industry requirements. An internal release based on our specifications will be executed before any parts will be delivered, which guarantees the performance.

Estimated Dates:	
Last Order Date (Obsolete Parts Only):	First Date To Ship (Changed Parts Only):
	25-SEP-2019
Last Ship Date (Obsolete Parts Only):	Last Date for Mixed Shipments: (Changed Parts Only):
	30-SEP-2019

Part Number(s) being Modified:

Part Number	Part Discontinued per PCN	Customer Drawing	Customer Part Number	Alias Part Number(s)	Substitute Part Number	Substitute Alias Part Number(s)	Description Of Difference
<a href="#">1-1742539-3</a>	NO						
<a href="#">1217029-1</a>	NO						
<a href="#">1217065-1</a>	NO						
<a href="#">1217073-1</a>	NO						
<a href="#">1217128-1</a>	NO						
<a href="#">1742539-3</a>	NO						
<a href="#">2328510-1</a>	NO						
<a href="#">2825180-2</a>	NO						
<a href="#">2825380-1</a>	NO						
<a href="#">62341-1</a>	NO						
<a href="#">62609-1</a>	NO						
<a href="#">62651-1</a>	NO						

Part Number	Part Discontinued per PCN	Customer Drawing	Customer Part Number	Alias Part Number(s)	Substitute Part Number	Substitute Alias Part Number(s)	Description Of Difference
<a href="#">62652-1</a>	NO						
<a href="#">62781-1</a>	NO						
<a href="#">62904-1</a>	NO						
<a href="#">62923-1</a>	NO						
<a href="#">63063-2</a>	NO						
<a href="#">63064-1</a>	NO						
<a href="#">63128-3</a>	NO						
<a href="#">63132-3</a>	NO						
<a href="#">63136-1</a>	NO						
<a href="#">63200-1</a>	NO						
<a href="#">63397-1</a>	NO						
<a href="#">63425-1</a>	NO						
<a href="#">63465-1</a>	NO						
<a href="#">63481-1</a>	NO						
<a href="#">63481-2</a>	NO						
<a href="#">63486-1</a>	NO						
<a href="#">63489-1</a>	NO						
<a href="#">63497-1</a>	NO						
<a href="#">63499-1</a>	NO						
<a href="#">63506-1</a>	NO						
<a href="#">63561-1</a>	NO						
<a href="#">63562-1</a>	NO						
<a href="#">63564-1</a>	NO						
<a href="#">63569-1</a>	NO						
<a href="#">63570-1</a>	NO						
<a href="#">63571-1</a>	NO						
<a href="#">63585-1</a>	NO						
<a href="#">63601-2</a>	NO						
<a href="#">63663-1</a>	NO						
<a href="#">63663-2</a>	NO						
<a href="#">63664-1</a>	NO						
<a href="#">63664-2</a>	NO						
<a href="#">63665-1</a>	NO						
<a href="#">63667-1</a>	NO						
<a href="#">63668-1</a>	NO						
<a href="#">63669-1</a>	NO						
<a href="#">63775-1</a>	NO						
<a href="#">63808-1</a>	NO						

The documents listed below are being modified. Related parts that are not explicitly listed on this PCN are not being modified or discontinued as per the PCN. The Last Order Date, Last Ship Dat apply only to parts explicitly listed on this PCN.

**Customer Drawing(s) Being Modified:**

Drawing Number	Related Part Number	Customer Part Number	Current Revision	New Revision
<a href="#">62781</a>	62781-1		S	
<a href="#">63658</a>	63658-5, 63658-1		N11	

**Part Number(s) being Modified:**

Part Number	Part Discontinued per PCN	Customer Drawing	Customer Part Number	Alias Part Number(s)	Substitute Part Number	Substitute Alias Part Number(s)	Description Of Difference
<a href="#">1217029-1</a>	NO						
<a href="#">1217073-1</a>	NO						
<a href="#">1742539-3</a>	NO						
<a href="#">62652-1</a>	NO						
<a href="#">62781-1</a>	NO						
<a href="#">63128-3</a>	NO						
<a href="#">63132-3</a>	NO						
<a href="#">63200-1</a>	NO						
<a href="#">63481-1</a>	NO						
<a href="#">63481-2</a>	NO						
<a href="#">63486-1</a>	NO						
<a href="#">63499-1</a>	NO						
<a href="#">63506-1</a>	NO						
<a href="#">63561-1</a>	NO						
<a href="#">63562-1</a>	NO						
<a href="#">63564-1</a>	NO						
<a href="#">63569-1</a>	NO						
<a href="#">63571-1</a>	NO						

Part Number	Part Discontinued per PCN	Customer Drawing	Customer Part Number	Alias Part Number(s)	Substitute Part Number	Substitute Alias Part Number(s)	Description Of Difference
<a href="#">63601-2</a>	NO						
<a href="#">63663-1</a>	NO						
<a href="#">63665-1</a>	NO						
<a href="#">63667-1</a>	NO						
<a href="#">63775-1</a>	NO						

Part Number(s) being Modified:

Part Number	Part Discontinued per PCN	Customer Drawing	Customer Part Number	Alias Part Number(s)	Substitute Part Number	Substitute Alias Part Number(s)	Description Of Difference
<a href="#">1-1742539-3</a>	NO						
<a href="#">1217029-1</a>	NO						
<a href="#">1217073-1</a>	NO						
<a href="#">1217128-1</a>	NO						
<a href="#">1742539-3</a>	NO						
<a href="#">62341-1</a>	NO						
<a href="#">62609-1</a>	NO						
<a href="#">62652-1</a>	NO						
<a href="#">62781-1</a>	NO						
<a href="#">62904-1</a>	NO						
<a href="#">62923-1</a>	NO						
<a href="#">63064-1</a>	NO						
<a href="#">63128-3</a>	NO						
<a href="#">63136-1</a>	NO						
<a href="#">63397-1</a>	NO						
<a href="#">63425-1</a>	NO						
<a href="#">63465-1</a>	NO						
<a href="#">63481-1</a>	NO						
<a href="#">63486-1</a>	NO						
<a href="#">63489-1</a>	NO						
<a href="#">63497-1</a>	NO						
<a href="#">63506-1</a>	NO						
<a href="#">63561-1</a>	NO						
<a href="#">63564-1</a>	NO						
<a href="#">63571-1</a>	NO						
<a href="#">63585-1</a>	NO						
<a href="#">63663-1</a>	NO						
<a href="#">63664-1</a>	NO						
<a href="#">63665-1</a>	NO						
<a href="#">63775-1</a>	NO						

Part Number(s) being Modified:

Part Number	Part Discontinued per PCN	Customer Drawing	Customer Part Number	Alias Part Number(s)	Substitute Part Number	Substitute Alias Part Number(s)	Description Of Difference
<a href="#">1-1742539-3</a>	NO						
<a href="#">1217029-1</a>	NO						
<a href="#">1217073-1</a>	NO						
<a href="#">1217128-1</a>	NO						
<a href="#">1742539-3</a>	NO						
<a href="#">62341-1</a>	NO						
<a href="#">62609-1</a>	NO						
<a href="#">62652-1</a>	NO						
<a href="#">62781-1</a>	NO						
<a href="#">62904-1</a>	NO						
<a href="#">62923-1</a>	NO						
<a href="#">63064-1</a>	NO						
<a href="#">63128-3</a>	NO						
<a href="#">63132-3</a>	NO						
<a href="#">63136-1</a>	NO						
<a href="#">63200-1</a>	NO						
<a href="#">63397-1</a>	NO						
<a href="#">63425-1</a>	NO						

Part Number	Part Discontinued per PCN	Customer Drawing	Customer Part Number	Alias Part Number(s)	Substitute Part Number	Substitute Alias Part Number(s)	Description Of Difference
<a href="#">63465-1</a>	NO						
<a href="#">63481-1</a>	NO						
<a href="#">63481-2</a>	NO						
<a href="#">63486-1</a>	NO						
<a href="#">63489-1</a>	NO						
<a href="#">63497-1</a>	NO						
<a href="#">63499-1</a>	NO						
<a href="#">63506-1</a>	NO						
<a href="#">63561-1</a>	NO						
<a href="#">63562-1</a>	NO						
<a href="#">63564-1</a>	NO						
<a href="#">63569-1</a>	NO						
<a href="#">63571-1</a>	NO						
<a href="#">63585-1</a>	NO						
<a href="#">63601-2</a>	NO						
<a href="#">63663-1</a>	NO						
<a href="#">63664-1</a>	NO						
<a href="#">63665-1</a>	NO						
<a href="#">63667-1</a>	NO						
<a href="#">63775-1</a>	NO						

The documents listed below are being modified. Related parts that are not explicitly listed on this PCN are not being modified or discontinued as per the PCN. The Last Order Date, Last Ship Date apply only to parts explicitly listed on this PCN.

**Customer Drawing(s) Being Modified:**

Drawing Number	Related Part Number	Customer Part Number	Current Revision	New Revision
<a href="#">62781</a>	62781-1		S	
<a href="#">63658</a>	63658-5		N11	

**Part Number(s) being Modified:**

Part Number	Part Discontinued per PCN	Customer Drawing	Customer Part Number	Alias Part Number(s)	Substitute Part Number	Substitute Alias Part Number(s)	Description Of Difference
<a href="#">1-1742539-3</a>	NO						
<a href="#">1217029-1</a>	NO						
<a href="#">1217065-1</a>	NO						
<a href="#">1217073-1</a>	NO						
<a href="#">1217128-1</a>	NO						
<a href="#">1742539-3</a>	NO						
<a href="#">2825180-2</a>	NO						
<a href="#">2825380-1</a>	NO						
<a href="#">62341-1</a>	NO						
<a href="#">62609-1</a>	NO						
<a href="#">62651-1</a>	NO						
<a href="#">62652-1</a>	NO						
<a href="#">62781-1</a>	NO						
<a href="#">62904-1</a>	NO						
<a href="#">62923-1</a>	NO						
<a href="#">63063-2</a>	NO						
<a href="#">63064-1</a>	NO						
<a href="#">63136-1</a>	NO						
<a href="#">63397-1</a>	NO						
<a href="#">63425-1</a>	NO						
<a href="#">63465-1</a>	NO						
<a href="#">63481-1</a>	NO						
<a href="#">63486-1</a>	NO						
<a href="#">63497-1</a>	NO						
<a href="#">63499-1</a>	NO						
<a href="#">63506-1</a>	NO						
<a href="#">63561-1</a>	NO						
<a href="#">63564-1</a>	NO						
<a href="#">63569-1</a>	NO						
<a href="#">63570-1</a>	NO						
<a href="#">63571-1</a>	NO						
<a href="#">63585-1</a>	NO						
<a href="#">63663-1</a>	NO						
<a href="#">63663-2</a>	NO						
<a href="#">63664-1</a>	NO						
<a href="#">63664-2</a>	NO						

Part Number	Part Discontinued per PCN	Customer Drawing	Customer Part Number	Alias Part Number(s)	Substitute Part Number	Substitute Alias Part Number(s)	Description Of Difference
<a href="#">63665-1</a>	NO						
<a href="#">63667-1</a>	NO						
<a href="#">63668-1</a>	NO						
<a href="#">63669-1</a>	NO						
<a href="#">63775-1</a>	NO						
<a href="#">63808-1</a>	NO						

The documents listed below are being modified. Related parts that are not explicitly listed on this PCN are not being modified or discontinued as per the PCN. The Last Order Date, Last Ship Dat apply only to parts explicitly listed on this PCN.

Customer Drawing(s) Being Modified:

Drawing Number	Related Part Number	Customer Part Number	Current Revision	New Revision
<a href="#">62781</a>	62781-1		S	
<a href="#">63658</a>	63658-1		N11	

Part Number(s) being Modified:

Part Number	Part Discontinued per PCN	Customer Drawing	Customer Part Number	Alias Part Number(s)	Substitute Part Number	Substitute Alias Part Number(s)	Description Of Difference
<a href="#">1-1742539-3</a>	NO						
<a href="#">1217029-1</a>	NO						
<a href="#">1217065-1</a>	NO						
<a href="#">1217073-1</a>	NO						
<a href="#">1217128-1</a>	NO						
<a href="#">1742539-3</a>	NO						
<a href="#">2328510-1</a>	NO						
<a href="#">2825180-2</a>	NO						
<a href="#">2825380-1</a>	NO						
<a href="#">62341-1</a>	NO						
<a href="#">62609-1</a>	NO						
<a href="#">62651-1</a>	NO						
<a href="#">62652-1</a>	NO						
<a href="#">62781-1</a>	NO						
<a href="#">62904-1</a>	NO						
<a href="#">62923-1</a>	NO						
<a href="#">63063-2</a>	NO						
<a href="#">63064-1</a>	NO						
<a href="#">63128-3</a>	NO						
<a href="#">63136-1</a>	NO						
<a href="#">63397-1</a>	NO						
<a href="#">63425-1</a>	NO						
<a href="#">63465-1</a>	NO						
<a href="#">63481-1</a>	NO						
<a href="#">63486-1</a>	NO						
<a href="#">63497-1</a>	NO						
<a href="#">63499-1</a>	NO						
<a href="#">63506-1</a>	NO						
<a href="#">63561-1</a>	NO						
<a href="#">63564-1</a>	NO						
<a href="#">63569-1</a>	NO						
<a href="#">63570-1</a>	NO						
<a href="#">63571-1</a>	NO						
<a href="#">63585-1</a>	NO						
<a href="#">63663-1</a>	NO						
<a href="#">63663-2</a>	NO						
<a href="#">63664-1</a>	NO						
<a href="#">63664-2</a>	NO						
<a href="#">63665-1</a>	NO						
<a href="#">63667-1</a>	NO						
<a href="#">63668-1</a>	NO						
<a href="#">63669-1</a>	NO						
<a href="#">63775-1</a>	NO						
<a href="#">63808-1</a>	NO						