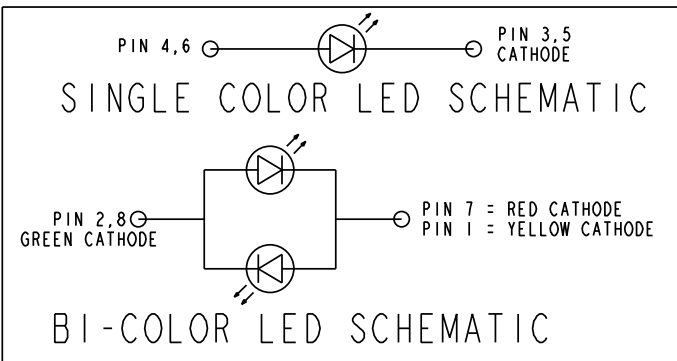
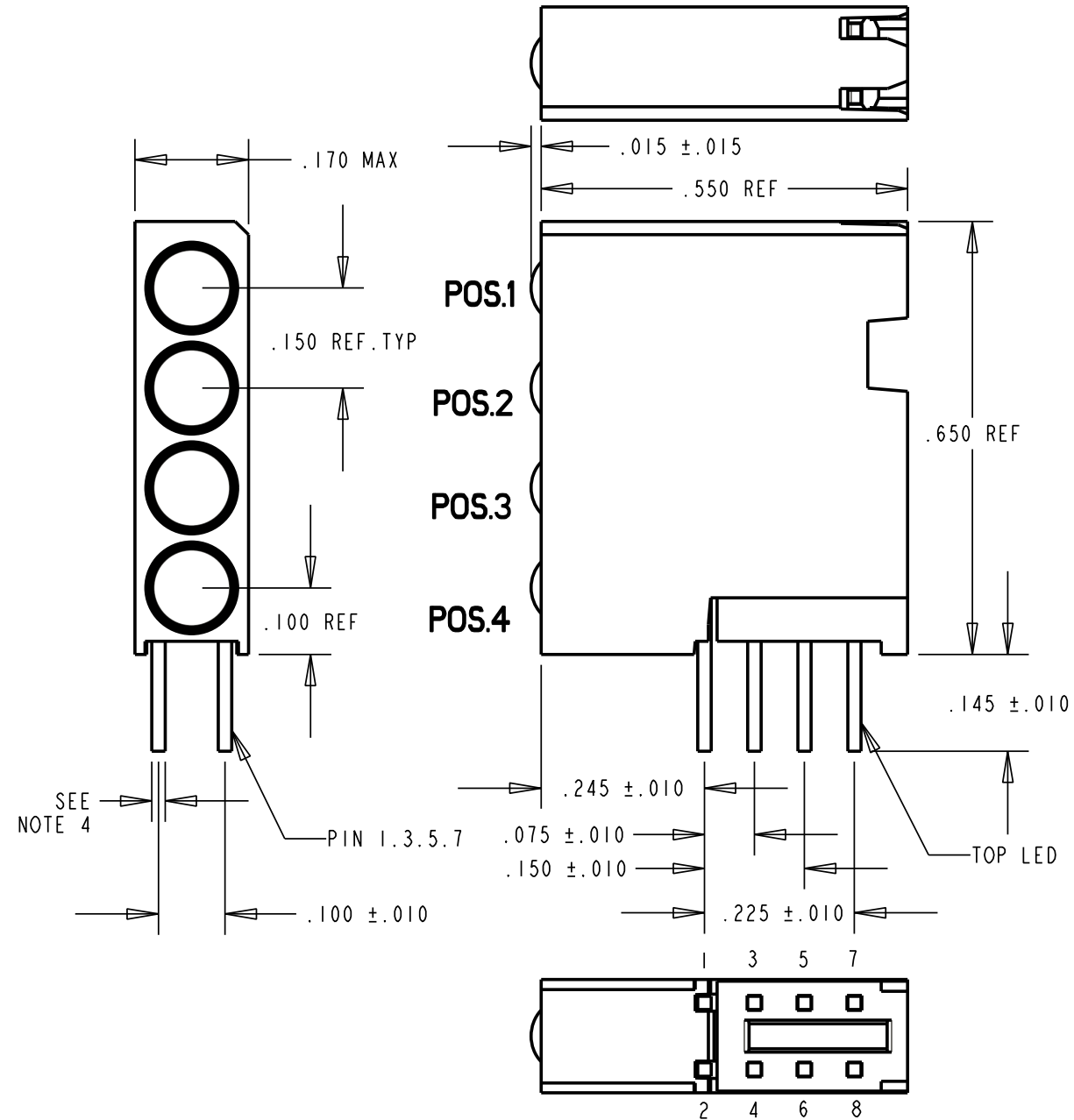


| PART NUMBER | LED COLOR | | | |
|---------------|-------------|------------|------------|----------------|
| | POSITION 1 | POSITION 2 | POSITION 3 | POSITION 4 |
| 568-0731-822F | RED / GREEN | GREEN | GREEN | YELLOW / GREEN |

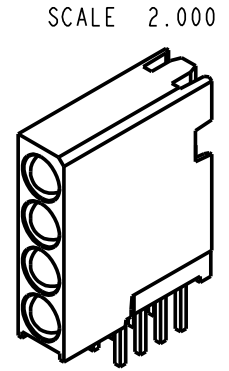
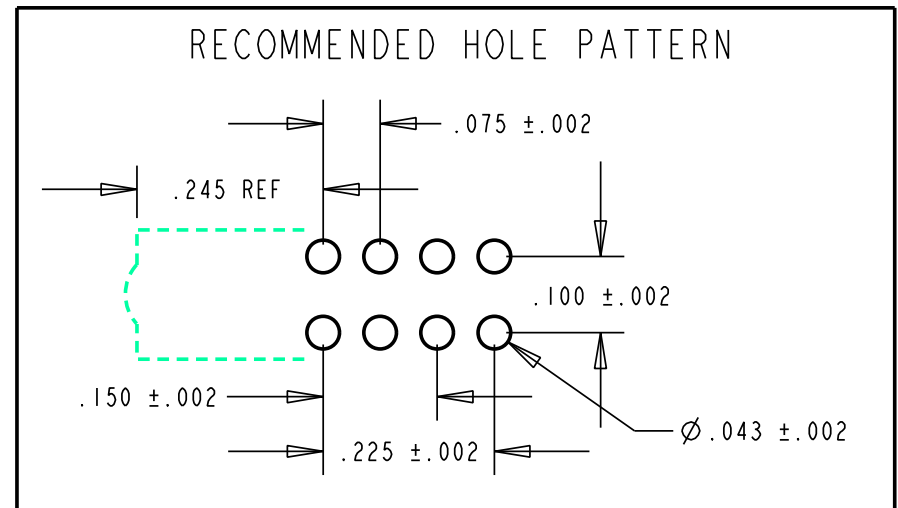


| REV | ECN NO | REVISIONS | DRN | CKD | APP | DATE |
|-----|--------|--|-----|------|-----|----------|
| A | | NEW RELEASE | TWC | N.O. | MES | 11-14-05 |
| B | | 568-0731-822F RoHS NOTE WAS 586-0731-522F | TWC | | | |



| ABSOLUTE MAXIMUM RATING AT 25 °C AMBIENT | | | | |
|--|-------------|---------|----------|-------|
| | GREEN | RED/GRN | YEL/GRN | UNITS |
| POWER DISSIPATION | 100 | 100 | 60/100 | mW |
| DERATE LINEARLY FROM 50 °C | 0.4 | 0.4 | 0.25/0.4 | mA/°C |
| CONTINUOUS FORWARD CURRENT | 30 | 30 | 20/30 | mA |
| PEAK FORWARD CURRENT (1/10 DUTY CYCLE, 0.1 ms PULSE WIDTH) | 120 | 120 | 80/120 | mA |
| REVERSE VOLTAGE | 5 | 5 | | V |
| LEAD SOLDERING TEMPERATURE, 5 SEC., 1/16" FROM BODY | 260 | | | °C |
| OPERATING TEMPERATURE | -55 TO +100 | | | °C |
| STORAGE TEMPERATURE | -55 TO +100 | | | °C |

| OPERATING CHARACTERISTICS AT 25°C AMBIENT | | | | | | |
|---|--------------|---------|----------|-----|--------|------------------------|
| CHARACTERISTICS | COLOR | MIN | TYP | MAX | UNITS | TEST CONDITIONS |
| LUMINOUS INTENSITY | GREEN | 4.7 | 12.6 | | mcd | I _F = 10 mA |
| | RED/GREEN | 2.5/3.7 | 4.7/10.0 | | | |
| | YELLOW/GREEN | 2.5 | 4.3/6.3 | | | |
| FORWARD VOLTAGE | GREEN | | 2.1 | 2.8 | V | I _F = 20 mA |
| | RED/GREEN | | 2.0/2.1 | 2.8 | | |
| | YELLOW/GREEN | | | | | |
| PEAK WAVELENGTH | GREEN | | 565 | | nm | |
| | RED/GREEN | | 635/565 | | | |
| | YELLOW/GREEN | | 585/565 | | | |
| VIEWING ANGLE (2 θ 1/2) | GREEN | | 60 | | Degree | |
| | RED/GREEN | | 60 | | | |
| | YELLOW/GREEN | | 80 | | | |
| REVERSE CURRENT | GREEN | | | 100 | mA | V _R = 5V |
| | RED/GREEN | | | | | |
| | YELLOW/GREEN | | | | | |



- NOTES:
- LEADS TO FIT INTO HOLES SPACED AS PER HOLE PATTERN
 - LEADS TO BE FREE OF DEFORMATION AFTER BENDING AND CUTTING
 - LED LEAD DIMENSIONS SHOWN ARE MEASURED AT HOUSING EXIT
 - LED LEAD THICKNESS =
 .020 NOM. = RED / GREEN
 .016 X .018 = GREEN
 .016 X .018 = YELLOW / GREEN
 - PACKAGING =
 BLOCKS PLACED IN AN ANTISTATIC BAG
 - DIALIGHT PART NUMBERS = 568-0731-822F

RoHS Compliant 568-0731-822F 4 X 1 Thru hole CBI Block

Part Numbers with the "F" suffix ending are RoHS Compliant.
 Example: 568-0731-822F

Packaging is marked with "RoHS Compliant" label or equivalent markings. Parts can be wave soldered, dip soldered or hand soldered using typical lead-free soldering process with max 260°C temp. for 5 sec.

| | | |
|---|---|----------|
| THIS DRAWING AND THE CONTENTS HEREIN ARE CONFIDENTIAL AND THE SOLE PROPERTY OF DIALIGHT. REPRODUCTION OF THIS DRAWING OR CONSTRUCTION OF ANY PARTS WITHIN THIS DRAWING ARE FORBIDDEN WITHOUT THE WRITTEN CONSENT OF DIALIGHT. | | |
| SCALE: 4.000 ALL DIM'S IN: INCHES (MM) | DRAWING NUMBER C-17328 | REV B |
| TOLERANCES: UNLESS OTHERWISE SPECIFIED FRACTIONS: ±1/64 DECIMALS (.XX): ±.01 DECIMALS (.XXX): ±.005 DECIMALS (.XXXX): ±.0005 ANGLES: ±1° | TITLE 4x1 CBI BLOCK - .150 PITCH R/G, G, G, Y/G RoHS COMPLIANT | |
| FINISH: | MATERIAL | |
| FSCM 83330 | Dialight 1501 ROUTE 34 SOUTH FARMINGDALE, NJ 07727 | |
| SHEET 1 OF 1 FAMILY TABLE: | | |