

NOTES:

1. MATERIALS AND FINISHES:

BODY - BRASS - TIN PLATED
 CONTACT - BeCu - GOLD PLATED
 SPRING CLIP - BeCu - TIN PLATED
 INSULATOR - PTFE

2. PHYSICAL:

OPERATING TEMPERATURE = -40°C to +105°C
 DURABILITY = 150 MATING CYCLES MINIMUM
 INSERTION/WITHDRAWAL FORCES = 1.0 LB. MIN. to 8.0 LB. MAX. WHEN TESTED IN A $\varnothing .385 \pm .002$ BORE

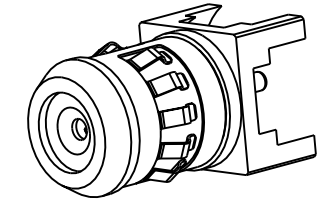
3. ELECTRICAL:

RETURN LOSS = 28 dB MINIMUM FROM DC TO 1.2 GHz
 INSERTION LOSS = 0.10 dB MAXIMUM FROM DC TO 1.2 GHz
 AC CURRENT RATING = 15 AMPS CONTINUOUS, 24 AMPS FOR 2 HOURS
 PEAK VOLTAGE RATING = 1,000 VAC, 50/60 Hz

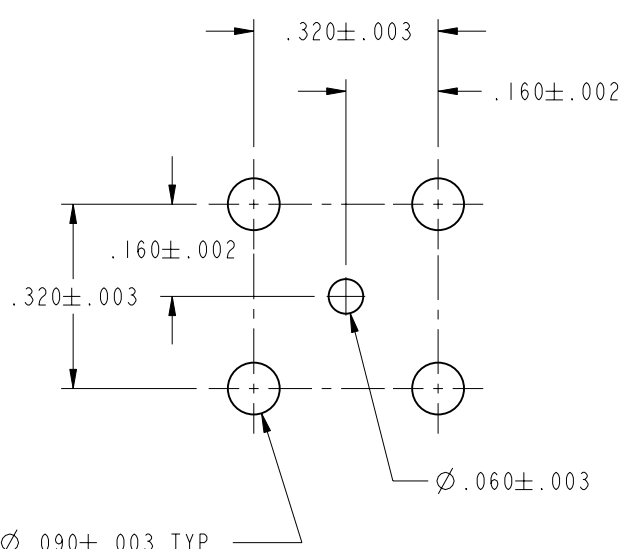
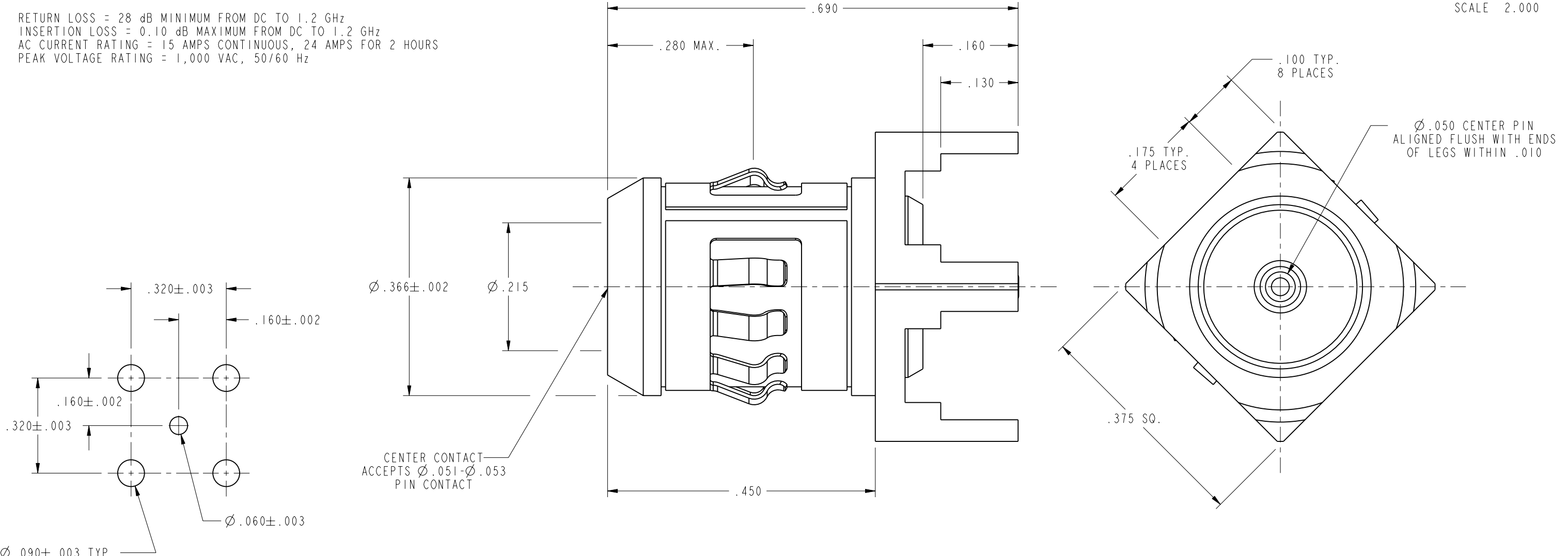
531-40070

DRAWING NO. THIRD ANGLE PROJ.

REV		DESCRIPTION	DATE	ECO	APPR
A		RELEASE TO MFG.	02-Sep-99	43102	FO
B		REVISED I.A.W. CUSTOMER SPECIFICATION	9/15/00	43231	BCG
C		SEE SHEET 1	7/11/01	43791	CPM



SCALE 2.000



RECOMMENDED MOUNTING HOLE PATTERN SCALE 3.000

CUSTOMER OUTLINE DRAWING ALL OTHER SHEETS ARE FOR INTERNAL USE ONLY

UNLESS OTHERWISE SPECIFIED, DIMENSIONS ARE IN INCHES AND TOLERANCES ARE: 2 PLACE DECIMAL ±.015 (0,381 mm) 3 PLACE DECIMAL ±.005 (0,127 mm) ANGLES ± 1°	MATERIAL	DRAWN F. ORBETA	DATE 12-Jan-99	TITLE "G" JACK, PCB MOUNT, $\varnothing .052$ MATING PLUG		Amphenol Amphenol Corporation Communication and Network Products Division Danbury, CT U.S.A. 06810	
	REFERENCE G.I. P/N 468216 EAR #967161-0 GEN# ASSY_GI_BOARD	ENGINEER F. ORBETA	DATE 12-Jan-99				
NOTICE - These drawings, specifications, or other data (1) are, and remain the property of Amphenol Corp. (2) must be returned upon request; and (3) are confidential and not to be disclosed to any person other than those to whom they are given by Amphenol Corp. The furnishing of these drawings, specifications, or other data by Amphenol Corp., or to any other person to anyone for any purpose is not to be regarded by implication or otherwise in any manner licensing, granting rights or permitting such holder or any other person to manufacture, use or sell any product, process or design, patented or otherwise, that may in any way be related to or disclosed by said drawings, specifications, or other data.		APPROVED T. AUBIN	DATE 17-Aug-99	CODE ID 74868	DWG SIZE B	DRAWING NO. 531-40070	SCALE: 6.0:1 SHEET 3 OF 3
							REV C