

ITEM	PART#	DESCRIPTION	QTY	UOM
A	2004561212	Mega-fit Recep Hsg SR TopL 2ckt Blk	1	PC
B	1054150002	Mega-fit TPA 2ckt 94 V-0 Nat	1	PC
C	768230343	Mega-fit Female Tml Pre-Tin 12AWG	2	PC
D	---	PAPER PRINTED PAPER WHITE	1	PC

FROM	TO	DESCRIPTION	COLOR
A1	--	1X12AWG DISC PVC BK UL1015 HOOKUP	BLACK
A2	--	1X12AWG DISC PVC BK UL1015 HOOKUP	BLACK

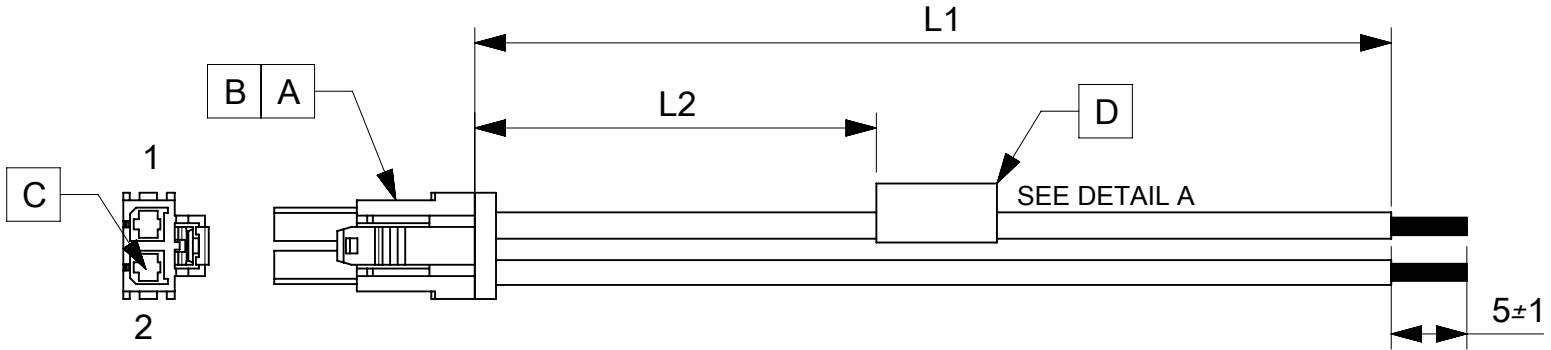


TABLE			
PART NUMBER	L1	L2	TITLE
2164011021	150±8	63REF	MEGAFIT SR R-S 2 CKT 150 MM CABLE ASSY
2164011022	300±10	138REF	MEGAFIT SR R-S 2 CKT 300 MM CABLE ASSY
2164011023	600±10	288REF	MEGAFIT SR R-S 2 CKT 600 MM CABLE ASSY

NOTES

1. Connector view shown is from mating side.
2. Free ends must be stripped, twisted & tinned. The length of tinning is 5±1mm. Tinning dia must be 3mm Max.
3. Label text must be 2mm max. in height with Arial font.
4. Label must be wrapped in Flag type on a single cable.

MOLEX P/N
MOLEX
BATCH WK/YR

DETAIL A

REVISION			
DATE	REV	DESCRIPTION	CHANGER
17/06/2020	A	INITIAL RELEASE	ARAJU

FUNCTIONAL SYMBOLS $\nabla_A = 0$ $\nabla_E = 0$ $\nabla_P = 0$	DIMENSION UNITS: mm SCALE: NTS		CURRENT REV DESC:					
	GENERAL TOLERANCES (UNLESS SPECIFIED)		EC NO: 643477					
	ANGULAR TOL ± °		DRWN: ARAJU 2020/06/17					
	4 PLACES ±		CHK'D: RDESAI01 2020/08/17					
DIVISIONAL SYMBOLS	3 PLACES ±		APPR: RDESAI01 2020/08/17		PRODUCT CUSTOMER DRAWING			
	2 PLACES ±		INITIAL REVISION:					
	1 PLACE ±		DRWN: ARAJU 2020/06/17					
	0 PLACES ±		APPR: RDESAI01 2020/08/17					
DRAFT WHERE APPLICABLE MUST REMAIN WITHIN DIMENSIONS		THIRD ANGLE PROJECTION	DRAWING: A4-SIZE	SERIES: 216401	DOCUMENT NUMBER: 2164011021	DOC TYPE: PSD	DOC PART: 000	REVISION: A