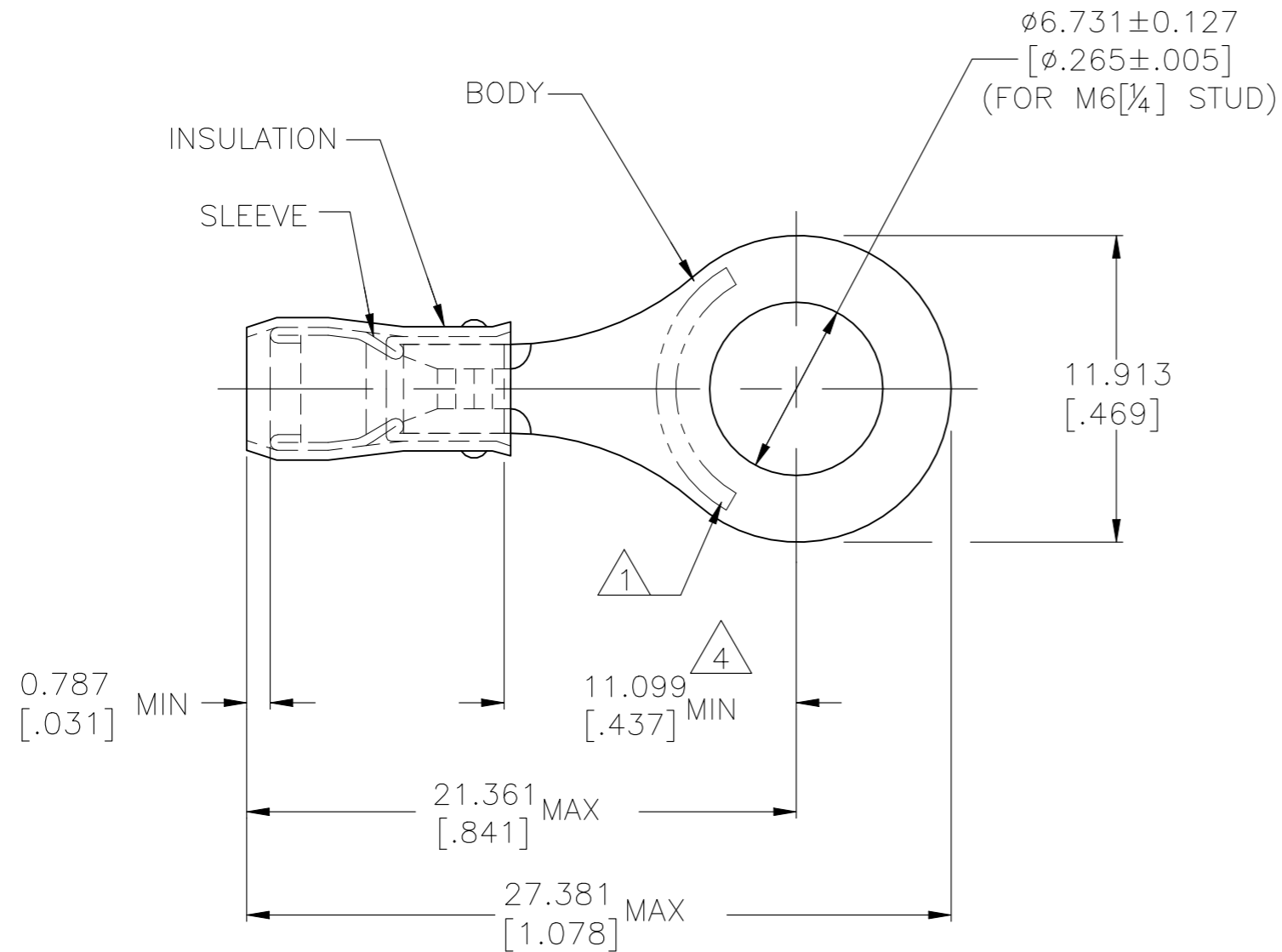






REVISIONS				
P	LTR	DESCRIPTION	DATE	APVD
	AB3	REVISED PER ECN-22-156403	03JUN2022	RK CSD

<b>AMP</b> WIRE RANGE	 E13288 Listed	 LR7189 Certified
22-16 AWG SOLID OR STRANDED	22-16 AWG STRANDED	22-16 AWG SOLID OR STRANDED



-  STAMP AMP 22-18\* APPROX AS SHOWN  
22-16 TERMINALS ARE STAMPED 22-18 IN  
ACCORDANCE WITH MILITARY SPEC SAE AS7928  
COMMERCIAL WIRE RANGE IS 22-16.
- 2 WIRE INSULATION DIA: 2.032-3.175[.080-.125].
- 3 BODY MATERIAL THK: 0.787±0.051[.031±.002].
-  APPERS FROM EDGE OF METAL WIRE BARREL TO  
CENTER OF STUD HOLE.
-  UL LISTED
-  CSA CERTIFIED

 	-	100	LOOSE PIECE, BOX	8-320571-1
 	-	5000	ON TAPE, REEL	2-320571-2
 	MS25036-150 CLASS 1	1000	LOOSE PIECE	320571
	MILITARY P/N AND CLASS	QUANTITY	PACKAGE TYPE	PART NO

**AMP INCORPORATED  
CUSTOMER SERVICE SYSTEMS**

MAX RECOMMENDED OPERATING  
TEMPERATURE:  
105°C[221°F] MAX

THIS DRAWING IS A CONTROLLED DOCUMENT.

DWN DK SCHRUM 9/8/93



FOR ADDITIONAL  
PRODUCT INFORMATION OR  
COPIES OF DRAWINGS  
AND TECHNICAL DOCUMENTS  
PRODUCT INFORMATION CENTER  
1-800-522-6752

VOLTAGE RATING:  
300 V MAX

DIMENSIONS:  
mm [INCHES]

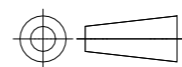
TOLERANCES UNLESS  
OTHERWISE SPECIFIED:

CHK RE HERSEY 9/8/93

NAME  
TERMINAL, RING TONGUE,  
PIDG™, WIRE SIZE: 22-16 AWG

FOR APPLICATION  
TOOLING INFORMATION  
TOOLING ASSISTANCE CENTER  
1-800-722-1111

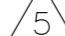
CIRCULAR MIL AREA:  
0.26-1.65mm<sup>2</sup> [509-3,260] CIR MILS  
SOLID OR STRANDED



0 PLC ± -  
1 PLC ± -  
2 PLC ± -  
3 PLC ± .127[.005]  
4 PLC ± -  
ANGLES ± -

APVD ML ELLIS 9/8/93

PRODUCT SPEC

UL 486A-B 

APPLICATION SPEC

114-2157

SIZE CAGE CODE DRAWING NO RESTRICTED TO

FOR ORDER ENTRY  
1-800-526-5142

MATERIAL  
BODY & SLEEVE  
COPPER PER ASTM B-152  
INSULATION: NYLON

FINISH  
BODY & SLEEVE  
TIN PLATE  
PER ASTM B545  
INSULATION: COLOR-RED

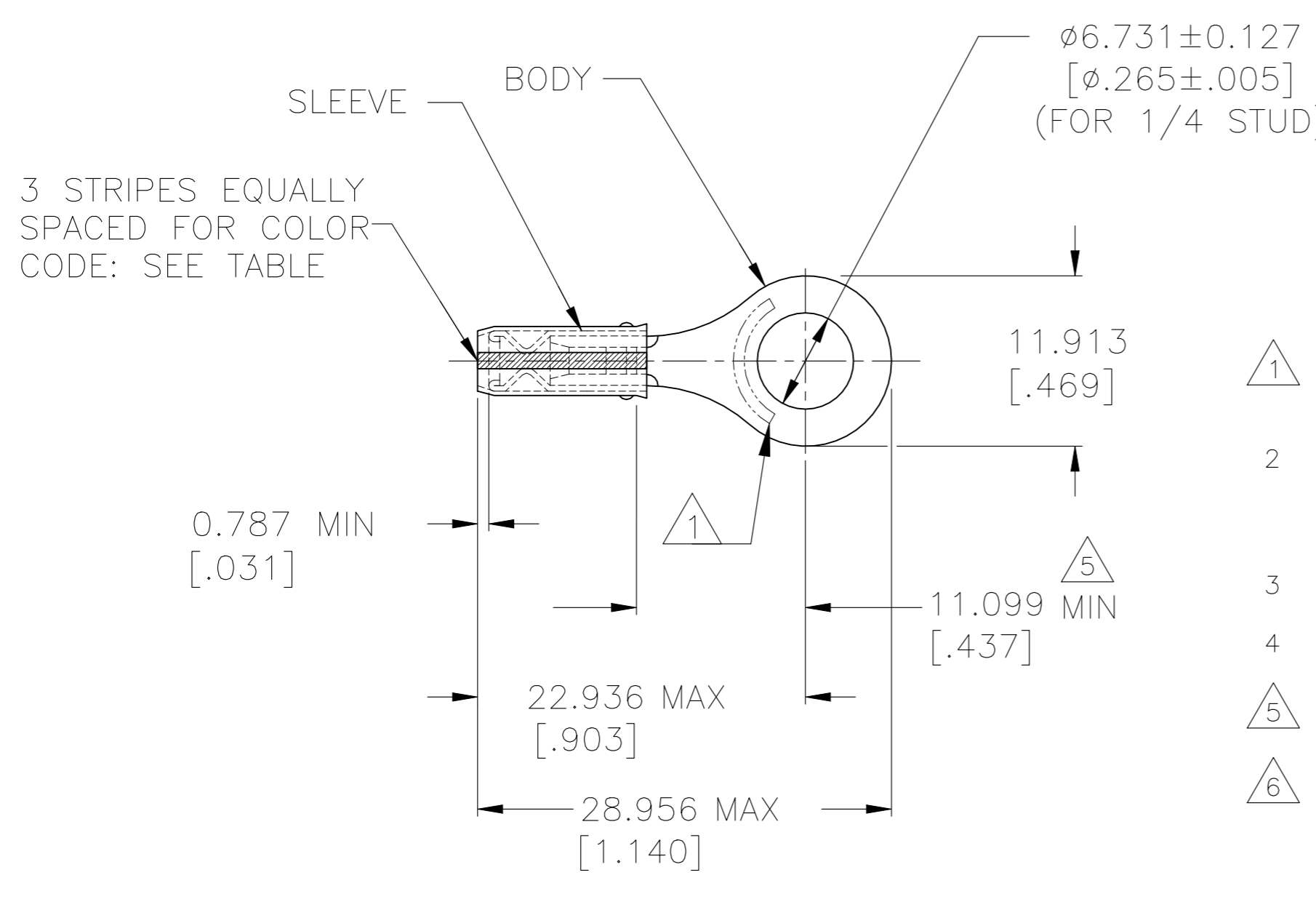
WEIGHT -

A3 00779 C-320571

CUSTOMER DRAWING SCALE NTS SHEET 1 OF 2 REV AB3

© - TE Connectivity. All Rights Reserved.

REVISIONS					
P	LTR	DESCRIPTION	DATE	DWN	APVD
-	-	SEE SHEET 1	-	-	-



<b>AMP</b> WIRE RANGE	LR7189 Certified
SEE TABLE STRANDED	WIRE SIZE PER TABLE STRANDED

- 1 STAMP AMP APPROX AS SHOWN SEE TABLE BELOW.
- 2 WIRE INSULATION DIA: 0.965–2.794 [.038–.110] FOR 22 AWG  
1.168–2.794 [.046–.110] FOR 20 AWG  
1.422–2.794 [.056–.110] FOR 18 AWG.
- 3 BODY MATERIAL THK: 0.79±0.05 [.031±.002].
- 4 NOTE DELETED.
- 5 APPEARS FROM EDGE OF METAL WIRE BARREL TO CENTER OF STUD HOLE.
- 6 CSA CERTIFIED

6	M7928/1-34 CLASS 1	WHITE	18*	18	1000	LOOSE PIECE	2-320571-5
6	M7928/1-25 CLASS 1	RED	20*	20	1000	LOOSE PIECE	2-320571-4
6	M7928/1-16 CLASS 1	GREEN	22*	22	1000	LOOSE PIECE	2-320571-3
	MILITARY P/N AND CLASS	STRIPE COLOR	STAMPING	WIRE SIZE	QUANTITY	PACKAGE TYPE	PART NO

<b>AMP INCORPORATED CUSTOMER SERVICE SYSTEMS</b>		MAX RECOMMENDED OPERATING TEMPERATURE: 105°C [221°F] MAX	THIS DRAWING IS A CONTROLLED DOCUMENT.		DWN DK SCHRUM 9/8/93	TE Connectivity Ltd.			
FOR ADDITIONAL PRODUCT INFORMATION OR COPIES OF DRAWINGS AND TECHNICAL DOCUMENTS	PRODUCT INFORMATION CENTER 1-800-522-6752	VOLTAGE RATING: 300 V MAX	DIMENSIONS: mm [INCHES]	TOLERANCES UNLESS OTHERWISE SPECIFIED:	CHK RE HERSEY 9/8/93			NAME	
FOR APPLICATION TOOLING INFORMATION	TOOLING ASSISTANCE CENTER 1-800-722-1111	WIRE RANGE: CIRC MIL AREA: 22 0.38mm² [754] 20 0.60mm² [1,186] 18 0.96mm² [1,900]		0 PLC ± - 1 PLC ± - 2 PLC ± - 3 PLC ± .127 [.005] 4 PLC ± - ANGLES ± -	APVD ML ELLIS 9/8/93	TERMINAL, RING TONGUE, I.R., PIDG™, WIRE SIZE: 22, 20 & 18 AWG			
FOR ORDER ENTRY	1-800-526-5142	STRANDED	MATERIAL BODY & SLEEVE COPPER PER ASTM B-152 INSULATION: NYLON	FINISH BODY & SLEEVE TIN PLATE PER ASTM B545 INSULATION: COLOR-RED	PRODUCT SPEC -	SIZE A3	CAGE CODE 00779	DRAWING NO C-320571	RESTRICTED TO -
			CUSTOMER DRAWING		APPLICATION SPEC 114-2157	SCALE NTS	SHEET 2 OF 2	REV AB3	