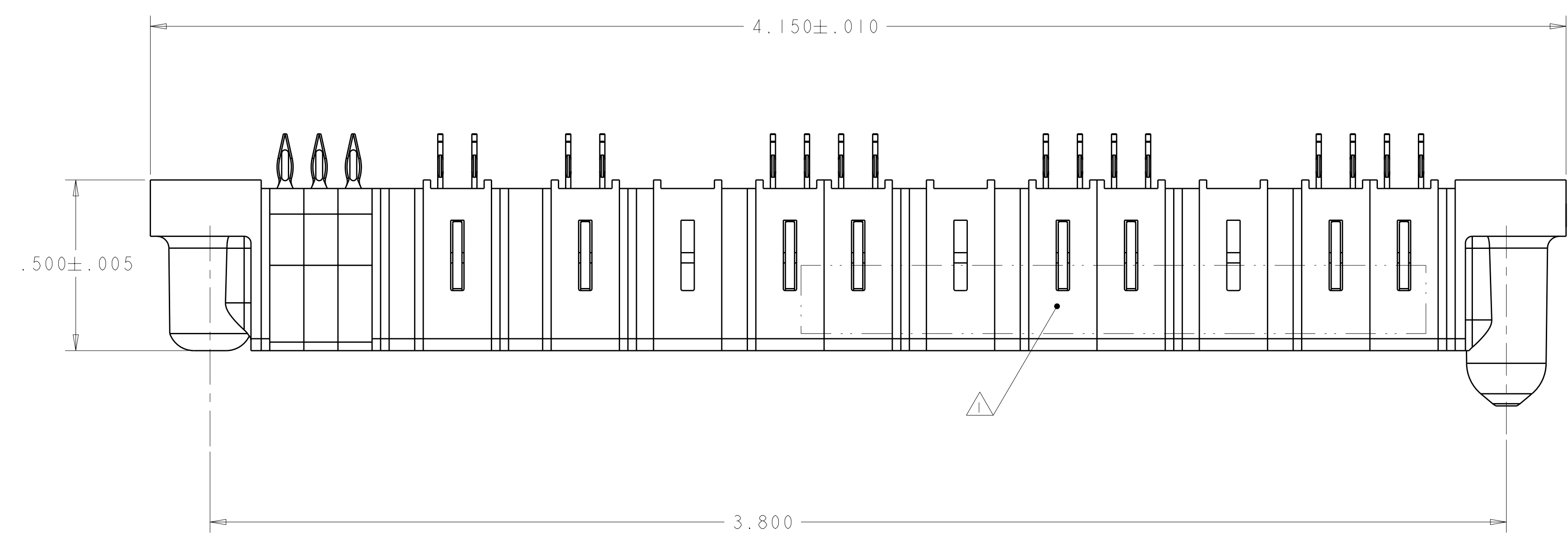
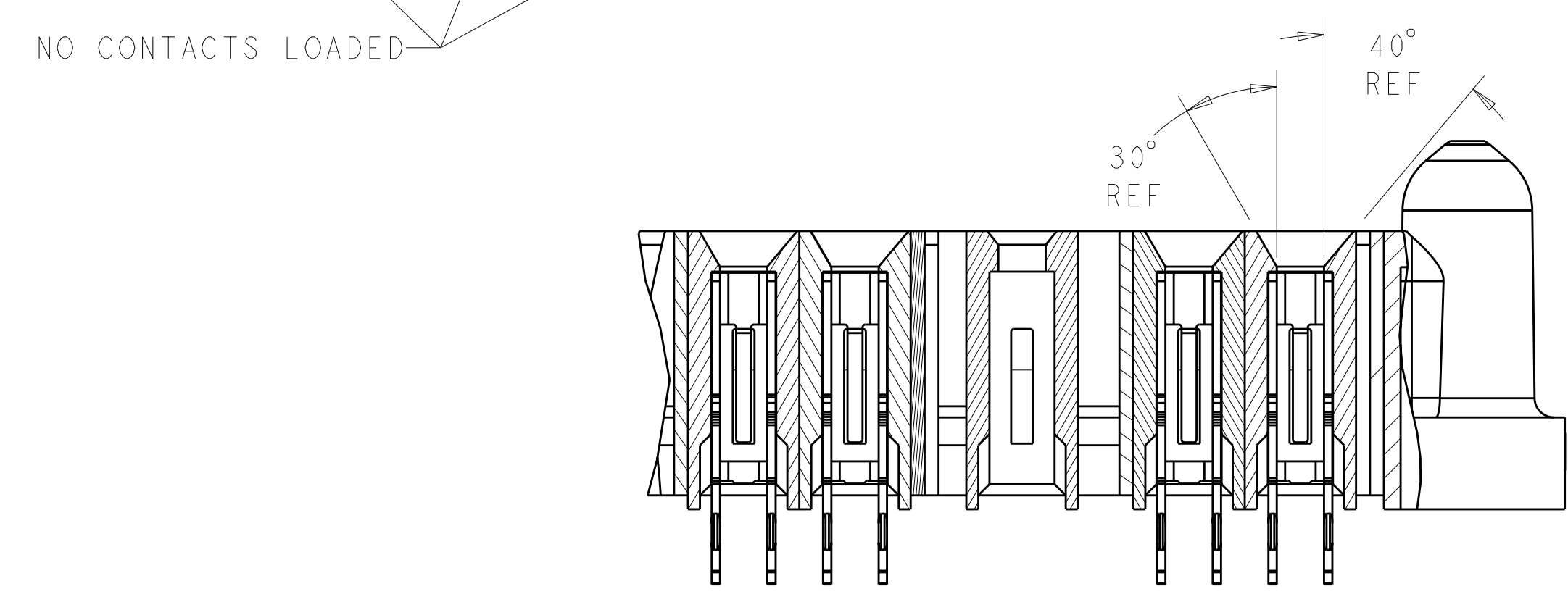
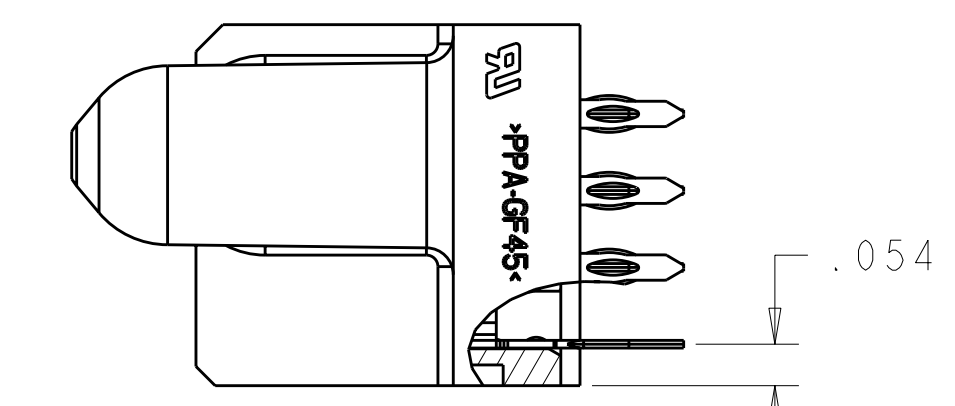
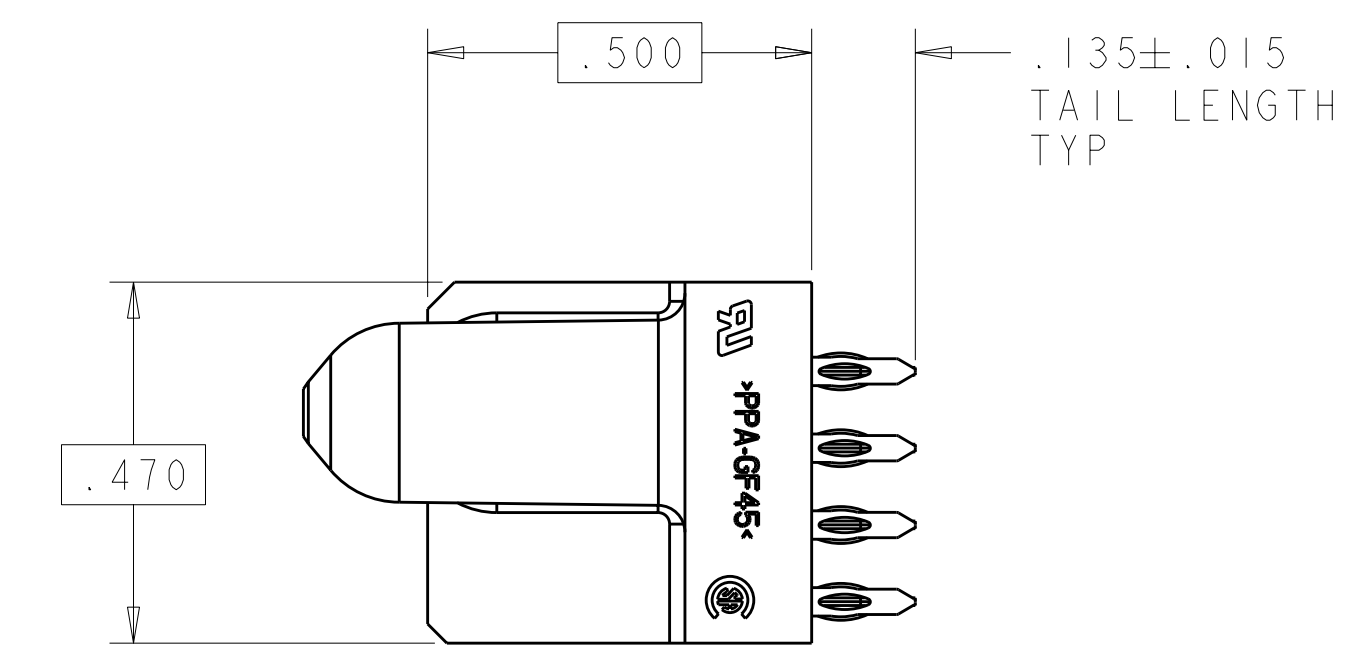
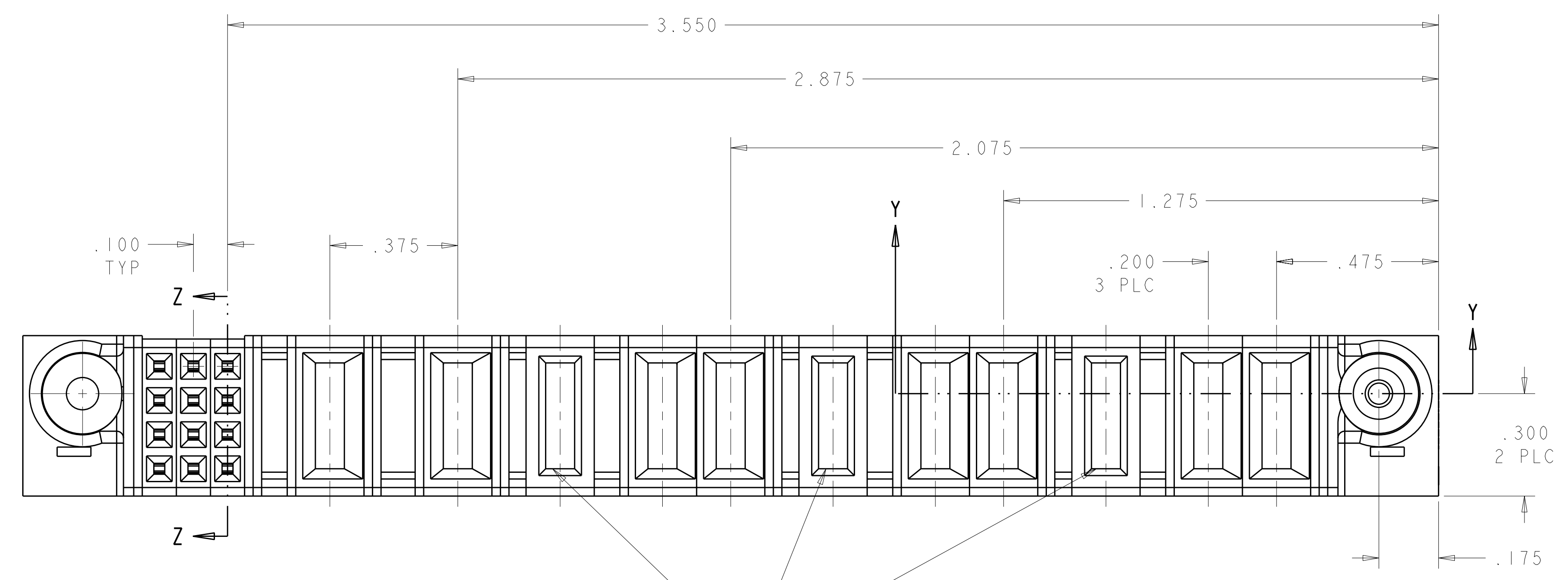


LOC	DIST	REVISIONS			
REV	DATE	DESCRIPTION	DATE	DWN	APVD
A	25JUL2008	REV PER ECR-08-018624		CZ	SY



- △ "AMP", PART NUMBER, AND DATE CODE TO BE MARKED IN AREA SHOWN
- △ MATERIAL: HOUSING - GLASS FILLED HIGH TEMP THERMO PLASTIC, UL94 V-0  
 SIGNAL CONTACT - HIGH CONDUCTIVITY COPPER ALLOY  
 POWER CONTACT - HIGH CONDUCTIVITY COPPER ALLOY
- △ CONTACT PLATING: SIGNAL CONTACTS - .000050 MIN Ni UNDER ALL  
 .000030 MIN Au ON CONTACT AREA  
 .000100 MIN Sn AT PCB INTERFACE  
 POWER CONTACTS - .000050 MIN Ni UNDER ALL  
 .000030 MIN Au ON CONTACT AREA  
 .000100 MIN Sn AT PCB INTERFACE
- △ MECHANICAL CONNECTOR KEEP OUT ZONE
- △ DATUM AND BASIC DIMENSIONS ESTABLISHED BY CUSTOMER
- △ PCB - ALL HOLE DIAMETERS ARE FINISHED HOLE SIZES
- △ PCB - .0453 ± .0010 DRILLED HOLES PLATED WITH .0003 MIN Sn OVER  
 .001 TO .003 CU PLATING TO ACHIEVE A .040 DIA HOLE



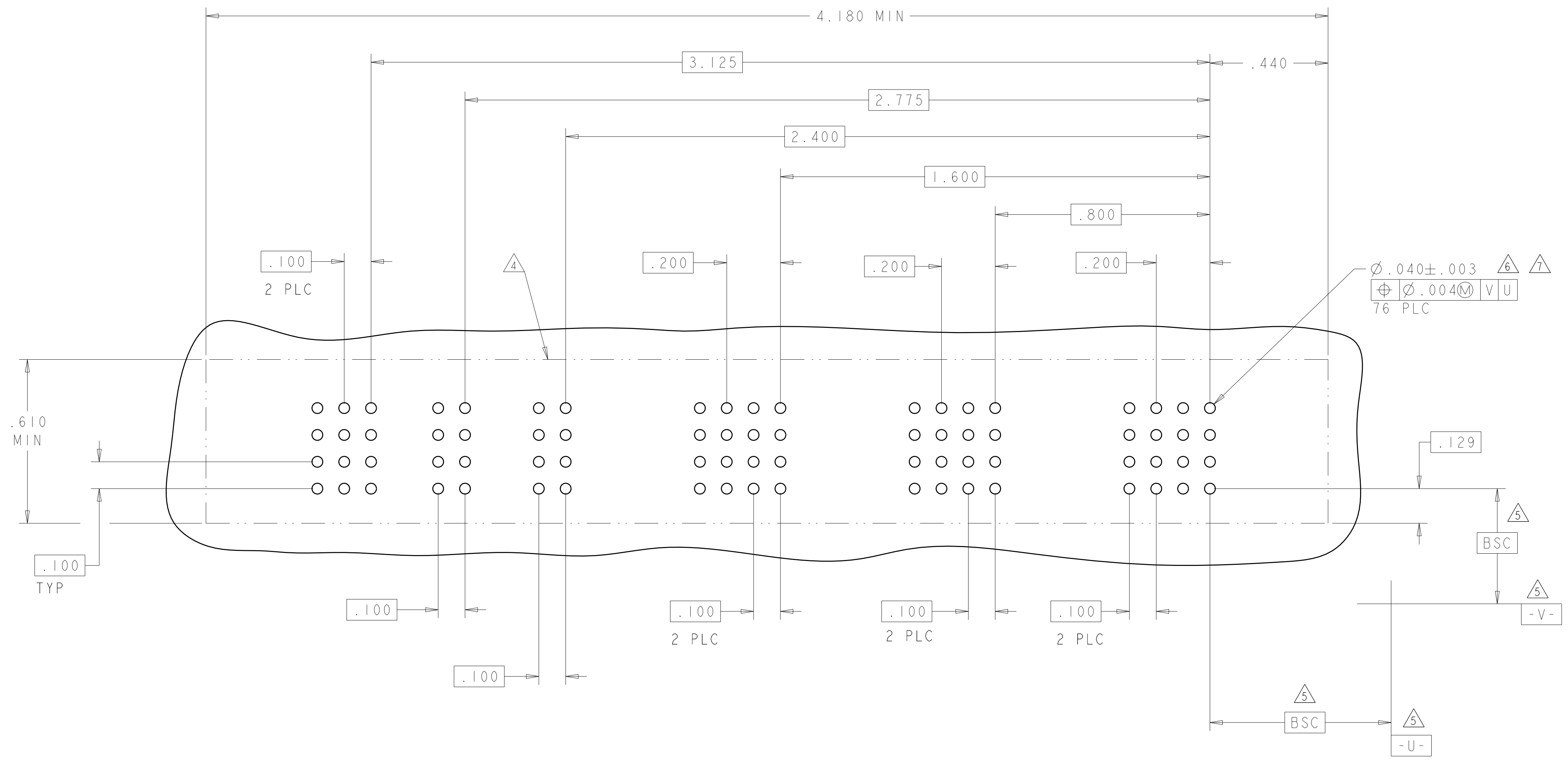
IIP + 12S	1888123-2
DESCRIPTION	PART NUMBER

DIMENSIONS: INCHES 9 PLC ±.01 8 PLC ±.01 5 PLC ±.005 4 PLC ±.0020 ANGLES #2		TOLERANCES UNLESS OTHERWISE SPECIFIED: 9 PLC ±. 8 PLC ±.01 5 PLC ±.005 4 PLC ±.0020 ANGLES #2		DWN: C. ZHOU 29FEB2008 CHK: S. ZHAO 29FEB2008 APVD: S. YAO		Tyco Electronics Tyco Electronics incorporation Shanghai, P.R.China, 200233	
MATERIAL:		FINISH:		NAME: S. YAO PRODUCT SPEC: 108-1973 APPLICATION SPEC: 114-13038		SIZE: CAGE CODE: DRAWING NO: 100779 WEIGHT: - CUSTOMER DRAWING	
VERTICAL RECEPTACLE ASSEMBLY WITH LEFT SHORTENED GUIDES, PRESS FIT, MULTI-BEAM XL				RESTRICTED TO: A		SCALE: 4:1 SHEET 1 OF 2 REV A	

LOC	DIST	REV	DATE	BY	APPD
ES	00				
REVISIONS			DESCRIPTION	DATE	BY
			SEE SHEET 1		

PART NUMBER	ROWS	SIGNAL			POWER										
		3	2	1	P11	P10	P9	P8	P7	P6	P5	P4	P3	P2	P1
1888123-2	D C B A	AP	AP	AP	GS	GS		GS	GS		GS	GS		GS	GS
		AP	AP	AP											
		AP	AP	AP											
		AP	AP	AP											
11P + 12S															

NO CONTACTS LOADED



CODE	DESCRIPTION
GS	POWER CONTACT, STD
AP	SIGNAL CONTACT

CONTACT TABLE

DIMENSIONS: INCHES 		TOLERANCES UNLESS OTHERWISE SPECIFIED: 9 PLC ±. 8 PLC ±.01 5 PLC ±.005 4 PLC ±.0020 ANGLES #2		DWN: C. ZHOU 29FEB2008 CHK: S. ZHAO 29FEB2008 APVD: S. YAO		Tyco Electronics Corporation Shanghai, P.R.China. 200233	
MATERIAL: - FINISH: -		PRODUCT SPEC: 108-1973 APPLICATION SPEC: 114-13038		NAME: VERTICAL RECEPTACLE ASSEMBLY WITH LEFT SHORTENED GUIDES, PRESS FIT, MULTI-BEAM XL		SIZE: 114-13038 CAGE CODE: A100779 DRAWING NO: C=1888123-2	
CUSTOMER DRAWING				WEIGHT: -		RESTRICTED TO: -	
SCALE: 4:1				SHEET: 2 OF 2		REV: A	