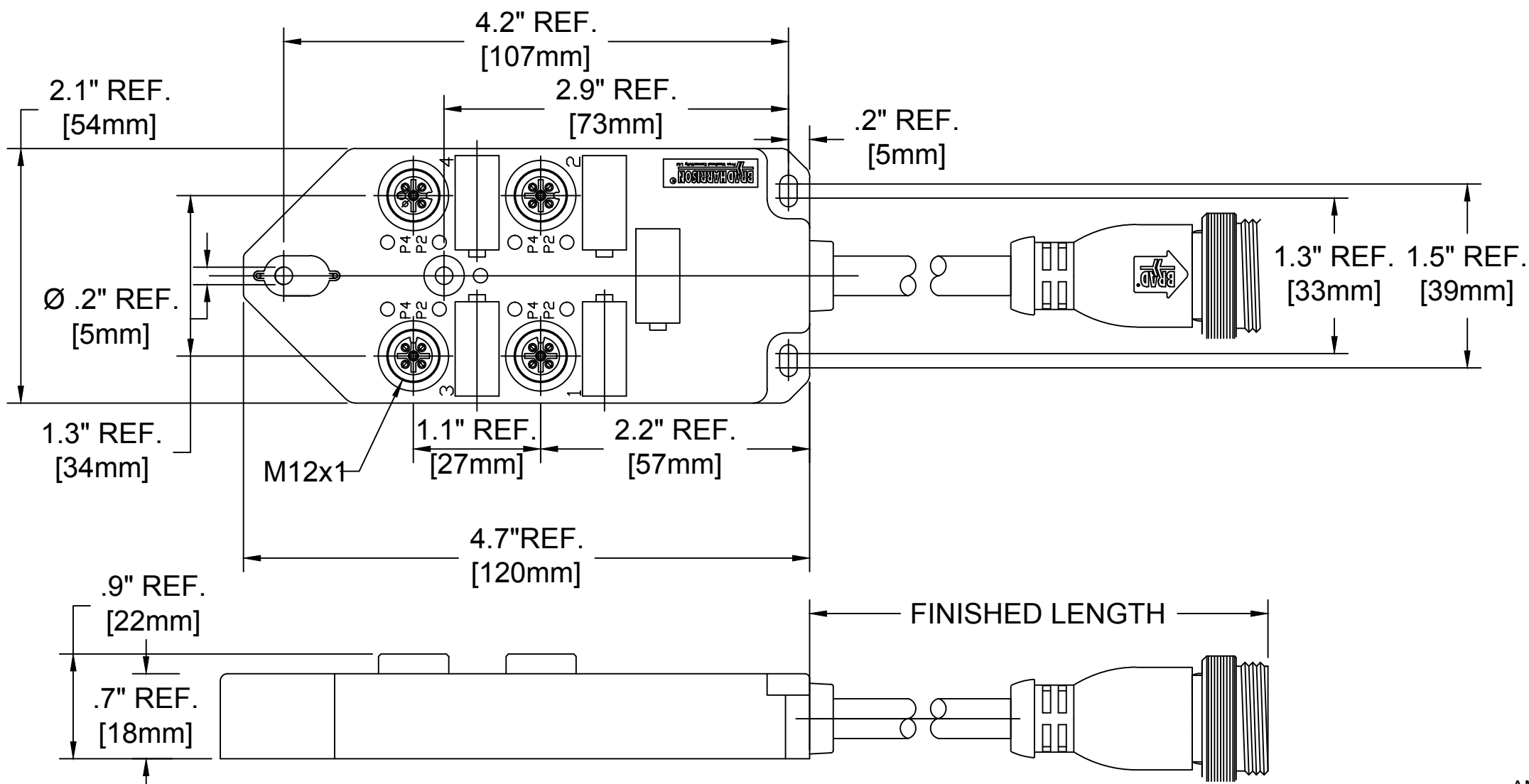


MATERIAL NUMBER	OLD PART NUMBER	FINISHED LENGTH
1201140192	BTY412N-FBP-05	5M +165.1mm -0 [16.4FT. +6.5IN -0]

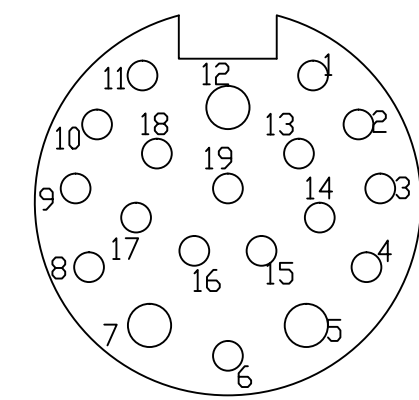
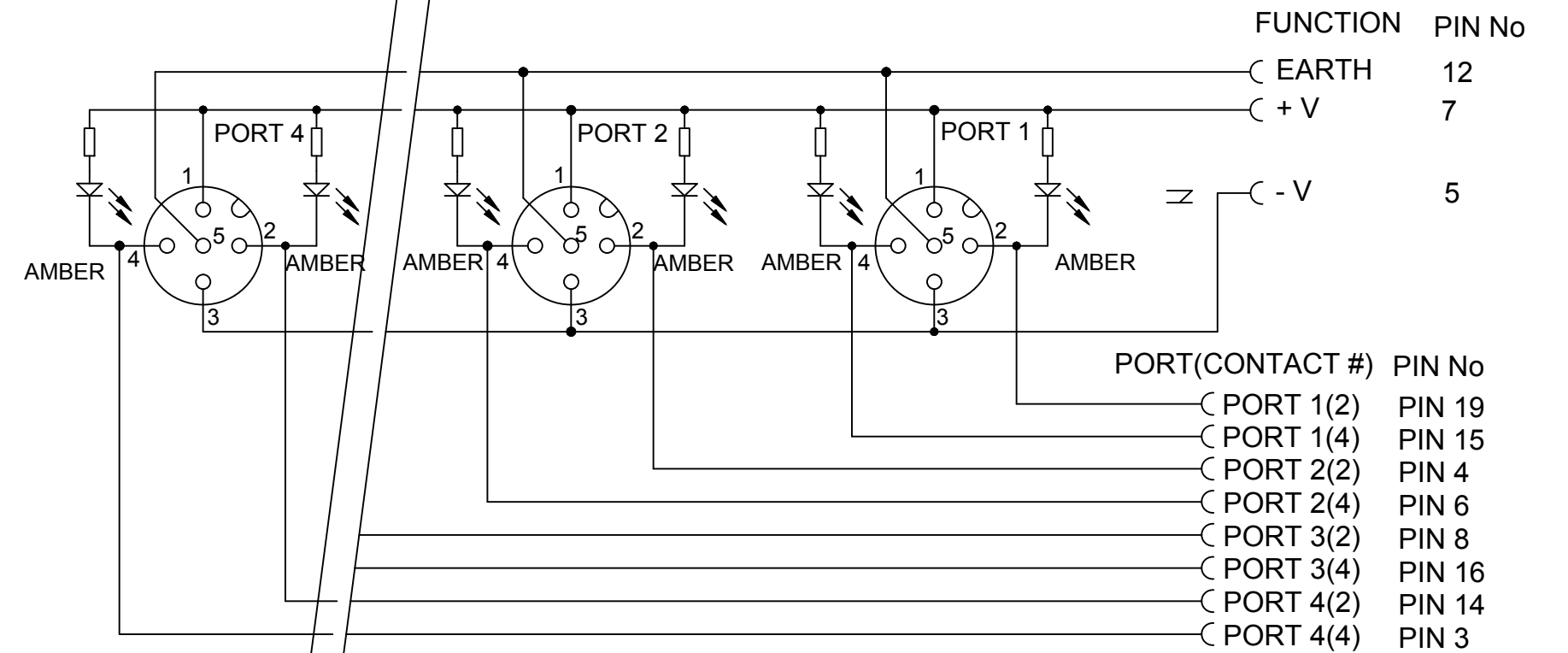


BTY412N-FBP-05

Black PUR CABLE

cable length
05 ---- 5 meters
10 ---- 10 meters

WIRING DIAGRAM



MALE FACE SIDE

COMPONENT	MATERIAL	FINISH
INSERT	PBT	YELLOW
CONTACT SOCKET	COPPER ALLOY	GOLD OVER NICKEL
O-RING	VITON	RED
RECEPTACLE SHELL	BRASS	NICKEL PLATED
HOUSING	PBT	YELLOW
LABEL	ABS	WHITE
LENS	NYLON	CLEAR
CABLE	PUR	BLACK
VOLTAGE RATING	10 - 30 VDC	
AMPERAGE RATING	4 AMPS	
PROTECTION	IP67	
OPERATING TEMPERATURE	-5°C TO 80°C	

RELEASE EC NO: ICG2014-0508 DRWN: GGUSTAFS 2013/10/30 CH'KD: VOU APPR: BWOODMAN2013/11/01	QUALITY SYMBOL ▽=0 ▽=0	GENERAL TOLERANCES (UNLESS SPECIFIED) mm INCH 4 PLACES ±--- ±--- 3 PLACES ±--- ±.005 2 PLACES ±0.13 ±.010 1 PLACE ±0.25 ±.020	DIMENSION STYLE IN/MM DRAWN BY DATE GGUSTAFS 2013/09/06 CHECKED BY DATE VOU 2013/10/10 APPROVED BY DATE BWOODMAN 2013/11/01	SCALE NTS DESIGN UNITS INCH THIRD ANGLE PROJECTION	TITLE 4 PORT MIC MPIS TOP MOUNT NPN 19P MALE MINI HR CABLE	
	ANGULAR ±.5°		DRAFT WHERE APPLICABLE MUST REMAIN WITHIN DIMENSIONS	MATERIAL NO. SEE CHART	MOLEX INCORPORATED DOCUMENT NO. SD-120114-096	
	SHEET NO. 1 OF 1		THIS DRAWING CONTAINS INFORMATION THAT IS PROPRIETARY TO MOLEX INCORPORATED AND SHOULD NOT BE USED WITHOUT WRITTEN PERMISSION			
	SIZE C					