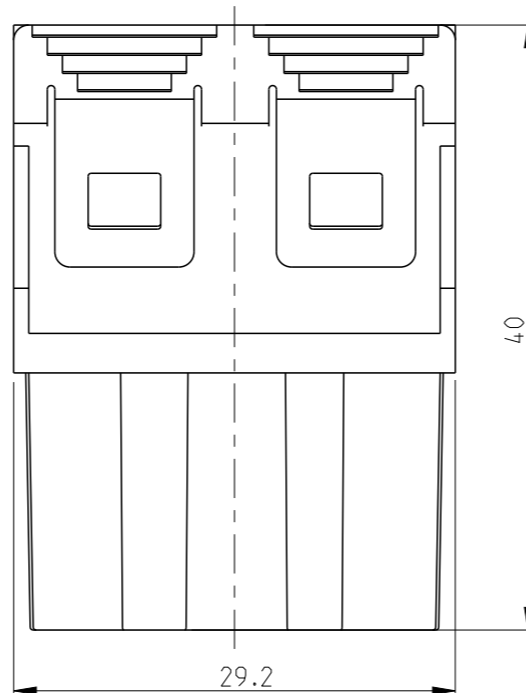
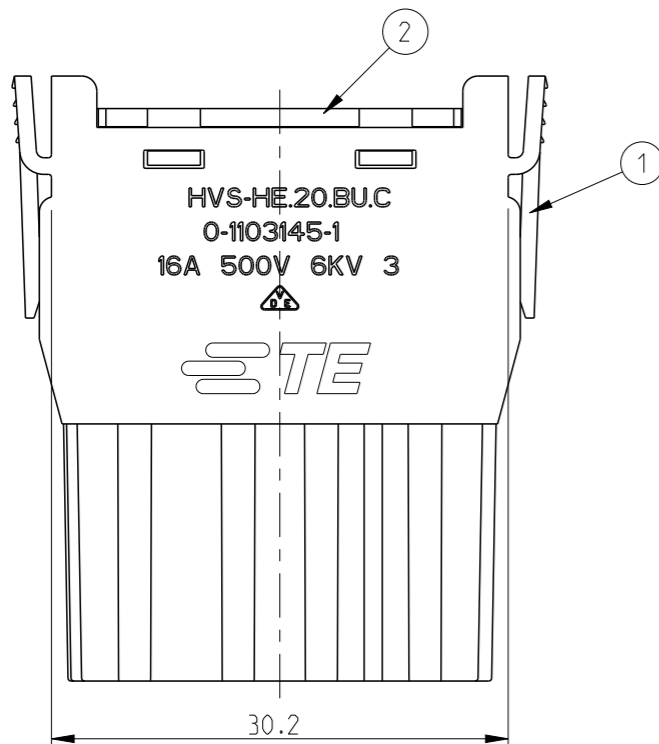
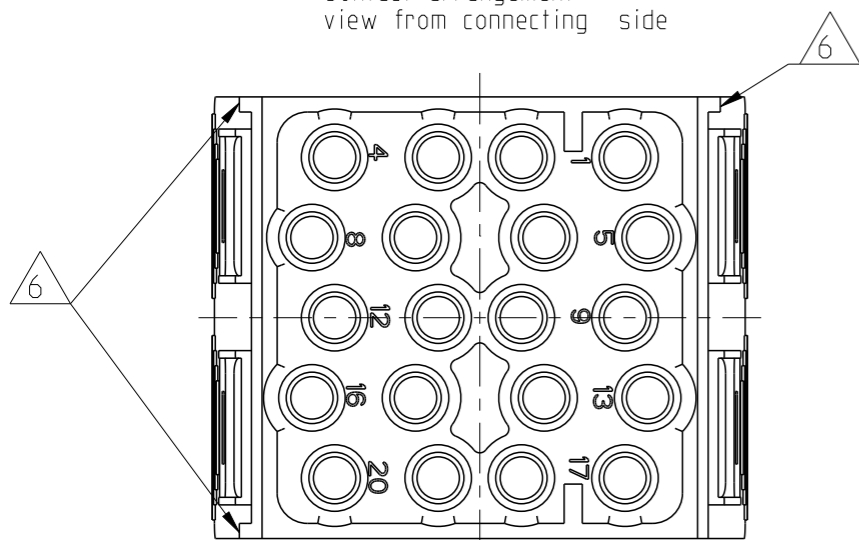


LOC	DIST
A1	-

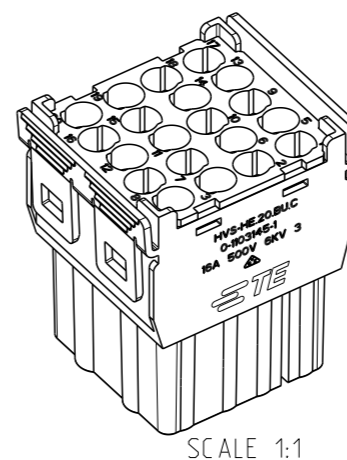
REVISIONS					
P	LTR	DESCRIPTION	DATE	DWN	APVD
	A5	RELEASED ASPER ECR-09-010234	6-May-09	CJ	TS
	B1	ECR-10-015645	27JUL2010	SR	OH
	C	ECR-15-007597	05JUN2015	GSK	JB

PN 0-1 As Shown

Contact arrangement view from connecting side



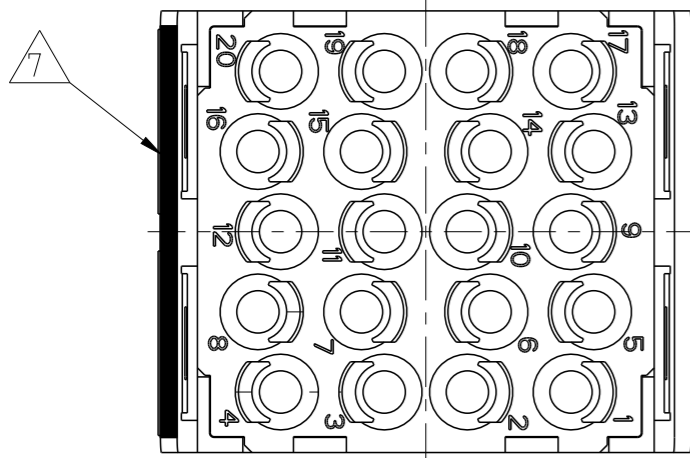
PN 0-1 As Shown



NOTES

- 1 SUITABLE CRIMP CONTACTS: SERIES HE/HA
CUSTOMER DRAWING: 1105101
OUTER DIMENSIONS OF INSULATION: MAX. Ø4.9mm
- 2 SUITABLE MODULE FIXING FRAME: SERIES HVS SIZE 3 TO 8
CUSTOMER DRAWING: 1103250
- 3 SUITABLE INSERTION TOOL:
CUSTOMER DRAWING: 0-1102855-6
- 4 SUITABLE EXTRACTION TOOL:
CUSTOMER DRAWING: 0-1102855-7
- 5 STANDARDS:
DIN EN 61984; DIN EN 60664-1
- 6 POLARIZATION RIPS
- 7 MARKING OF POLARIZATION ACCORDING TO MARKING OF
MODULE FRAME
- 8 PACKAGING:
10 SETS IN A CARTON, PRE-MOUNTED

Contact arrangement view from termination side



QTY	DESCRIPTION	MATERIAL	COLOR	ITEM
1	FEMALE INSERT	PBT-GF10	LIGHT GREY	2
1	COVER	PBT-GF15	LIGHT GREY	1
HVS-HE.20.Bu.C				

THIS DRAWING IS A CONTROLLED DOCUMENT.		DWN	31.08.2008	STE TE Connectivity																
		CHK	01.09.2008																	
DIMENSIONS: mm		TOLERANCES UNLESS OTHERWISE SPECIFIED: ISO 8075 DIN ISO 2768 mH-E DIN 15901-120		NAME																
		<table border="1"> <tr><td>0</td><td>PLC</td><td>±</td></tr> <tr><td>1</td><td>PLC</td><td>±</td></tr> <tr><td>2</td><td>PLC</td><td>±</td></tr> <tr><td>3</td><td>PLC</td><td>±</td></tr> <tr><td>4</td><td>PLC</td><td>±</td></tr> </table>		0	PLC	±	1	PLC	±	2	PLC	±	3	PLC	±	4	PLC	±	PRODUCT SPEC	
0	PLC	±																		
1	PLC	±																		
2	PLC	±																		
3	PLC	±																		
4	PLC	±																		
MATERIAL		FINISH		APPLICATION SPEC																
				108-74073																
		WEIGHT		DRAWING NO																
		-		114-74073																
		CUSTOMER DRAWING		RESTRICTED TO																
		SCALE 2:1		-																
		SHEET 1 OF 1		REV C																