

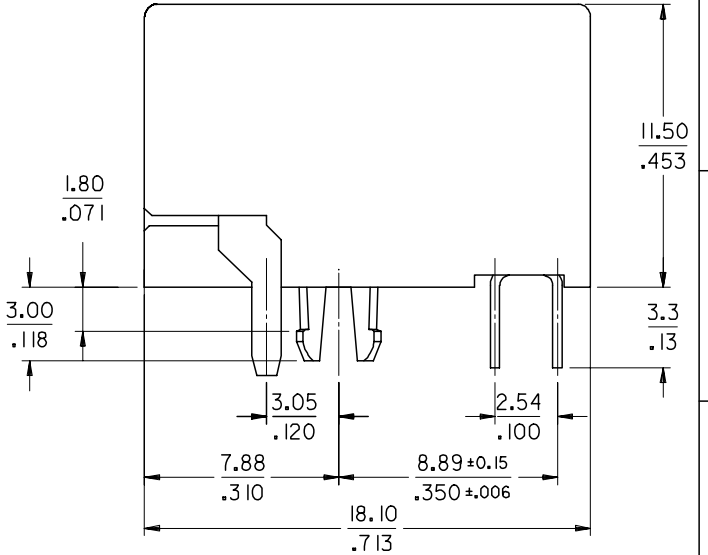
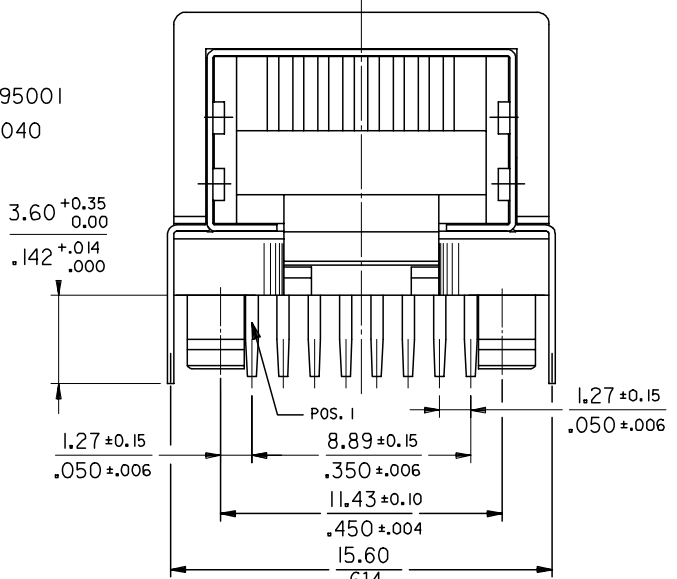
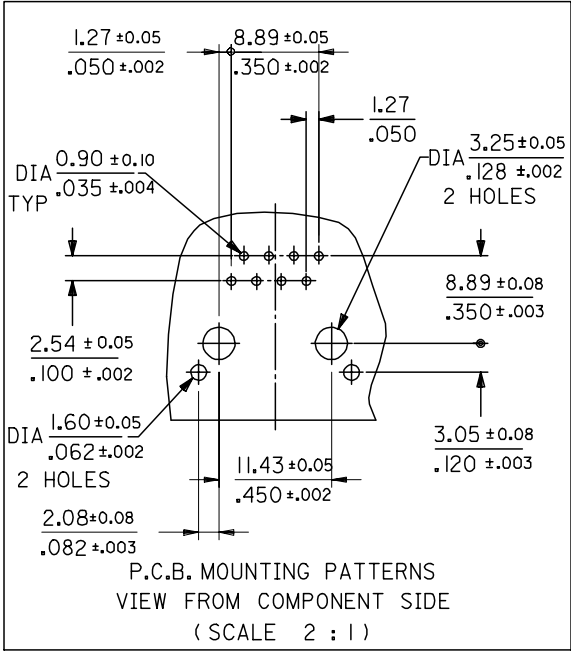
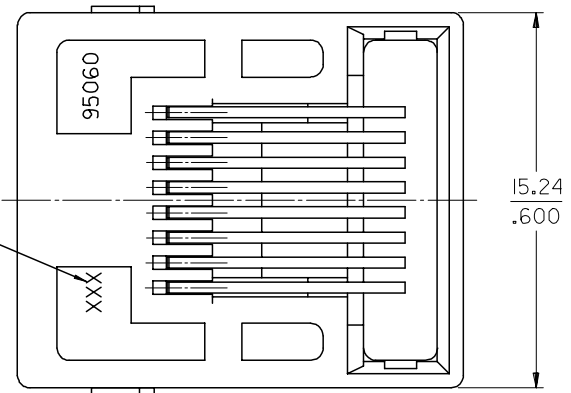
10 9 8 7 6 5 4 3 2 1

PART NUMBER	VERSION	PRODUCT SPECIFICATION	PLATING
95040-2881	STANDARD	PS 95040	2
95040-2889	HIGH TEMPERATURE	PS-95040-688	2
95040-4881	HIGH MATING CYCLES	PS-95040-001	7

**NOTES:**

- 1- MATERIAL :
  - HOUSING : POLYAMIDE 4/6 GLASS FILLED UL 94V0. COLOUR: BLACK 89992-0008
  - TERMINAL : PHOSPHOR BRONZE PLATED WITH :
    - PLATING 2 : 0.00127/.000050 MIN GOLD IN CONTACT AREA, 0.00190/.000075 MIN TIN IN TAIL AREA, BOTH OVER 0.00127/.000050 MIN NICKEL OVERALL
    - PLATING 7 : POST PLATE 0.00005/.000002 MIN GOLD OVER 0.00076/.000030 MIN PALLADIUM NICKEL IN CONTACT AREA 0.00190/.000075 MIN TIN IN TAIL AREA BOTH OVER 0.00127/.000050 MIN NICKEL OVERALL.
  - SHIELD : BRASS PLATED WITH 0.0020/.000078 MIN. TIN
- 2- P.C. BOARD THICKNESS : 1.57/.062 ±0.15/.006
- 3- JACK FOR MATING WITH F.C.C. 68 PLUGS 95043 MOLEX SERIES.
- 4- PRODUCT SPECIFICATION: SEE CHART
- 5- APPLICATION SPECIFICATION: MOLEX AS-95001
- 6- PACKAGING SPECIFICATION: MOLEX PK-95040
- 7- LOGO MAY BE MXF, MG OR MXI

SEE NOTE 7



MODIFIED SIDE WALLS EC NO: E2007-0681 DRWN:DBRYNES CHKD: APPR:EDMAHONY 2007/02/05 2007/02/05 2007/02/08	QUALITY SYMBOLS ▽=0 ◁=0	GENERAL TOLERANCES (UNLESS SPECIFIED) <table border="1"> <thead> <tr> <th></th> <th>mm</th> <th>INCH</th> </tr> </thead> <tbody> <tr> <td>4 PLACES</td> <td>±---</td> <td>±---</td> </tr> <tr> <td>3 PLACES</td> <td>±---</td> <td>±.01</td> </tr> <tr> <td>2 PLACES</td> <td>±0.25</td> <td>±.014</td> </tr> <tr> <td>1 PLACE</td> <td>±0.35</td> <td>±---</td> </tr> </tbody> </table>		mm	INCH	4 PLACES	±---	±---	3 PLACES	±---	±.01	2 PLACES	±0.25	±.014	1 PLACE	±0.35	±---	DIMENSION STYLE MM/IN	SCALE 5:1	DESIGN UNITS METRIC	THIRD ANGLE PROJECTION
		mm	INCH																		
	4 PLACES	±---	±---																		
	3 PLACES	±---	±.01																		
2 PLACES	±0.25	±.014																			
1 PLACE	±0.35	±---																			
DRAWN BY CB	DATE 89/04/12	TITLE RIGHT ANGLE LOW PROFILE SHIELDED PC JACK (THROUGH HOLE VERSION)	MOLEX INCORPORATED																		
CHECKED BY TB	DATE 89/04/12	APPROVED BY JB					DATE 89/04/12														
MATERIAL NO.		DOCUMENT NO. SDA-95040		SHEET NO. 1 OF 3																	
DRAFT WHERE APPLICABLE MUST REMAIN WITHIN DIMENSIONS																					

9 8 7 6 5 4 3 2 1