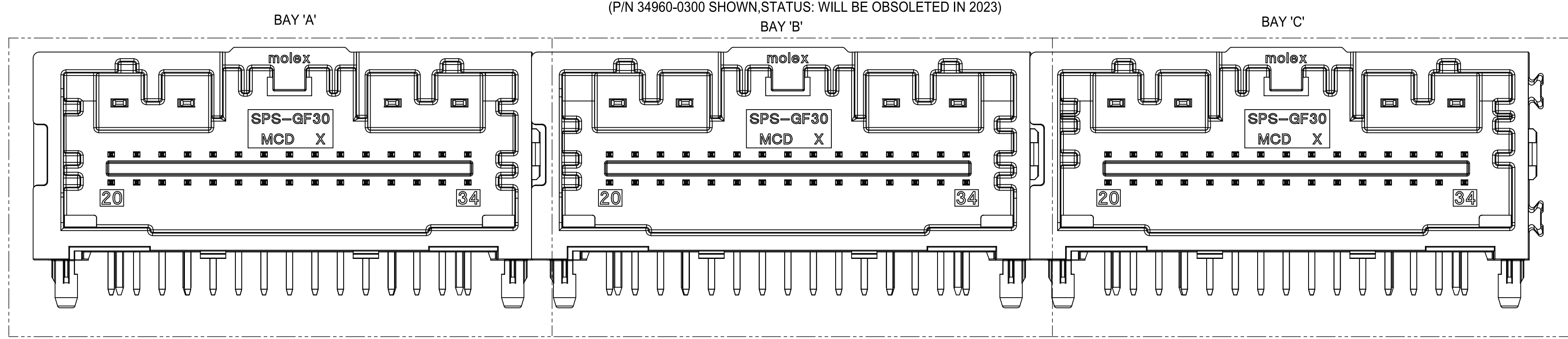


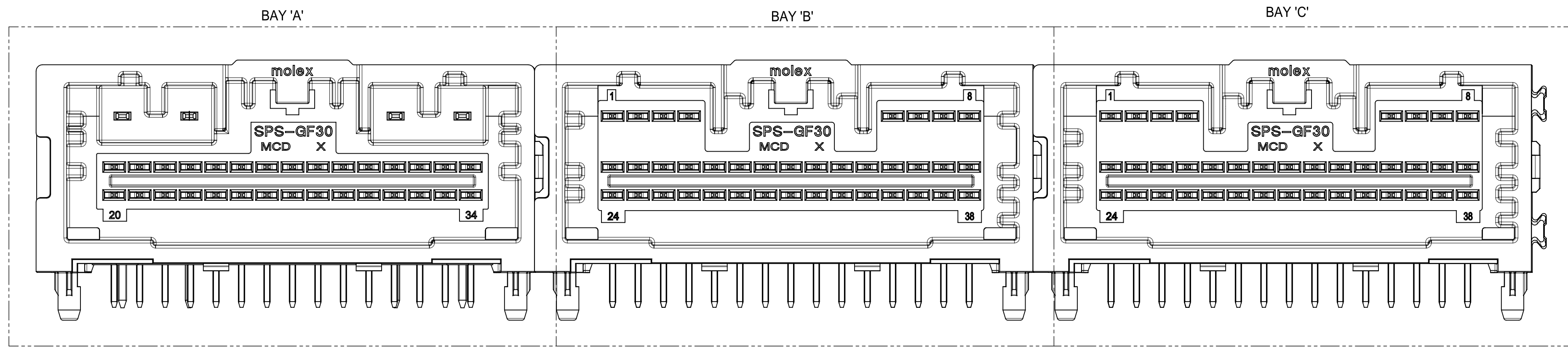
| TABLE OF CONTENTS | |
|-------------------|---|
| SHEET NO. | SHEET DESCRIPTION |
| 1 | NOTES, INSPECTION BALLOON NUMBER LOG, REV. COLUMN, 3-BAY MINI50 RIGHT ANGLE HEADER ASSEMBLY VIEW, NOMINAL DIMENSION RANGE |
| 2 | DIMENSIONAL CHART FOR MULTIBAY CONFIGURATION DEPOLULATED HEADER PIN CONFIGURATION |
| 3 | DETAIL DIMENSION VIEW |

- NOTES: VALID UNLESS OTHERWISE SPECIFIED
- GENERAL:
 - PRODUCT SPECIFICATION: PS-34959-001
 - APPLICATION SPECIFICATION: AS-34959-001
 - PACKAGING SPECIFICATION PER MOLEX DRAWING PK-31302-070 (TRAY)
 - PACKAGING SPECIFICATION PER MOLEX DRAWING PK-31301-688 (TUBE)
 - TEST SUMMARY: TS-34961-001
 - COSMETIC SPECIFICATION: PS-45499-002 Class B
 - GEOMETRIC TOLERANCING: SEE DIN 16901 TABLE
 - MATES WITH: SD-34959-030
 - DESIGN: MATERIALS:
 - SHROUD (PLASTIC HOUSING): RESIN - SPS
 - PIN ALIGNMENT PLATE:
 - RESIN - SPS
 - COLOR: BLACK
 - 0.50mm BLADES:
 - BASE MATERIAL: BRASS
 - PLATING TYPE: AS NOTED
 - 1.20mm BLADES:
 - BASE MATERIAL: BRASS
 - PLATING TYPE: AS NOTED
 - PLATING REQUIREMENTS:
 - UNDERPLATING - OVERALL NICKEL
 - OVERPLATING - OVERALL REFLOW TIN
 - FOR DESCRIPTION OF INDIVIDUAL BAYS, REFER TO THE FOLLOWING SINGLE BAY DRAWINGS:
 - PART NUMBER: 34961-03XX, REFER TO SD-34961-030
 - PART NUMBER: 34961-13XX, REFER TO SD-34961-130

3-BAY MINI50 RIGHT ANGLE HEADER ASSEMBLY
PIN INSERTION DIRCTION FROM PCB SIDE TO MATING SIDE
(P/N 34960-0300 SHOWN, STATUS: WILL BE OBSOLETE IN 2023)



3-BAY MINI50 RIGHT ANGLE HEADER ASSEMBLY
PIN INSERTION DIRCTION FROM MATING SIDE TO PCB SIDE
(P/N 34960-0318 SHOWN, STATUS: SALEABLE)



| INSPECTION BALLOON NUMBER LOG | |
|-------------------------------|----|
| PER DRAWING REVISION: | B2 |
| LAST BALLOON NUMBER USED: | 6a |
| ADDED BALLOON NUMBERS: | |
| REMOVED BALLOON NUMBERS: | |

| DIN 16901 | CODE LETTER | NOMINAL DIMENSION RANGE | | | | | | | | | | | | | |
|-------------|-------------|-------------------------|-------|-------|-------|-------|-------|-------|-------|-------|-------|-------|-------|-------|-----|
| | | OVER UP TO | 0 | 1 | 3 | 6 | 10 | 15 | 22 | 30 | 40 | 53 | 70 | 90 | 120 |
| PRECISION | A | ±0.10 | ±0.12 | ±0.14 | ±0.16 | ±0.20 | ±0.22 | ±0.24 | ±0.26 | ±0.28 | ±0.31 | ±0.35 | ±0.40 | ±0.50 | |
| ENGINEERING | B | ±0.05 | ±0.06 | ±0.07 | ±0.08 | ±0.10 | ±0.12 | ±0.14 | ±0.16 | ±0.18 | ±0.21 | ±0.25 | ±0.30 | ±0.40 | |

A: FOR NON-MOLD RELATED DIMENSIONS (ACROSS PARTING LINE)
B: FOR MOLD RELATED DIMENSIONS (WITHIN MOLD COMPONENTS)

| | | |
|-----|---|-------------|
| B2 | SHEET 1: ADDED VIEW OF 3BAY DIFFERENET PIN INSERTION DIRCTION'S HEADER SHEET 2: ADDED NEW PART NUMBER | CO-00000686 |
| B1 | 1. SHEET 1: UPDATED NOTES INFORMATION. 2. SHEET 2: ADDED NEW PART NUMBER : 34960-0314 3. SHEET 3: UPDATED POST HOLE SIZE IN RECOMMENDED PCB LAYOUT 4. SHEET 3: UPDATED DIM 1: 2.75±0.50 WAS 2.73±0.50 5. SHEET 3: ADDED DIMENISON 2a, 2b, 3a 6. SHEET 3: REMOVED DIMENSION 2,4,5,7,8,9,10,11 | 640175 |
| B | ADDED NEW 3_BAY PART NUMBER IN SHEET 1: 34960-0311/34960-0312 | 613433 |
| REV | REV DESCRIPTION | ECN SAP NO. |

| | | | | |
|--------------------|---|------------|---|--|
| FUNCTIONAL SYMBOLS | THIS DRAWING CONTAINS INFORMATION THAT IS PROPRIETARY TO MOLEX ELECTRONIC TECHNOLOGIES, LLC AND SHOULD NOT BE USED WITHOUT WRITTEN PERMISSION | | CURRENT REV DESC: REFER TO REVISION COLUMN | |
| FA = 0 | DIMENSION UNITS: mm | SCALE: 4:1 | <p>molex</p> <p>34 & 38 CKT MINI50 3-BAY R/A HEADER ASSEMBLY SALES DRAWING</p> <p>PRODUCT SALES DRAWING</p> <p>DOCUMENT NUMBER: SD-34960-0300 DOC TYPE: PSD DOC PART: 001 REVISION: B2</p> <p>PHASE: Design Production CO NO: CO-00000686 DRWN: Shanks Wu 2022-06-08 CHK'D: Ringo Hu 2022-06-28 APPR: Colin Zhang 2022-07-04</p> <p>INITIAL REVISION: DRWN: RFC_PLMIMP APPR:</p> <p>DRAFT WHERE APPLICABLE MUST REMAIN WITHIN DIMENSIONS</p> <p>THIRD ANGLE PROJECTION</p> <p>DRAWING: D-SIZE SERIES: 34960</p> <p>MATERIAL NUMBER: CUSTOMER: GENERAL MARKET SHEET NUMBER: 1 OF 3</p> | |
| FC = 0 | GENERAL TOLERANCES (UNLESS SPECIFIED) | | | |
| FP = 0 | ANGULAR TOL ± 1.0° | | | |
| DIVISIONAL SYMBOLS | 4 PLACES ± | 3 PLACES ± | | |
| | 2 PLACES ± | 1 PLACE ± | | |
| | 0 PLACES ± | | | |

| TABLE OF CONTENTS | |
|-------------------|--|
| SHEET NO. | SHEET DESCRIPTION |
| 2 | DIMENSIONAL CHART FOR MULTIBAY CONFIGURATION DEPOLULATED HEADER PIN CONFIGURATION |

DIMENSIONAL CHART FOR MULTIBAY CONFIGURATION:

| 3 BAY PART NUMBER (TUBE PKG) | 3 BAY PART NUMBER (TRAY PKG) | BAY A | | | | | BAY B | | | | | BAY C | | | | | STATUS |
|------------------------------|------------------------------|------------|----------------|-----------|---------|--------------|------------|----------------|-----------|---------|--------------|------------|----------------|-----------|---------|--------------|--------------------------|
| | | P/N | INTERFACE TYPE | POL | COLOR | QT'Y OF PINS | P/N | INTERFACE TYPE | POL | COLOR | QT'Y OF PINS | P/N | INTERFACE TYPE | POL | COLOR | QT'Y OF PINS | |
| TBD | 34960-0300 | 34961-0341 | 34CKT | B | GREY | 34 | 34961-0342 | 34CKT | C | DK GREY | 34 | 34961-0340 | 34CKT | A | BLACK | 34 | WILL BE OBSOLETE IN 2023 |
| TBD | 34960-0301 | 34961-0380 | 38CKT | A | BLACK | 38 | 34961-0381 | 38CKT | B | GREY | 38 | 34961-0382 | 38CKT | C | DK GREY | 38 | OBSOLETE |
| TBD | 34960-0311 | 34961-0383 | 38CKT | UPDATED A | BLACK | 38 | 34961-0384 | 38CKT | UPDATED B | GREY | 38 | 34961-0385 | 38CKT | UPDATED C | DK GREY | 38 | WILL BE OBSOLETE IN 2023 |
| ★ | TBD | 34960-0312 | 38CKT | UPDATED A | BLACK | 30 | 34961-1383 | 38CKT | UPDATED B | GREY | 30 | 34961-1384 | 38CKT | UPDATED C | DK GREY | 30 | WILL BE OBSOLETE IN 2023 |
| TBD | 34960-0313 | 34961-0340 | 34CKT | A | BLACK | 34 | 34961-0384 | 38CKT | UPDATED B | GREY | 38 | 34961-0385 | 38CKT | UPDATED C | DK GREY | 38 | WILL BE OBSOLETE IN 2023 |
| ★ | TBD | 34960-0314 | 38CKT | UPDATED C | DK GREY | 34 | 34961-1344 | 34CKT | A | BLACK | 32 | 34961-1385 | 38CKT | UPDATED A | BLACK | 14 | WILL BE OBSOLETE IN 2023 |
| (B2) | TBD | 34960-0315 | 34CKT | B | GREY | 34 | 34961-0345 | 34CKT | C | DK GREY | 34 | 34961-0343 | 34CKT | A | BLACK | 34 | SALEABLE |
| (B2) | TBD | 34960-0316 | 38CKT | UPDATED A | BLACK | 38 | 34961-0387 | 38CKT | UPDATED B | GREY | 38 | 34961-0388 | 38CKT | UPDATED C | DK GREY | 38 | SALEABLE |
| (B2)★ | TBD | 34960-0317 | 38CKT | UPDATED A | BLACK | 30 | 34961-1390 | 38CKT | UPDATED B | GREY | 30 | 34961-1391 | 38CKT | UPDATED C | DK GREY | 30 | SALEABLE |
| (B2) | TBD | 34960-0318 | 34CKT | A | BLACK | 34 | 34961-0387 | 38CKT | UPDATED B | GREY | 38 | 34961-0388 | 38CKT | UPDATED C | DK GREY | 38 | SALEABLE |
| (B2)★ | TBD | 34960-0319 | 38CKT | UPDATED C | DK GREY | 34 | 34961-1350 | 34CKT | A | BLACK | 32 | 34961-1392 | 38CKT | UPDATED A | BLACK | 14 | SALEABLE |


MARKED ★ ITEM'S COMPONENT NUMBER REFER TO DEPOLULATED HEADER PIN CONFIGURATION

(B2) DEPOLULATED HEADER PIN CONFIGURATION

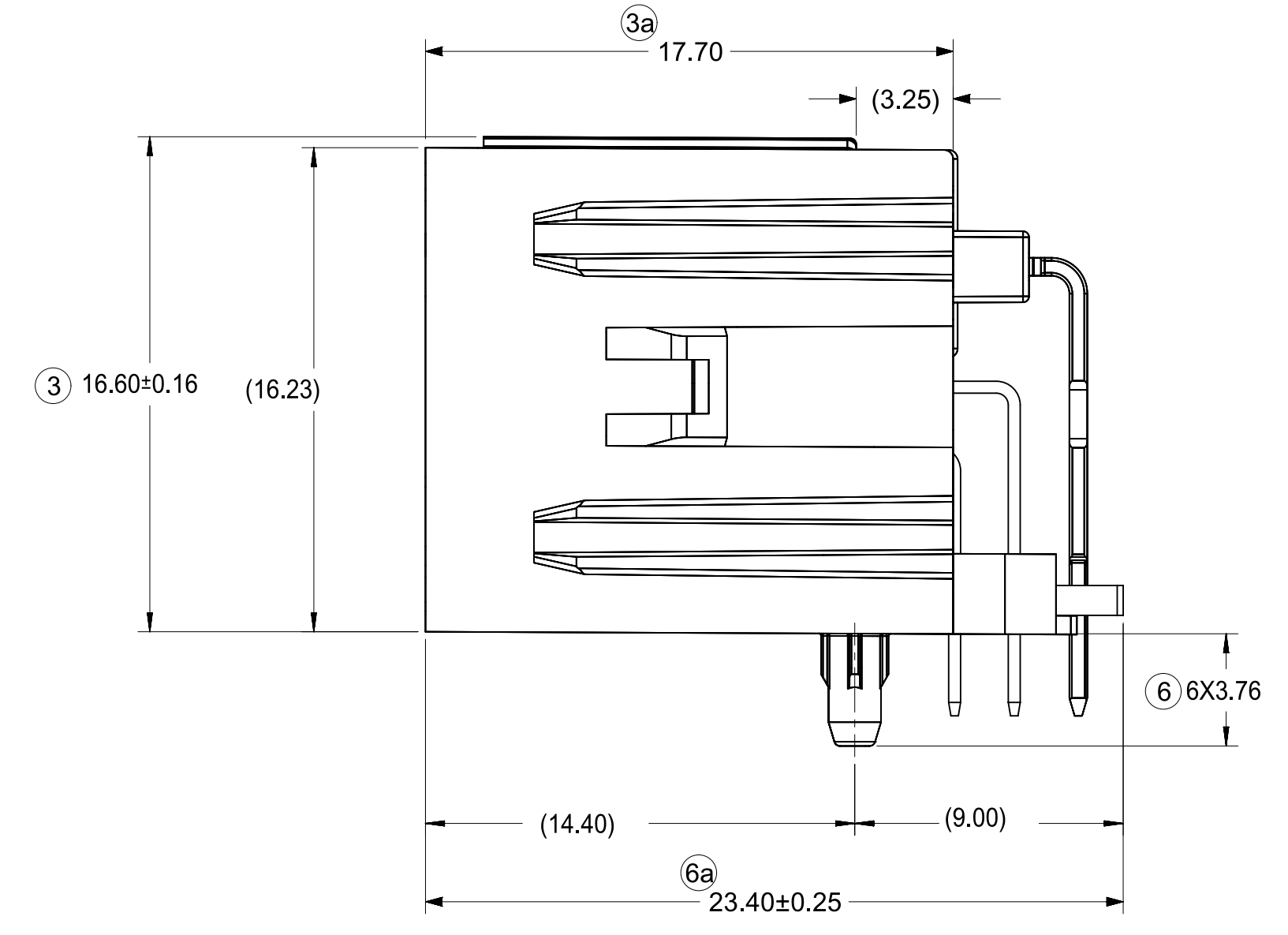
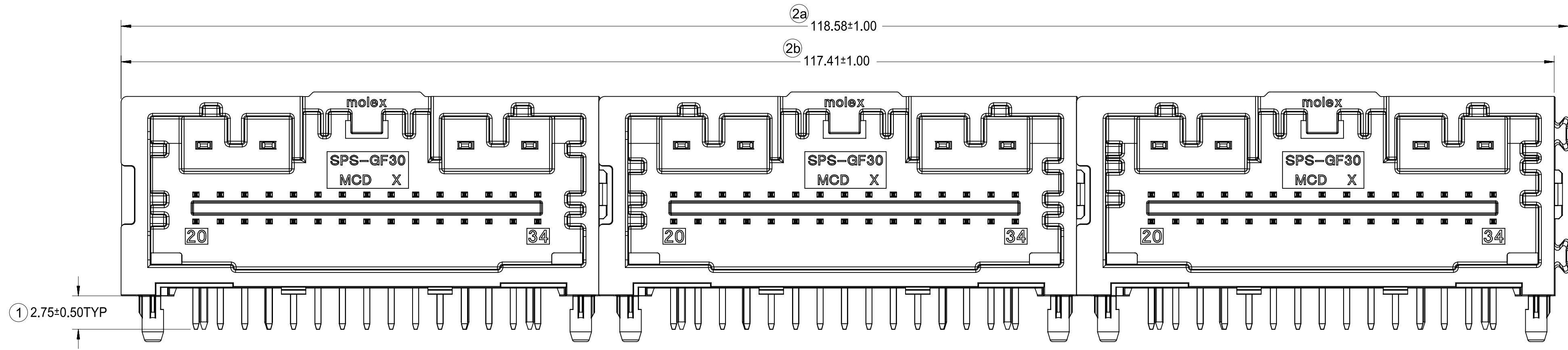
| PART NUMBER | POL | COLOR | 0.50mm PIN INSERTION DIRCTION | QT'Y OF PIN | PIN-OUT CONFIGURATION | | | | | | | | | | | | | | | | | | | | | | | |
|-------------|-----------|---------|-------------------------------|-------------|-----------------------|----|----|----|----|----|----|----|----|----|----|----|----|----|----|----|----|----|----|----|----|----|----|--|
| | | | | | 1 | 2 | 3 | 4 | 5 | 6 | 7 | 8 | 9 | 10 | 11 | 12 | 13 | 14 | 15 | 16 | 17 | 18 | 19 | 20 | 21 | 22 | 23 | |
| | | | | | 24 | 25 | 26 | 27 | 28 | 29 | 30 | 31 | 32 | 33 | 34 | 35 | 36 | 37 | 38 | | | | | | | | | |
| 34961-1382 | | | PCB TO MATING | 30 | - | - | - | - | | | | | | | | | | | | | | | | | | | | |
| 34961-1389 | UPDATED A | BLACK | MATING TO PCB | 30 | X | X | X | X | X | X | X | X | X | X | X | X | X | X | X | X | X | X | X | X | X | | | |
| 34961-1383 | | | PCB TO MATING | 30 | - | - | - | - | | | | | | | | | | | | | | | | | | | | |
| 34961-1390 | UPDATED B | GREY | MATING TO PCB | 30 | X | X | X | X | X | X | X | X | X | X | X | X | X | X | X | X | X | X | X | X | X | | | |
| 34961-1384 | | | PCB TO MATING | 30 | - | - | - | - | | | | | | | | | | | | | | | | | | | | |
| 34961-1391 | UPDATED C | DK GREY | MATING TO PCB | 30 | X | X | X | X | X | X | X | X | X | X | X | X | X | X | X | X | X | X | X | X | X | | | |
| 34961-1385 | | | PCB TO MATING | 30 | - | - | X | X | | | | | | | | | | | | | | | | | | | | |
| 34961-1392 | UPDATED A | BLACK | MATING TO PCB | 14 | - | - | - | - | - | X | X | - | - | - | - | - | - | - | - | - | - | - | - | - | - | | | |
| 34961-1386 | | | PCB TO MATING | 34 | X | X | - | - | X | X | - | - | - | - | - | X | X | - | - | X | X | - | - | X | X | | | |
| 34961-1393 | UPDATED C | DK GREY | MATING TO PCB | 34 | X | - | - | X | X | X | X | X | X | X | X | X | X | X | X | X | X | - | - | X | X | | | |

("X": WITH TERMINAL, "-": WITHOUT TERMINALS,CAVITY IS OPEN)

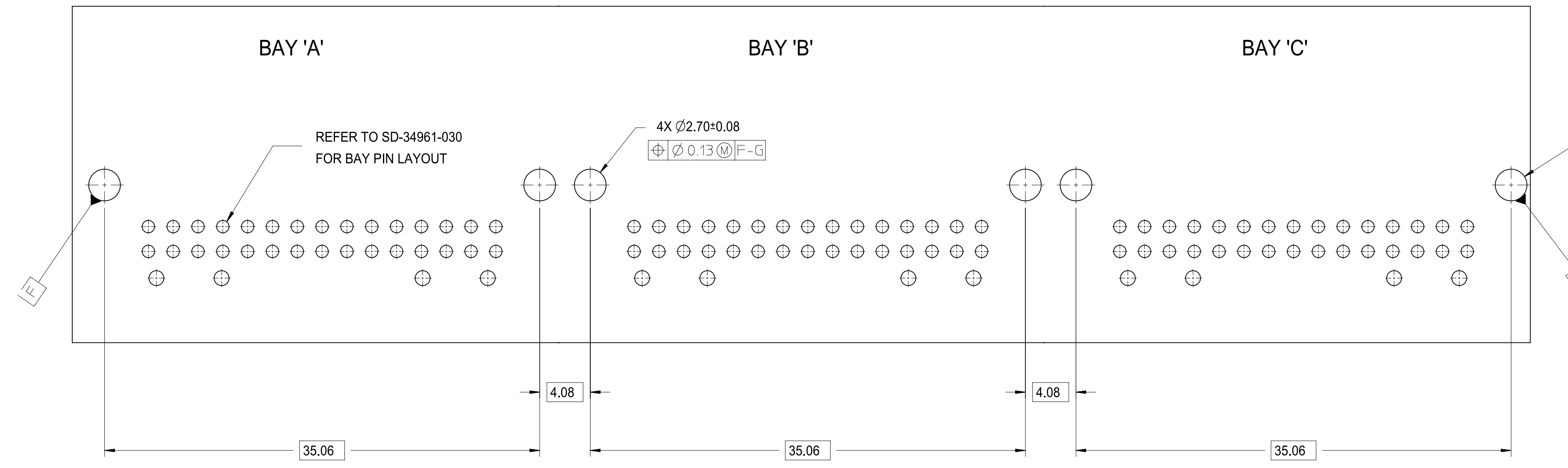
| PART NUMBER | POL | COLOR | 0.50mm PIN INSERTION DIRCTION | QT'Y OF PIN | PIN CONFIGURATION | | | | | | | | | | | | | | | | | | | |
|-------------|-----|-------|-------------------------------|-------------|-------------------|----|----|----|----|----|----|----|----|----|----|----|----|----|----|----|----|----|----|---|
| | | | | | 1 | 2 | 3 | 4 | 5 | 6 | 7 | 8 | 9 | 10 | 11 | 12 | 13 | 14 | 15 | 16 | 17 | 18 | 19 | |
| | | | | | 20 | 21 | 22 | 23 | 24 | 25 | 26 | 27 | 28 | 29 | 30 | 31 | 32 | 33 | 34 | | | | | |
| 34961-1344 | | | PCB TO MATING | 32 | X | X | | | | | | | | | | | | | | | X | X | | |
| 34961-1350 | A | BLACK | MATING TO PCB | 32 | X | X | X | - | X | X | X | X | X | X | X | X | X | X | X | X | - | X | X | X |

| | | | | | |
|--|---|------------|--|------------------------------|---|
| FUNCTIONAL SYMBOLS | THIS DRAWING CONTAINS INFORMATION THAT IS PROPRIETARY TO MOLEX ELECTRONIC TECHNOLOGIES, LLC AND SHOULD NOT BE USED WITHOUT WRITTEN PERMISSION | | CURRENT REV DESC: REFER TO REVISION COLUMN | |  <p>34 & 38 CKT MINI50 3-BAY R/A HEADER ASSEMBLY SALES DRAWING</p> |
| $F_A = 0$ | DIMENSION UNITS: mm | SCALE: 1:1 | PHASE: Design Production | | |
| $F_C = 0$ | GENERAL TOLERANCES (UNLESS SPECIFIED) | | CO NO: CO-00000686 | | |
| $F_P = 0$ | ANGULAR TOL ± 1.0° | | DRWN: Shanks Wu 2022-06-08 | | |
| DIVISIONAL SYMBOLS | 4 PLACES ± | 3 PLACES ± | 2 PLACES ± | 1 PLACE ± | 0 PLACES ± |
| DRAFT WHERE APPLICABLE MUST REMAIN WITHIN DIMENSIONS | | | THIRD ANGLE PROJECTION | DRAWING: D-SIZE | SERIES: 34960 |
| PRODUCT SALES DRAWING | | | INITIAL REVISION: DRWN: RFC_PLMIMP | APPR: Colin Zhang 2022-07-04 | DOCUMENT NUMBER: SD-34960-0300 |
| MATERIAL NUMBER: PSD 001 | | | CUSTOMER: GENERAL MARKET | | REVISION: B2 |
| SHEET NUMBER: 2 OF 3 | | | | | |

| TABLE OF CONTENTS | |
|-------------------|-----------------------|
| SHEET NO. | SHEET DESCRIPTION |
| 3 | DETAIL DIMENSION VIEW |



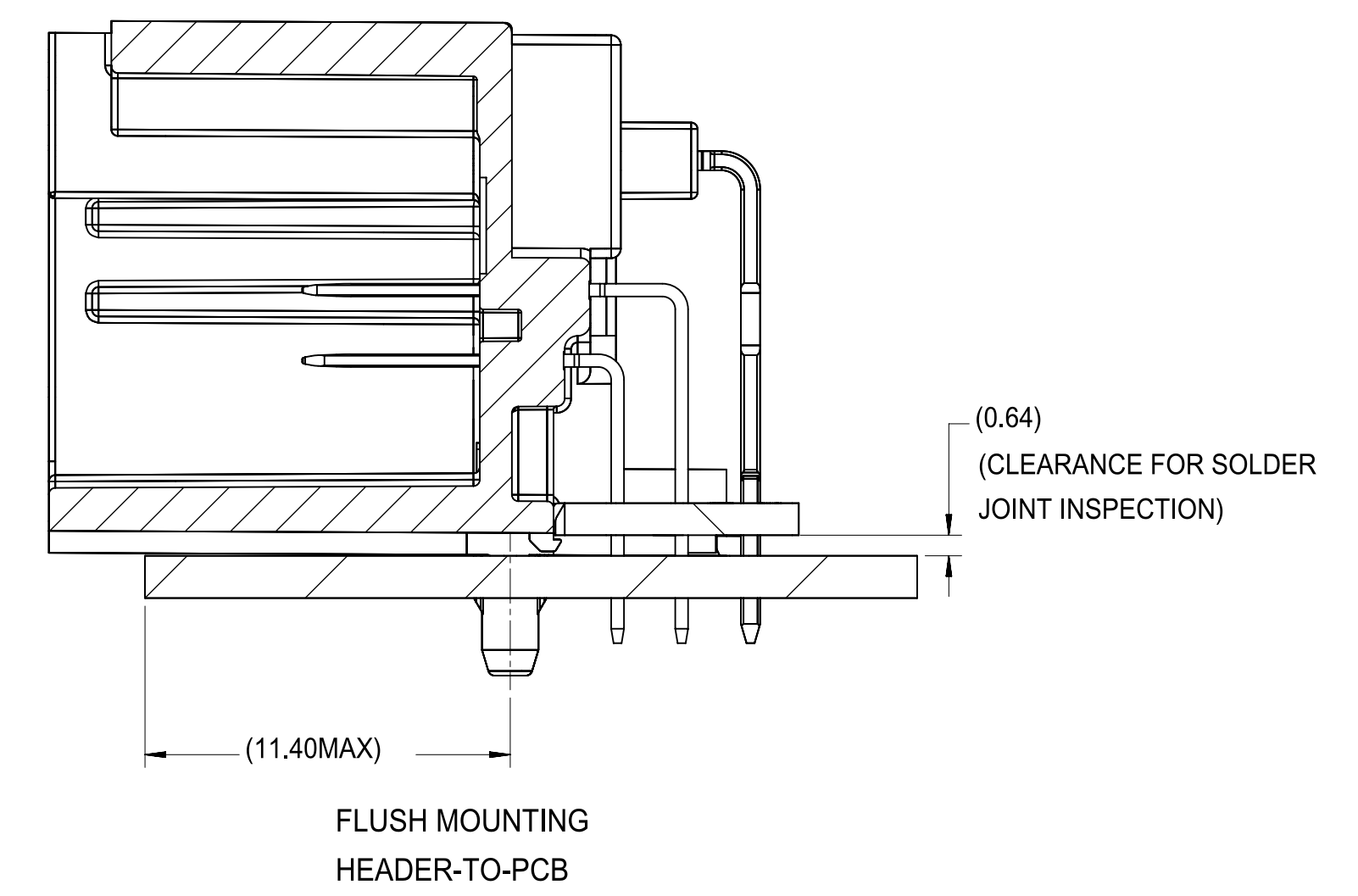
RECOMMENDED PCB LAYOUT



2X ØE±0.08
 Ø 0.13 M F-G
 REFER TO POST HOLE TABLE

POST HOLE TABLE:
 FOR DIM E:

| | |
|------------|------|
| PRESS FIT: | 2.30 |
| DROP IN: | 2.85 |



| | | | | |
|--|---|--|--|--|
| FUNCTIONAL SYMBOLS FA = 0 FC = 0 FP = 0 | THIS DRAWING CONTAINS INFORMATION THAT IS PROPRIETARY TO MOLEX ELECTRONIC TECHNOLOGIES, LLC AND SHOULD NOT BE USED WITHOUT WRITTEN PERMISSION | SCALE: 1:1 | CURRENT REV DESC: REFER TO REVISION COLUMN | |
| | DIMENSION UNITS: mm | GENERAL TOLERANCES (UNLESS SPECIFIED): ANGULAR TOL ± 1.0° | PHASE: Design Production CO NO: CO-000000686 DRWN: Shanks Wu CHK'D: Ringo Hu APPR: Colin Zhang | 2022-06-08 2022-06-28 2022-07-04 |
| DIVISIONAL SYMBOLS | 4 PLACES ± 3 PLACES ± 2 PLACES ± 1 PLACE ± 0 PLACES ± | DRAFT WHERE APPLICABLE MUST REMAIN WITHIN DIMENSIONS | THIRD ANGLE PROJECTION | DRAWING: D-SIZE SERIES: 34960 |
| MATERIAL NUMBER: SD-34960-0300 | | CUSTOMER: GENERAL MARKET | DOC TYPE: PSD | DOC PART: 001 |
| SHEET NUMBER: 3 OF 3 | | REVISION: B2 | | |

molex

34 & 38 CKT MINI50 3-BAY
 R/A HEADER ASSEMBLY SALES DRAWING

PRODUCT SALES DRAWING

DOCUMENT NUMBER: SD-34960-0300
 DOC TYPE: PSD
 DOC PART: 001
 REVISION: B2

MATERIAL NUMBER: SD-34960-0300
 CUSTOMER: GENERAL MARKET
 SHEET NUMBER: 3 OF 3