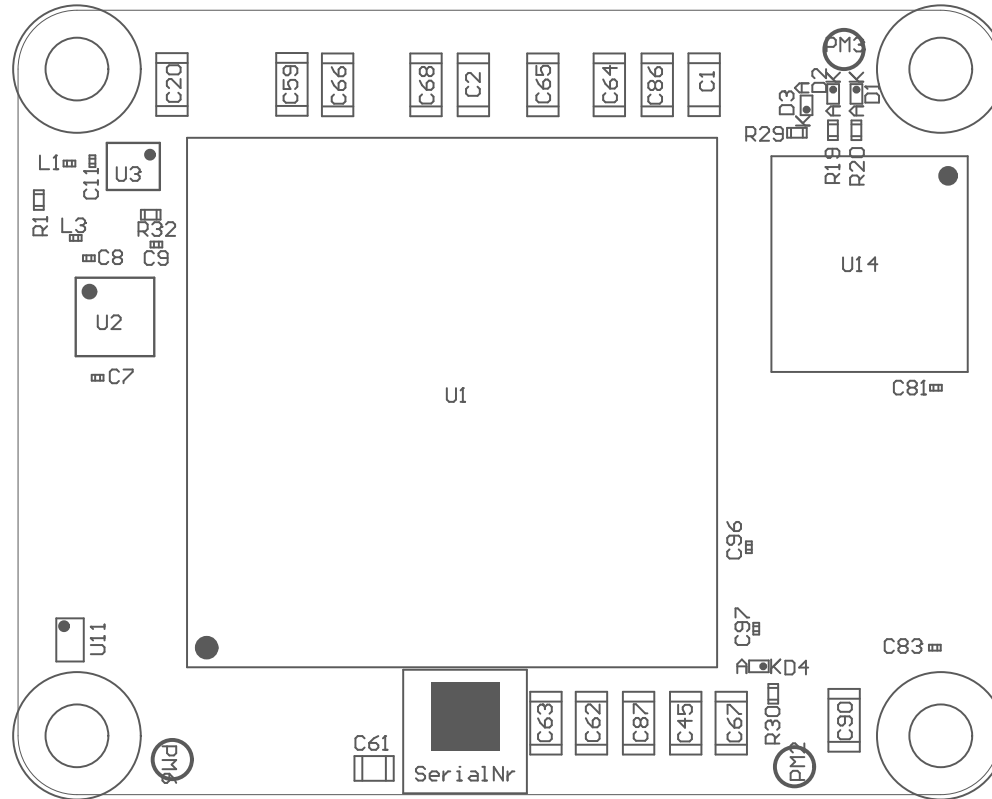


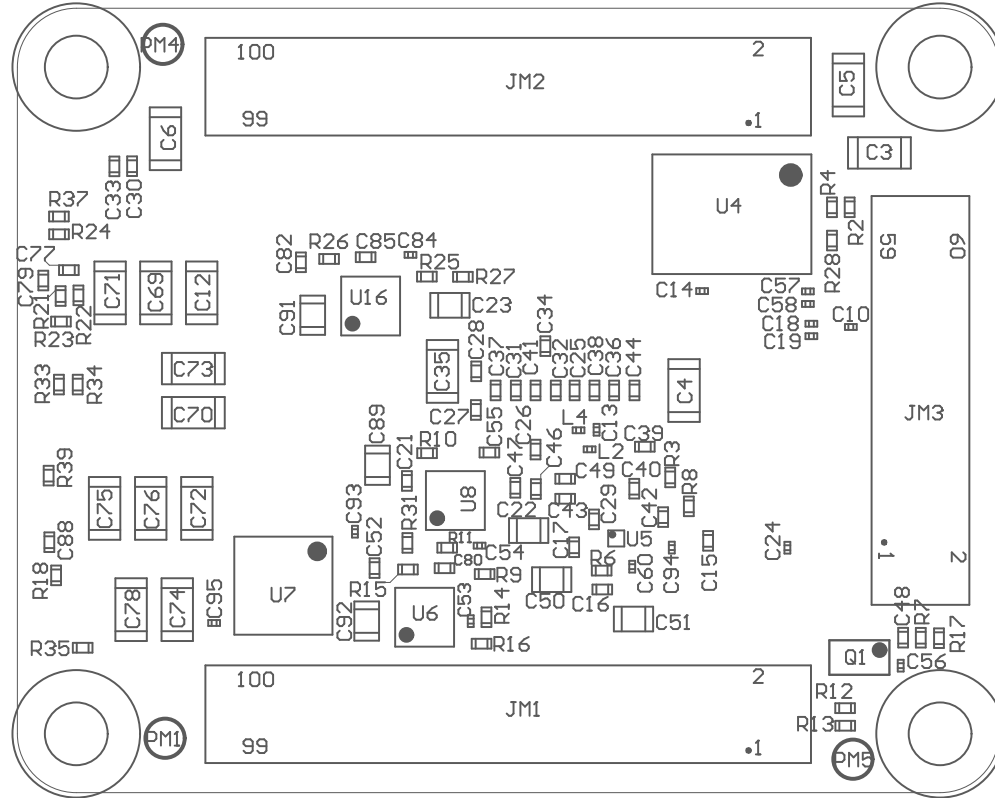
Variant name: TE0741-03-160-2C1

# Top View



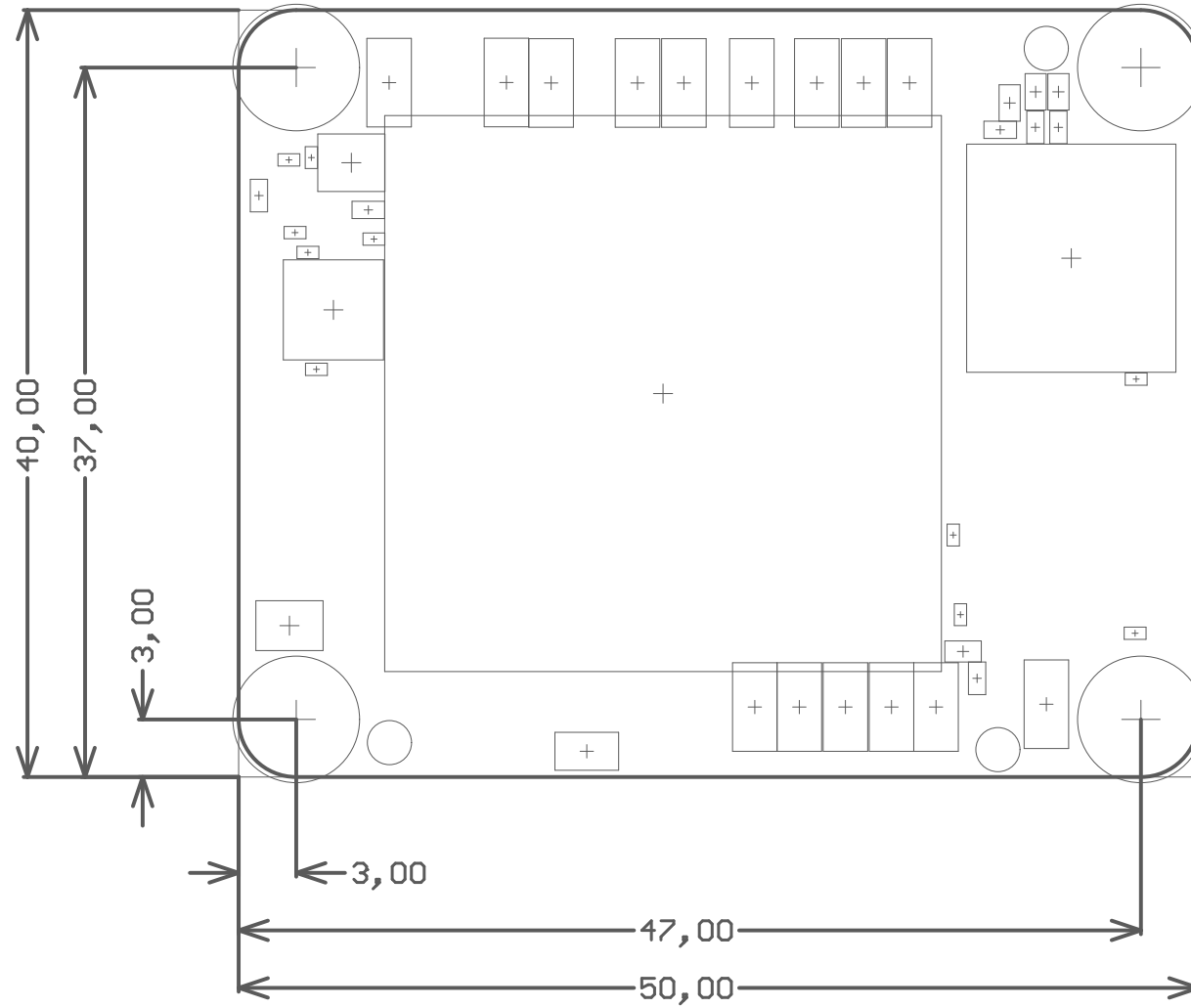
Variant name: TE0741-03-160-2C1

# Bottom View



Top View

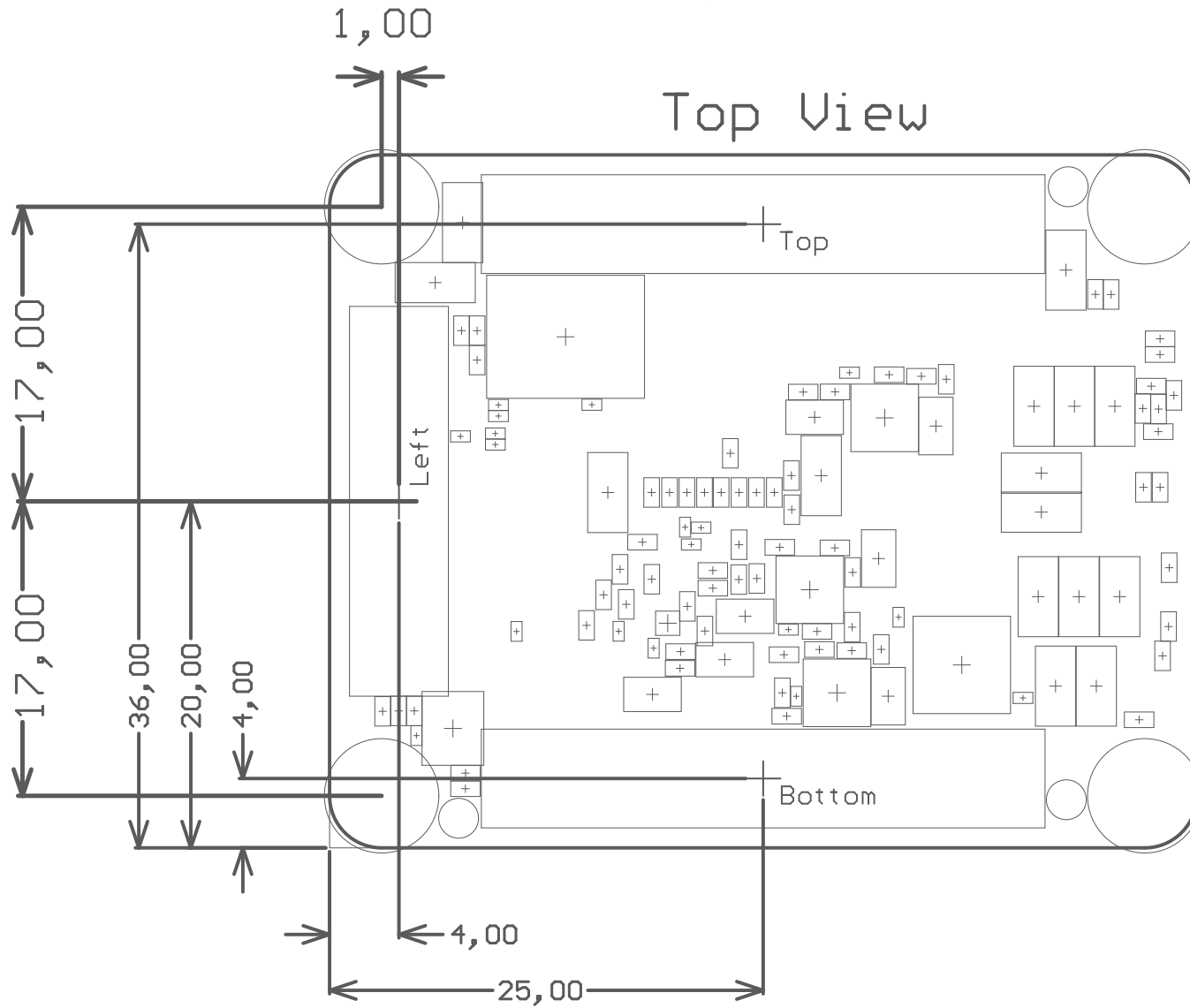
Top View



Mounting Holes

Top View

Top View



Samtec Connectors