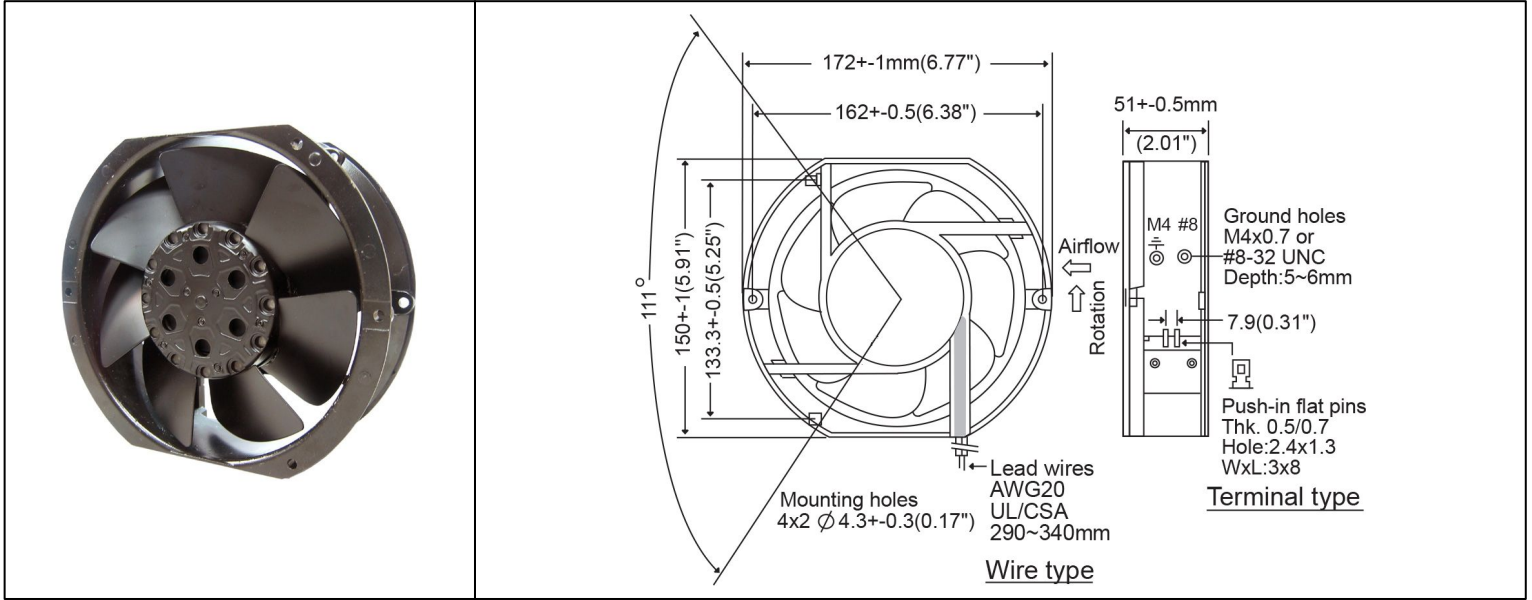


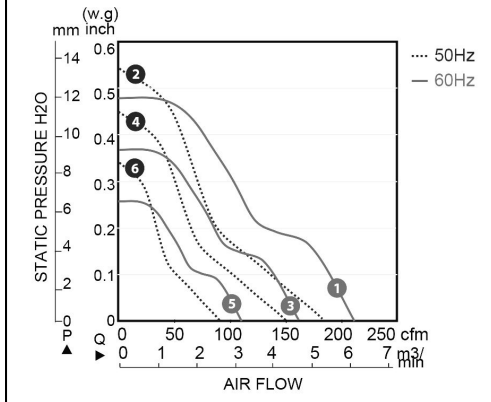
OA172SAP All Metal Series



AC Fans - 115, 230V
172mm x 150mm x 51mm (6.8" x 5.9" x 2.0")



Frame	Die Cast Aluminum, Black Painted or Natural Aluminum Finish	Operating Temperature -30°C ~ +80°C
Impeller	Steel Alloy, Black Finish	Storage Temperature -40°C ~ +100°C
Connection	2x Lead Wires, 20 AWG, or Terminals	Life Expectancy 50,000 Hours (L10 at 55°C)
Motor	Capacitor Induction, Single Phase, Auto Cutoff, Auto Reset, Thermally Protected	Installed Options IP55 Rated Motor
Bearing System	Ball Bearings	Available Options Dual Speed versions Other voltages
Dielectric Strength	1500VAC/min, <5mA	Weight: 2.7 lbs.
Insulation Resistance	≥100MΩ @ 500 VDC	



Part Number	Rated Voltage (Volts AC)	Voltage Range (Volts AC)	Frequency (Hertz)	Input Power (Watts)	Rated Speed (RPM)	Max Airflow (CFM)	Noise Level (dBA)	Max Static Pressure ("H ₂ O)
OA172SAP-11-1*B1855	115	100 ~ 130	50 / 60	47 / 42	2750 / 3100	185 / 210	58	0.55 / 0.49
OA172SAP-11-2*B1855	115	100 ~ 130	50 / 60	35 / 32	2300 / 2400	150 / 160	48	0.45 / 0.38
OA172SAP-11-3*B1855	115	100 ~ 130	50 / 60	23 / 20	1500 / 1600	95 / 105	35	0.32 / 0.26
OA172SAP-22-1*B1855	230	200 ~ 260	50 / 60	47 / 42	2750 / 3100	185 / 210	58	0.55 / 0.49
OA172SAP-22-2*B1855	230	200 ~ 260	50 / 60	35 / 32	2300 / 2400	150 / 160	48	0.45 / 0.38
OA172SAP-22-3*B1855	230	200 ~ 260	50 / 60	23 / 20	1500 / 1600	95 / 105	35	0.32 / 0.26

* Substitute "T" for Terminal connection type, or "W" for Wire Lead connection type.