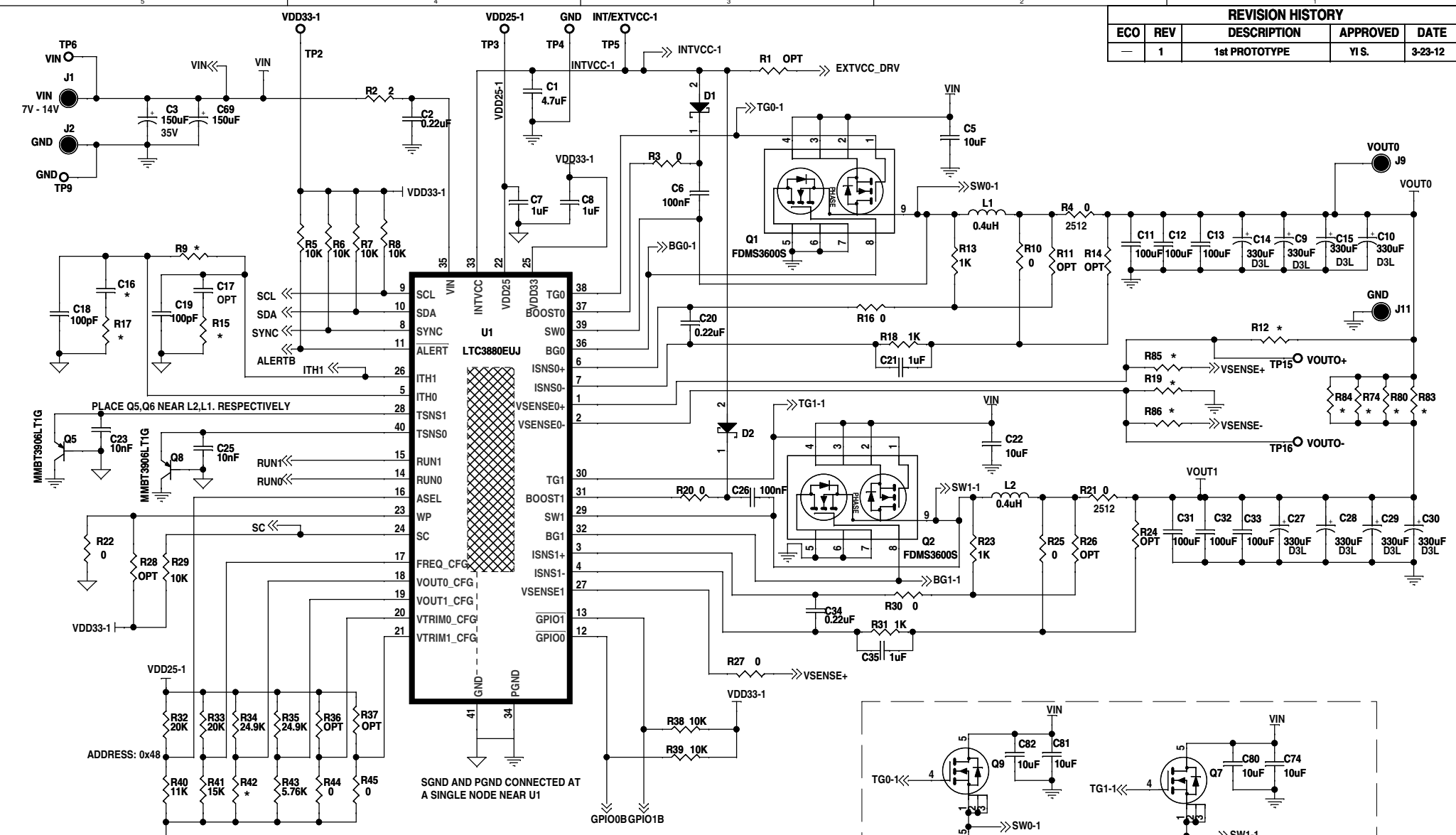
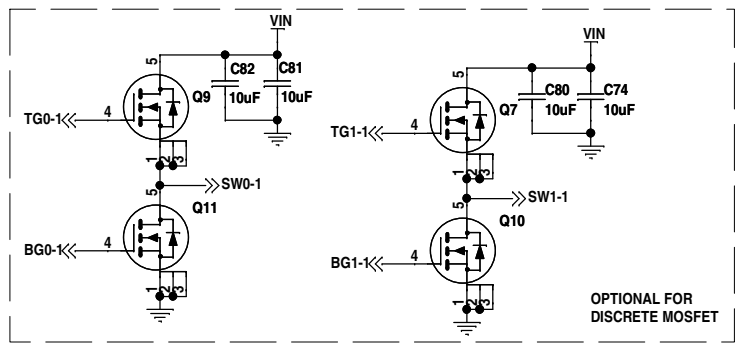


REVISION HISTORY				
ECO	REV	DESCRIPTION	APPROVED	DATE
-	1	1st PROTOTYPE	YI.S.	3-23-12



SGND and PGND CONNECTED AT A SINGLE NODE NEAR U1

NOTE: UNLESS OTHERWISE SPECIFIED
 1. ALL RESISTORS ARE IN OHMS, 0603.
 ALL CAPACITORS ARE IN MICROFARADS, 0603.
 2. INSTALL SHUNTS AS SHOWN.



OPTIONAL FOR DISCRETE MOSFET

ASSY	Vout0 / Iout0	Vout1 / Iout1	Fsw	R9,R85,R86	R12,R19
-A	1.2V / 100A	-	425kHz	0	OPT
-B	1.5V / 25A	1.5V / 75A	425kHz	OPT	0

R84,R74,R80,R83	C17	C16	R15	R17	JP2	JP5
0	4.7nF	4.7nF	OPT	4.87K	"C"	"C"
OPT	4.7nF	4.7nF	0	4.87K	"NC"	"NC"

CUSTOMER NOTICE
 LINEAR TECHNOLOGY HAS MADE A BEST EFFORT TO DESIGN A CIRCUIT THAT MEETS CUSTOMER-SUPPLIED SPECIFICATIONS; HOWEVER, IT REMAINS THE CUSTOMER'S RESPONSIBILITY TO VERIFY PROPER AND RELIABLE OPERATION IN THE ACTUAL APPLICATION. COMPONENT SUBSTITUTION AND PRINTED CIRCUIT BOARD LAYOUT MAY SIGNIFICANTLY AFFECT CIRCUIT PERFORMANCE OR RELIABILITY. CONTACT LINEAR TECHNOLOGY APPLICATIONS ENGINEERING FOR ASSISTANCE.

APPROVALS	
PCB DES.	HZ
APP ENG.	YI.S.

LINEAR TECHNOLOGY
 1630 McCarthy Blvd.
 Milpitas, CA 95035
 Phone: (408)432-1900 www.linear.com
 Fax: (408)434-0507
 LTC Confidential-For Customer Use Only

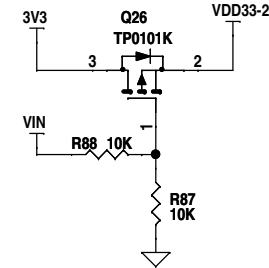
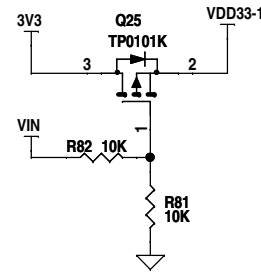
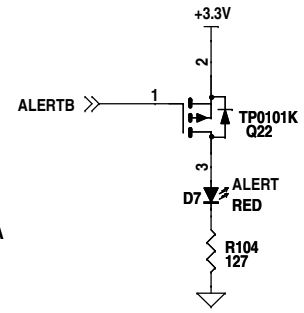
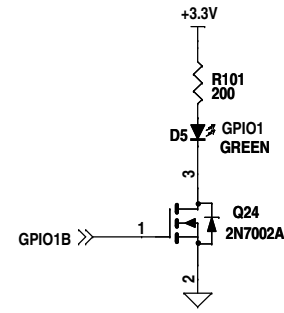
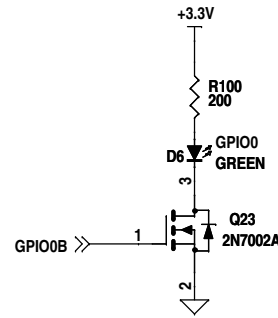
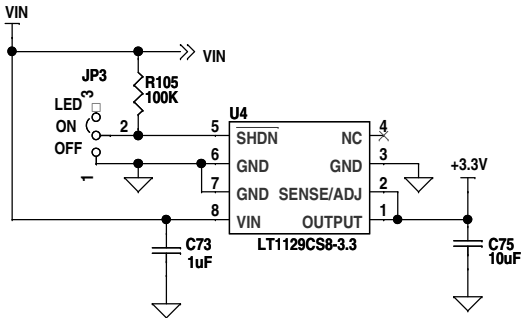
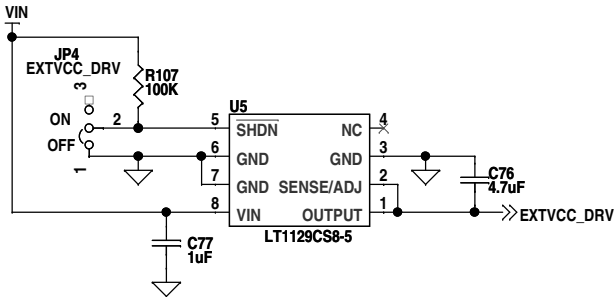
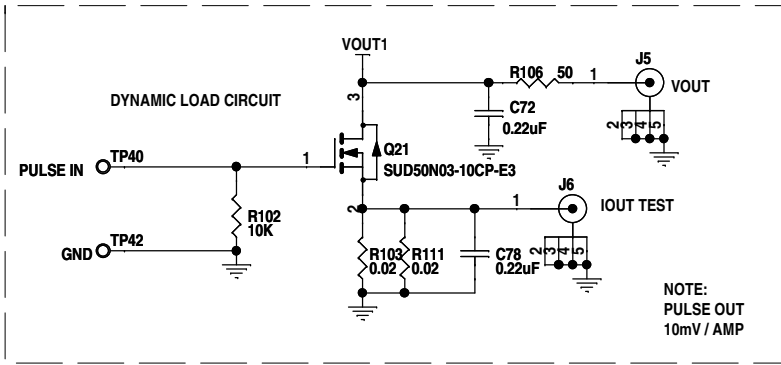
TITLE: SCHEMATIC
 POLYPHASE DC/DC CONVERTER WITH DIGITAL PWR MANAGEMENT

SIZE	IC NO.	LTC3880EUJ FAMILY	REV.
N/A		DEMO CIRCUIT 1740A	1

DATE: Tuesday, February 05, 2013
 SHEET 1 OF 4

THIS CIRCUIT IS PROPRIETARY TO LINEAR TECHNOLOGY AND SUPPLIED FOR USE WITH LINEAR TECHNOLOGY PARTS.

SCALE = NONE



CUSTOMER NOTICE

LINEAR TECHNOLOGY HAS MADE A BEST EFFORT TO DESIGN A CIRCUIT THAT MEETS CUSTOMER-SUPPLIED SPECIFICATIONS; HOWEVER, IT REMAINS THE CUSTOMER'S RESPONSIBILITY TO VERIFY PROPER AND RELIABLE OPERATION IN THE ACTUAL APPLICATION. COMPONENT SUBSTITUTION AND PRINTED CIRCUIT BOARD LAYOUT MAY SIGNIFICANTLY AFFECT CIRCUIT PERFORMANCE OR RELIABILITY. CONTACT LINEAR TECHNOLOGY APPLICATIONS ENGINEERING FOR ASSISTANCE.

THIS CIRCUIT IS PROPRIETARY TO LINEAR TECHNOLOGY AND SUPPLIED FOR USE WITH LINEAR TECHNOLOGY PARTS.

APPROVALS

PCB DES.	HZ
APP ENG.	YI S.

SCALE = NONE



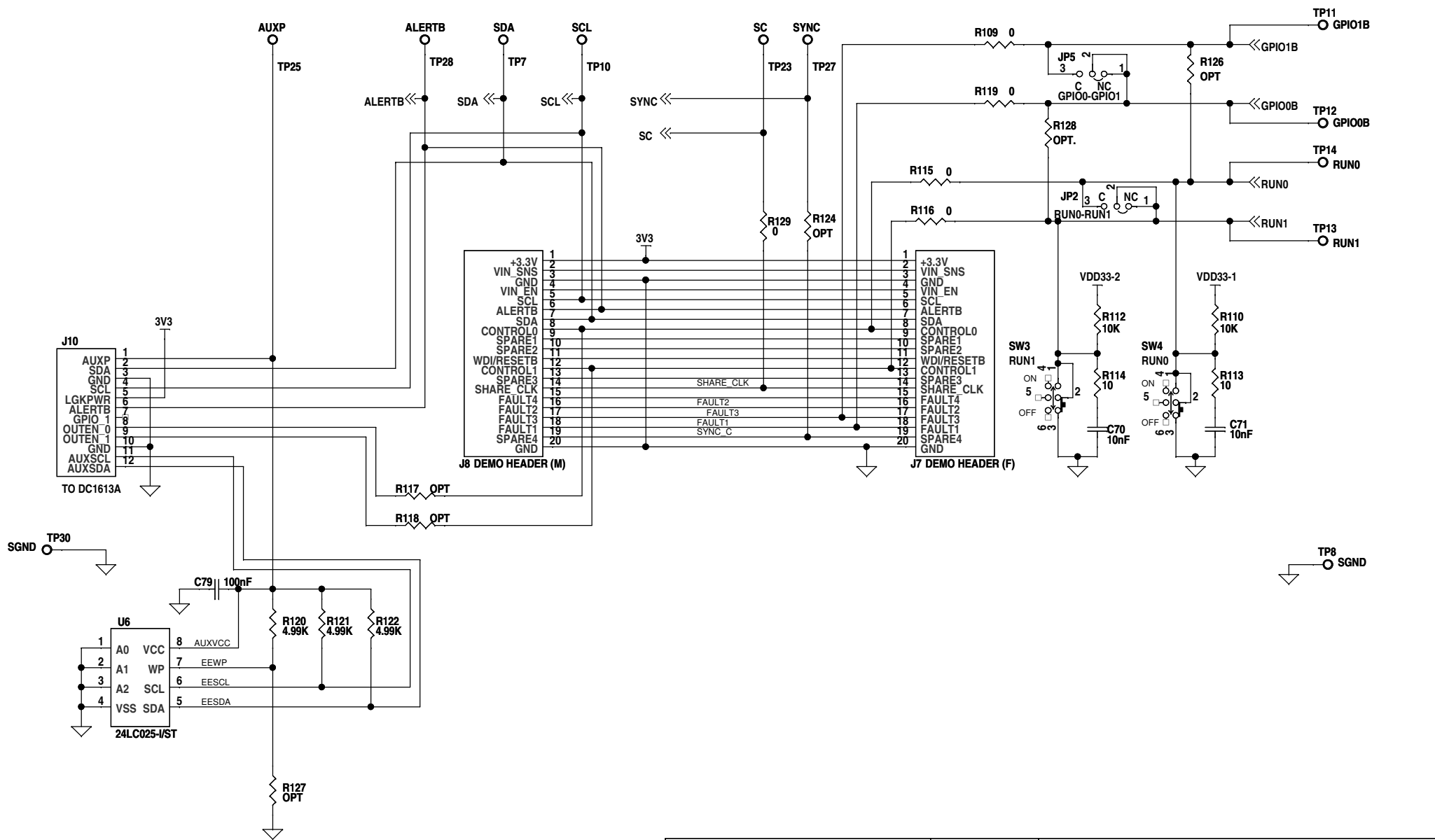
1630 McCarthy Blvd.
Milpitas, CA 95035
Phone: (408)432-1900 www.linear.com
Fax: (408)434-0507
LTC Confidential-For Customer Use Only

TITLE: SCHEMATIC
POLYPHASE DC/DC CONVERTER WITH DIGITAL PWR MANAGEMENT

SIZE N/A	IC NO. LTC3880EIJ FAMILY DEMO CIRCUIT 1740A	REV. 1
-------------	---	-----------

DATE: Tuesday, February 05, 2013 SHEET 3 OF 4

ALL PARTS ON THIS PAGE ARE FOR DEMO ONLY, NOT NEEDED IN CUSTOMER DESIGN



<p>CUSTOMER NOTICE</p> <p>LINEAR TECHNOLOGY HAS MADE A BEST EFFORT TO DESIGN A CIRCUIT THAT MEETS CUSTOMER-SUPPLIED SPECIFICATIONS; HOWEVER, IT REMAINS THE CUSTOMER'S RESPONSIBILITY TO VERIFY PROPER AND RELIABLE OPERATION IN THE ACTUAL APPLICATION. COMPONENT SUBSTITUTION AND PRINTED CIRCUIT BOARD LAYOUT MAY SIGNIFICANTLY AFFECT CIRCUIT PERFORMANCE OR RELIABILITY. CONTACT LINEAR TECHNOLOGY APPLICATIONS ENGINEERING FOR ASSISTANCE.</p>		<p>APPROVALS</p>		<p>1630 McCarthy Blvd. Milpitas, CA 95035 Phone: (408)432-1900 www.linear.com Fax: (408)434-0507 LTC Confidential-For Customer Use Only</p>	
		PCB DES.	HZ		
<p>THIS CIRCUIT IS PROPRIETARY TO LINEAR TECHNOLOGY AND SUPPLIED FOR USE WITH LINEAR TECHNOLOGY PARTS.</p>		<p>SCALE = NONE</p>		<p>TITLE: SCHEMATIC</p> <p>POLYPHASE DC/DC CONVERTER WITH DIGITAL PWR MANAGEMENT</p>	
		SIZE	IC NO.	<p>LTC3880EUJ FAMILY</p> <p>DEMO CIRCUIT 1740A</p>	
		N/A			REV. 1
		DATE:	Tuesday, February 05, 2013		SHEET 4 OF 4