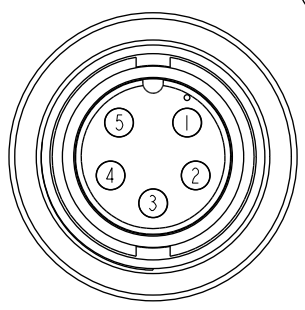
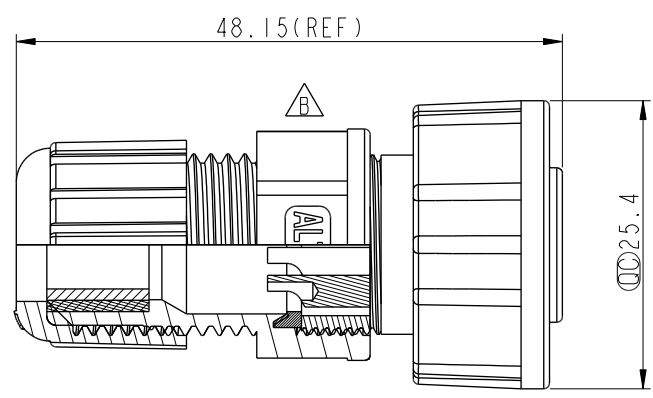
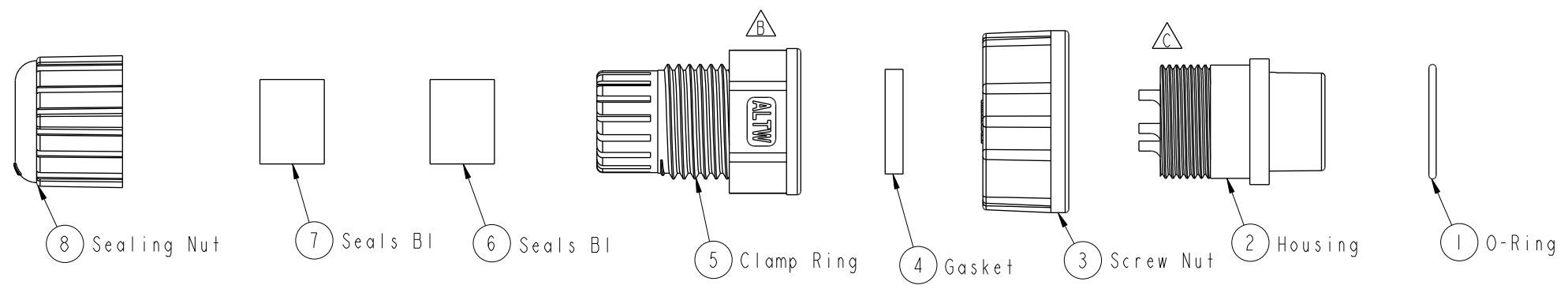


THIS DOCUMENT IS SUBJECT TO CHANGE WITHOUT NOTICE. IT IS CONFIDENTIAL AND A PROPERTY OF AMPHENOL LTW. DISCLOSURE TO THIRD PARTY HAS TO BE AUTHORIZED BY AMPHENOL LTW.

REV.	ECN NO.	DATE	SIGN	DESCRIPTION
B	LEN1741180	2017/04/11	Ruru	Chang Logo
C	C200908	2020/06/12	Ruru	$\triangle C$ X3



Pin Assignments  
Front View 前視圖

**ALTW**  
 CONFIDENTIAL  
 2020-06-12  
 R&D DEPT.

- $\triangle C$  Note:
- \*  $\text{\textcircled{C}}$  Important Dimension.
  - \* Waterproof Rate : IP67
  - \* Housing: Thermoplastic, Black
  - \* Pin: Copper Alloy, Gold Plated
  - \* Screw Nut: Thermoplastic, Black
  - \* O-Ring: Rubber, Black
  - \* Gasket : Rubber, Black
  - \* Seals : Rubber, Black
  - \* Clamp Ring: Thermoplastic, Black
  - \* Sealing Nut: Thermoplastic, Black
  - \* Seals B1 for Cable OD:  $\varnothing 7.6\text{mm} - \varnothing 9.6\text{mm}$
  - \* Seals B2 for Cable OD:  $\varnothing 4.0\text{mm} - \varnothing 7.6\text{mm}$
  - \* One Set Unassembled in One PE Bag

UNIT: mm		
TOLERANCE	.X $\pm 0.25$	
	.XX $\pm 0.1$	
	.XXX $\pm 0.05$	
ANGLES	$\pm 1^\circ$	

TITLE CERES, C-10A, 05P, CABLE W/O SR F, F, FI SOLDER, SCREW $\triangle C$			
SCALE 1:1	SIZE A4	SHEET 1 OF 1	
REV. C	WC-REV. A.2	$\text{\textcircled{C}}$ : Inspection item	

**Amphenol LTW**  
 安費諾亮泰企業股份有限公司

ITEM NO. CB-05BFFA-SL7001	DRAWN BY Ruru	DATE 2017-04-11
DWG NO. CB-05BFFA-SL7001	CHECKED BY Rita	DATE 2017-04-11
CUSTOMER ALTW	APPROVED BY Max	DATE 2017-04-11