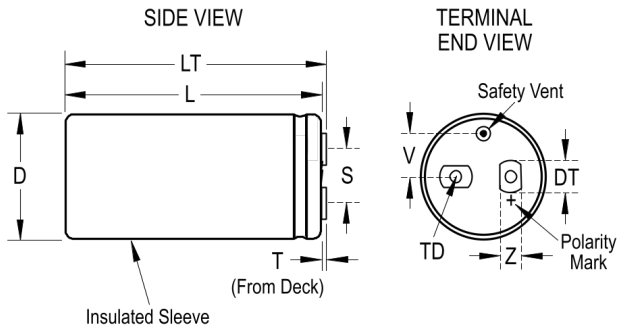


ALS80A823MF063

Aliases (A381PM823M063A)

ALS80, Aluminum Electrolytic, 82,000 uF, 20%, 63 VDC, -40/+105°C



Click [here](#) for the 3D model.

Dimensions

D	66mm +/-1mm
L	105mm +/-2mm
T	5.5mm +/-0.5mm
S	28.5mm +/-0.5mm
DT	13mm +/-0.5mm
LT	110.5mm +/-1mm
TD	10mm MIN
V	15.8mm NOM
Z	10mm NOM

Packaging Specifications

Sleeving	Yes
Packaging	Tray

General Information

Series	ALS80
Dielectric	Aluminum Electrolytic
Description	Screw Terminal, Aluminum Electrolytic
RoHS	Yes
AEC-Q200	No
Halogen Free	Yes
Component Weight	505 g
Notes	Dimensions D And L Include Sleeving. MS (MxH) = M12x16. Mounting Clamp (Sold Separately): V10/2738
Shelf Life	156 Weeks

Specifications

Capacitance	82,000 uF
Capacitance Tolerance	20%
Voltage DC	63 VDC, 72.5 VDC (Surge)
Temperature Range	-40/+105°C
Rated Temperature	105°C
Life	8000 Hrs (Rated Voltage And Ripple Current At 105C), 13000 Hrs (Rated Voltage At 105C)
Resistance	9 mOhms (100Hz 20C), 9 mOhms (10kHz 20C)
Ripple Current	22.7 Amps (100Hz 105C), 25.2 Amps (10 kHz 105C)
Leakage Current	6000 uA