

CUSTOMER PRINT

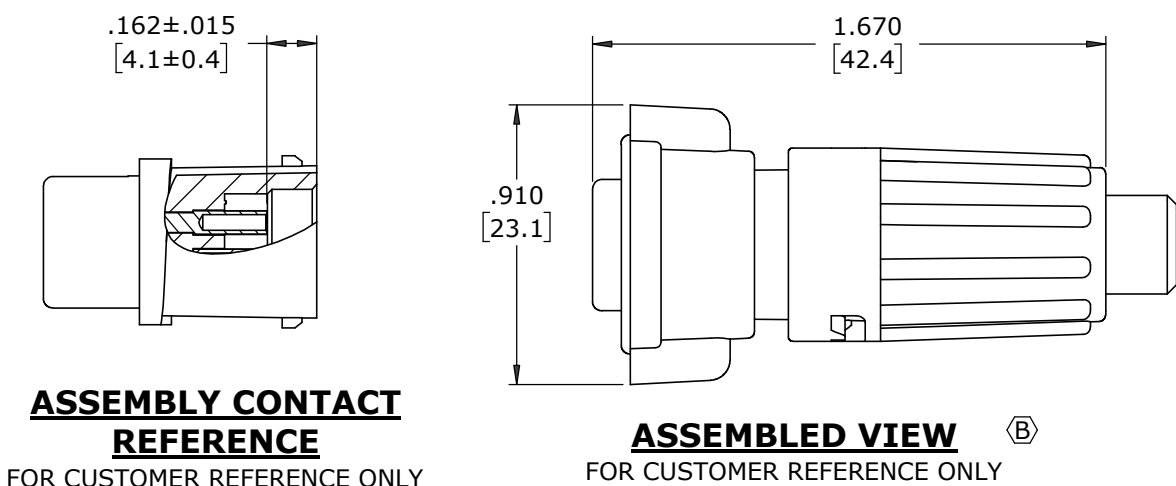
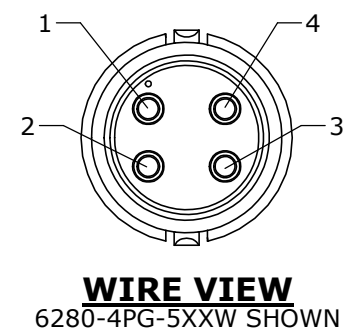
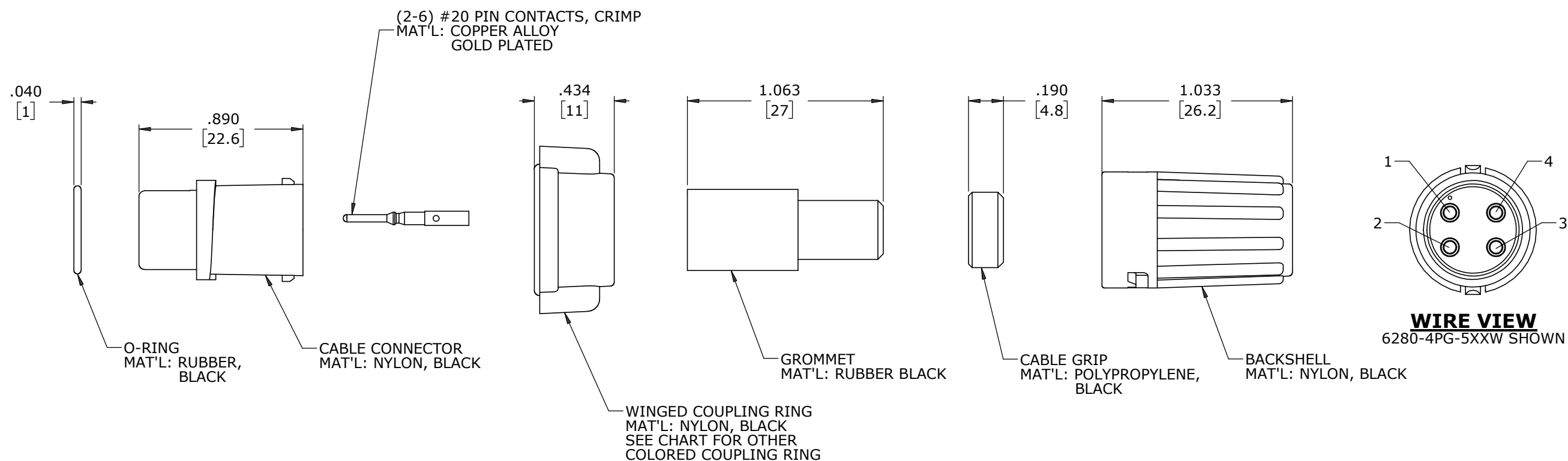
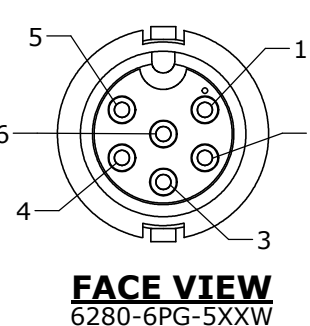
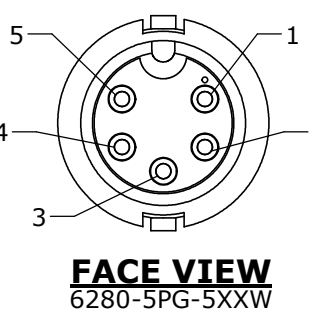
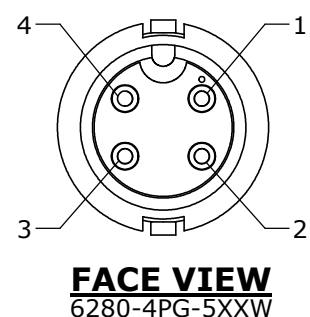
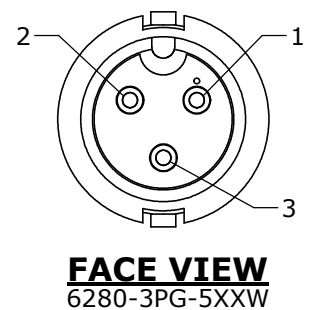
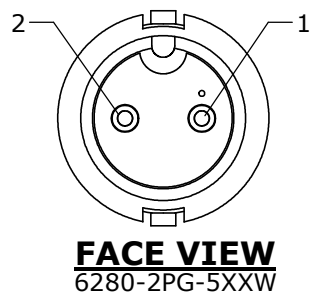
PART NUMBER: 6280-XPG-5XXW(CCX)

- NOTES:**
 1. ALL PARTS TO BE BULK PACKED.
 2. CONTACTS SHIPPED UNASSEMBLED.
 3. ALL DIMENSIONS ARE REFERENCE EXCEPT THOSE WITH A TOLERANCE

ASS'Y P/N	COUPLING RING COLOR
6280-XPG-5XXWCC1	WHITE
6280-XPG-5XXWCC2	RED
6280-XPG-5XXWCC3	BLUE
6280-XPG-5XXWCC4	LIGHT GREY
6280-XPG-5XXWCC5	YELLOW
6280-XPG-5XXWCC6	MAROON
6280-XPG-5XXWCC7	GREEN

ASSY P/N	GROMMET SIZE
6280-XPG-513W	.148 GROMMET I.D. FOR CABLE O.D. .13-.15 [3.3-3.8mm]
6280-XPG-516W	.176 GROMMET I.D. FOR CABLE O.D. .16-.18 [4.1-4.6mm]
6280-XPG-519W	.206 GROMMET I.D. FOR CABLE O.D. .19-.21 [4.8-5.3mm]
6280-XPG-522W	.246 GROMMET I.D. FOR CABLE O.D. .22-.25 [5.6-6.3mm]
(B) 6280-XPG-526W	.265 GROMMET I.D. FOR CABLE O.D. .25-.27 [6.4-6.9mm]
(B) 6280-XPG-528W	.280 GROMMET I.D. FOR CABLE O.D. .26-.28 [6.6-7.1mm]

ASSY P/N	NO. OF CONTACTS
6280-2PG-5XXW	2 #20
6280-3PG-5XXW	3 #20
6280-4PG-5XXW	4 #20
6280-5PG-5XXW	5 #20
6280-6PG-5XXW	6 #20
6280-XPG-5XXW	



DIMENSIONS IN BRACKETS [] ARE IN MILLIMETERS

CUSTOMER APPROVAL			
B	MA	02-16-21	ADDED 6280-XPG-526W & 6280-XPG-528W TO CHART, ADDED ASSEMBLED VIEW PER ECR 9544
A	SS	05-14-19	DRAWING CREATED PER DOR 19-E149SL #6
REV.	INIT.	DATE	DESCRIPTION
SS		05-14-19	ORIG. DRAWN BY: DATE: SS 05-14-19
APPROVED BY: _____			 601 E. WILDWOOD VILLA PARK, IL 60181 TITLE: CONNECTOR ASSEMBLY KIT (2-6) #20 PIN CONTACTS MINI-CON-X CUSTOMER: STANDARD PRODUCT
DATE: _____			
ALL INFORMATION ILLUSTRATED IS THE PROPERTY OF CONXALL CORPORATION. UNAUTHORIZED DUPLICATION OR DISTRIBUTION OF THIS DOCUMENT IS PROHIBITED.			
ALL UNITS ARE IN FEET, INCHES, FRACTION OF INCHES AND DECIMALS. UNLESS OTHERWISE SPECIFIED TOLERANCES: 3 PLACE DECIMALS ±.005 ANGLES ±1° FRACTIONS ±1/16 - CRITICAL CHARACTERISTIC FLAG PER SPEC. XXXX			
SCALE: NTS	SIZE: B	SHEET: 1 OF 1	FILE: 6280-XPG-5XXW(CCX)
DIRECTORY: SLW		PART NUMBER: 6280-XPG-5XXW(CCX)	REV: B

RoHS COMPLIANT