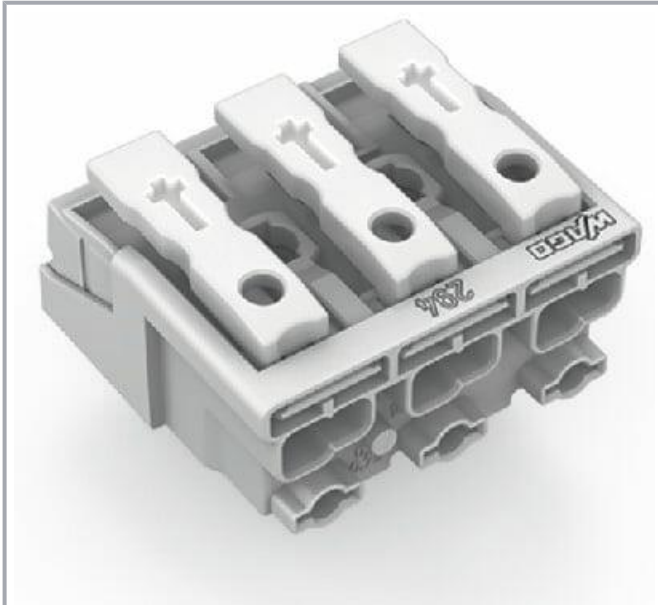


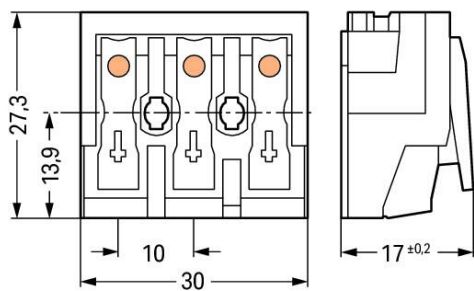
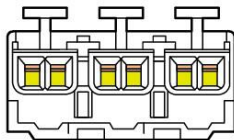
**Data sheet | Item number: 294-4003**

Lighting connector; push-button, external; without ground contact; 3-pole;  
Lighting side: for solid conductors; Inst. side: for all conductor types; max.  
2.5 mm<sup>2</sup>; Surrounding air temperature: max 85°C (T85); 2,50 mm<sup>2</sup>; white

[www.wago.com/294-4003](http://www.wago.com/294-4003)



Color: 



Subject to changes. Please also observe the further product documentation!

WAGO GmbH & Co. KG  
Hansastr. 27  
32423 Minden  
Phone: +49571 887-0 | Fax: +49571 887-169  
Email: [info.de@wago.com](mailto:info.de@wago.com) | Web: [www.wago.com](http://www.wago.com)

Do you have any questions about our products?  
We are always happy to take your call at +49 (571) 887-44222.

## Item description

- External connection of solid, stranded and fine-stranded conductors
- Universal conductor termination (AWG, metric)
- Third contact located at the bottom of internal connection end
- Strain relief plate can be retrofitted

## Data

### Electrical data

#### Ratings per IEC/EN

Ratings per	IEC/EN 60998-1
Ratings (note)	Connection points
Nominal voltage (II/2)	500 V
Rated surge voltage (II/2)	4 kV
Rated current	24 A
Legend (ratings)	(II / 2) ≙ Overvoltage category II / Pollution degree 2

#### Ratings per IEC/EN 2

Ratings per 2	IEC/EN 60998-2-2
Ratings (note) 2	Connection points
Rated voltage (II/2) 2	500 V
Rated surge voltage (II/2) 2	4 kV
Rated current 2	24 A

### Connection data

Connection points	15
Total number of potentials	3
Number of connection types	4
PE function	without PE contact

### Connection 1

Connection type 1	External 1
Connection technology	Push-in CAGE CLAMP®
Number of connection points	2

Subject to changes. Please also observe the further product documentation!



Actuation type	Push-button
Connectable conductor materials	Copper
Solid conductor	0.5 ... 2.5 mm <sup>2</sup> / 18 ... 12 AWG
Solid conductor; push-in termination	0.5 ... 2.5 mm <sup>2</sup> / 18 ... 12 AWG
Stranded conductor	0.5 ... 2.5 mm <sup>2</sup> / 18 ... 14 AWG
Fine-stranded conductor	0.5 ... 2.5 mm <sup>2</sup> / 18 ... 14 AWG
Fine-stranded conductor; with insulated ferrule	0.5 ... 1.5 mm <sup>2</sup> / 18 ... 16 AWG
Fine-stranded conductor; with uninsulated ferrule	0.5 ... 1.5 mm <sup>2</sup> / 18 ... 16 AWG
Fine-stranded conductor; with ferrule; push-in termination	0.5 mm <sup>2</sup> / 18 AWG
Strip length	8 ... 9 mm / 0.31 ... 0.35 inches
Pole number	3
Wiring direction	Side-entry wiring

## Connection 2

Connection type 2	Internal 2
Connection technology 2	PUSH WIRE <sup>®</sup>
Number of connection points 2	1
Actuation type 2	Push-in
Solid conductor 2	0.5 ... 2.5 mm <sup>2</sup> / 18 ... 14 AWG
Fine-stranded conductor; with insulated ferrule 2	0.5 ... 1 mm <sup>2</sup> / 18 ... 16 AWG
Fine-stranded conductor; with uninsulated ferrule 2	0.5 ... 1.5 mm <sup>2</sup> / 18 ... 14 AWG
Strip length 2	8 ... 9 mm / 0.31 ... 0.35 inches

## Connection 3

Connection type 3	Internal 3
Connection technology 3	PUSH WIRE <sup>®</sup>
Number of connection points 3	1
Actuation type 3	Push-in
Solid conductor 3	0.5 ... 1.5 mm <sup>2</sup> / 18 ... 16 AWG
Fine-stranded conductor; with insulated ferrule 3	0.5 ... 0.75 mm <sup>2</sup> / 18 AWG
Fine-stranded conductor; with uninsulated ferrule 3	0.5 ... 1 mm <sup>2</sup> / 18 AWG
Strip length 3	8 ... 9 mm / 0.31 ... 0.35 inches

## Connection 4

Connection type 4	Internal 4
Connection technology 4	PUSH WIRE <sup>®</sup>

Subject to changes. Please also observe the further product documentation!



Number of connection points 4	1
Actuation type 4	Push-in
Solid conductor 4	0.5 ... 0.75 mm <sup>2</sup> / 18 AWG
Strip length 4	8 ... 9 mm / 0.31 ... 0.35 inches

### Physical data

Pin spacing	10 mm / 0.394 inches
Width	30 mm / 1.181 inches
Height from the surface	17 mm / 0.669 inches
Depth	27.3 mm / 1.075 inches

### Mechanical Data

Marking	plain
Mounting type	Without snap-in mounting feet

### Material Data

Note (material data)	Information on material specifications can be found here
Color	white
Material group	IIIa
Insulation material	Polycarbonate (PC)
Flammability class per UL94	V0
Clamping spring material	Chrome-nickel spring steel (CrNi)
Contact material	Electrolytic copper (E <sub>Cu</sub> )
Contact plating	Tin
Fire load	0.182 MJ
Halogen-free	Yes
Weight	9.2 g

### Environmental requirements

Temperature stability	120 °C
T marking	T85

### Commercial data

Product Group	8 (Misc. Chassis Mount Blocks)
---------------	--------------------------------

Subject to changes. Please also observe the further product documentation!



eCl@ss 10.0	27-14-11-06
eCl@ss 9.0	27-14-11-06
ETIM 8.0	EC001284
ETIM 7.0	EC001284
PU (SPU)	500 pcs
Packaging type	Foil
Country of origin	CH
GTIN	4050821097600
Customs tariff number	85369010000

## Environmental Product Compliance

CAS-No.	131651-65-5 144317-44-2 220133-51-7 220689-12-3 25628-08-4 29420-49-3 375-73-5 503155-89-3 507453-86-3 68259-10-9
REACH Candidate List Substance	Perfluorobutane sulfonic acid (PFBS) and its salts
RoHS Compliance Status	Compliant,With Exemption
RoHS Exemption	6(c) 7(a) 7(c)-I 7(c)-II
SCIP notification number (Austria)	edcb4cfc-7b5e-4a92-9cce-28b1fd4dc31c
SCIP notification number (Belgium)	22a14573-26b9-4966-a6bd-9dddffd41993
SCIP notification number (Bulgaria)	1153eca4-53f2-41aa-b4af-6d173632d827
SCIP notification number (Czech Republic)	03835d69-9527-410e-97cd-2284ba6347a4
SCIP notification number (Denmark)	42216c2a-3826-4a21-95f3-410751d297f9
SCIP notification number (Finland)	3bbb526a-f22c-40c6-b7ad-b3b481401305
SCIP notification number (France)	295e44fc-9542-4585-8b1a-98c73acf9334
SCIP notification number (Germany)	00af5827-fa0d-4718-80d9-d43305f33f4a
SCIP notification number (Hungary)	08d68e75-266b-496e-8f2f-a4555a880eda
SCIP notification number (Italy)	482cfc28-e43e-4b66-a57b-e903a0c8238c
SCIP notification number (Netherlands)	625810bb-e859-482f-b2c3-ebea01c02441
SCIP notification number (Poland)	f5b7fa4f-f5ca-4a3b-be3d-94a6532dac93
SCIP notification number (Romania)	09158877-0edf-41fc-8987-35d11b9d8ab4

Subject to changes. Please also observe the further product documentation!

WAGO GmbH & Co. KG  
Hansastr. 27  
32423 Minden  
Phone: +49571 887-0 | Fax: +49571 887-169  
Email: [info.de@wago.com](mailto:info.de@wago.com) | Web: [www.wago.com](http://www.wago.com)


Do you have any questions about our products?  
We are always happy to take your call at +49 (571) 887-44222.

SCIP notification number (Sweden)



a8f572d6-5168-4f2a-9f71-34d70e2cfd91

## Approvals / Certificates

### General approvals

Logo	Approval	Additional Approval Text	Certificate name
	<b>ENEC 05</b> DEKRA Certification B.V.	EN 60998	2128791.01

### Declarations of conformity and manufacturer's declarations

Logo	Approval	Additional Approval Text	Certificate name
	<b>EU-Declaration of Conformity</b> WAGO GmbH & Co. KG	-	-
	<b>UK-Declaration of Conformity</b> WAGO GmbH & Co. KG	-	-

## Optional accessories

### Strain relief

#### Strain relief



**Item no.: 294-370**  
 Strain relief; for 294 Series; with snap-in mounting feet; white

[www.wago.com/294-370](http://www.wago.com/294-370)



**Item no.: 294-375**  
 Strain relief; for 294 Series; without snap-in mounting feet; white

[www.wago.com/294-375](http://www.wago.com/294-375)

#### Strain relief plate



**Item no.: 294-364**  
 Strain relief plate; for 294 Series; for multicore cables; 3- to 5-pole; with secured clamp; white

[www.wago.com/294-364](http://www.wago.com/294-364)



**Item no.: 294-384**  
 Strain relief plate; for 294 Series; for single strands; 3- to 5-pole; with secured clamp; white

[www.wago.com/294-384](http://www.wago.com/294-384)

Subject to changes. Please also observe the further product documentation!

WAGO GmbH & Co. KG  
 Hansastr. 27  
 32423 Minden  
 Phone: +49571 887-0 | Fax: +49571 887-169  
 Email: [info.de@wago.com](mailto:info.de@wago.com) | Web: [www.wago.com](http://www.wago.com)

Do you have any questions about our products?  
 We are always happy to take your call at +49 (571) 887-44222.

## Tool

Operating tool



Item no.: 206-294  
Disconnection tool; green

[www.wago.com/206-294](http://www.wago.com/206-294)

## Downloads

## Documentation

## Bid Text

294-4003 X81 - Datei	2019 Feb 19	xml 5.7 kB	Download
-------------------------	-------------	---------------	----------

294-4003 doc - Datei	2017 Jun 13	doc 27.6 kB	Download
-------------------------	-------------	----------------	----------

## Additional Information

Technical Section Technical explanations		pdf 2.2 MB	Download
---	--	---------------	----------

## CAD/CAE-Data

## CAE data

WSCAD Universe 294-4003		URL	Download
-------------------------	--	-----	----------

ZUKEN Portal 294-4003		URL	Download
-----------------------	--	-----	----------

## CAD data

2D/3D Models 294-4003		URL	Download
-----------------------	--	-----	----------

## Environmental Product Compliance

## Compliance Search

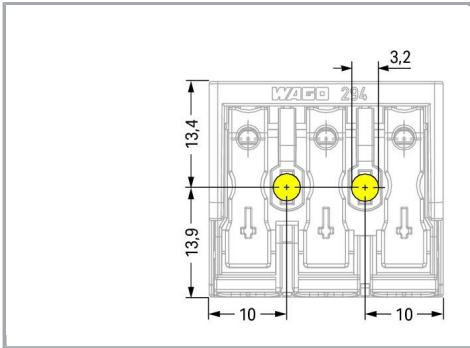
Environmental Product Compliance 294-4003		URL	Download
---	--	-----	----------

Lighting connector; push-button, external; without ground contact; 3-pole; Lighting side: for solid conductors; Inst. side: for all conductor types; max. 2.5 mm<sup>2</sup>; Surrounding air temperature: max 85°C (T85); 2,50 mm<sup>2</sup>; white

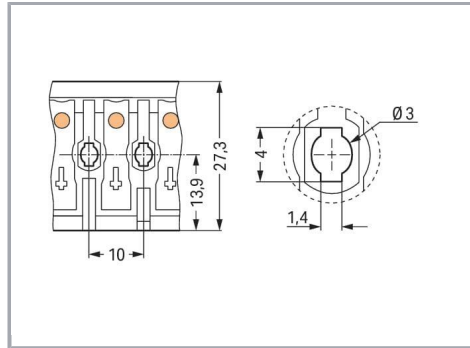
Subject to changes. Please also observe the further product documentation!

## Installation Notes

### Installation

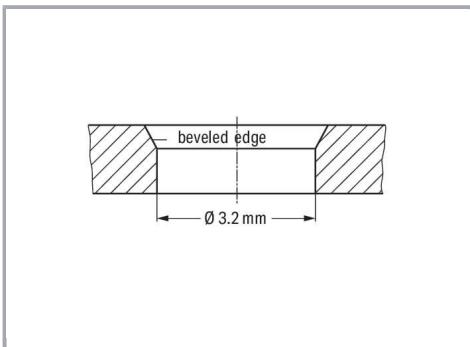


3-pole – without ground contact



Mounting hole for screw

**Notice:** The maximum thread diameter for self-tapping screws is 3 mm.



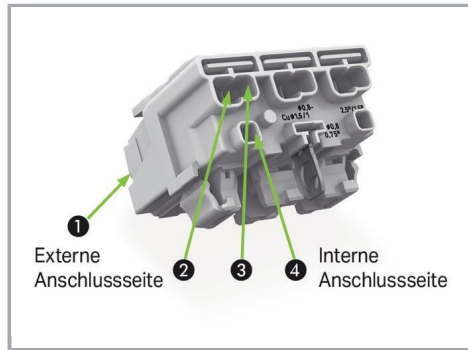
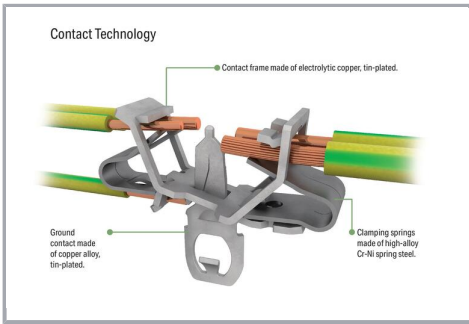
Hole for screw mount

**Notice:** The maximum thread diameter for self-tapping screws is 3 mm.

### Conductor termination

Subject to changes. Please also observe the further product documentation!





EUROPE
1 x 0.5 ... 2.5 mm <sup>2</sup> "s"
1 x 0.5 ... 1.5 mm <sup>2</sup> "s"
1 x 0.5 ... 0.75 mm <sup>2</sup> "s"
AMERICA
1 x AWG 18 ... 14 "s"
1 x AWG 18 ... 16 "s"
1 x AWG 18 "s"
JAPAN
1 x 0.8 ... 1.6 mm diam. "s"
1 x 0.8 ... 1 mm diam. "s"
1 x 0.8 mm diam. "s"

EUROPE
2 x 0.5 ... 2.5 mm <sup>2</sup> "s, str, f-str"
AMERICA
2 x AWG 18 ... 12 "s"
2 x AWG 18 ... 14 "s, f-str"
JAPAN
2 x 0.8 ... 2 mm diam. "s"
2 x 0.5 ... 2 mm <sup>2</sup> "str, f-str"

**Internal connection:**

PUSH WIRE® for internal wiring with solid conductors

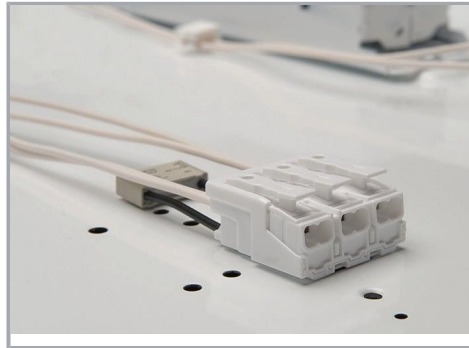
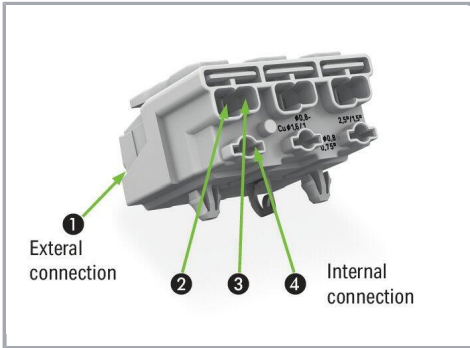
**External connection:**

Push-in CAGE CLAMP® for field-wiring with all conductor types

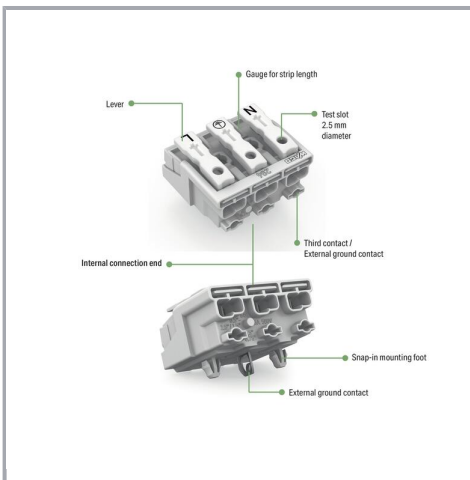
Subject to changes. Please also observe the further product documentation!

WAGO GmbH & Co. KG  
 Hansastr. 27  
 32423 Minden  
 Phone: +49571 887-0 | Fax: +49571 887-169  
 Email: [info.de@wago.com](mailto:info.de@wago.com) | Web: [www.wago.com](http://www.wago.com)

Do you have any questions about our products?  
 We are always happy to take your call at +49 (571) 887-44222.



Terminating five conductors per pole – solid and fine-stranded.



Subject to changes. Please also observe the further product documentation!

WAGO GmbH & Co. KG  
Hansastr. 27  
32423 Minden  
Phone: +49571 887-0 | Fax: +49571 887-169  
Email: [info.de@wago.com](mailto:info.de@wago.com) | Web: [www.wago.com](http://www.wago.com)

Do you have any questions about our products?  
We are always happy to take your call at +49 (571) 887-44222.