

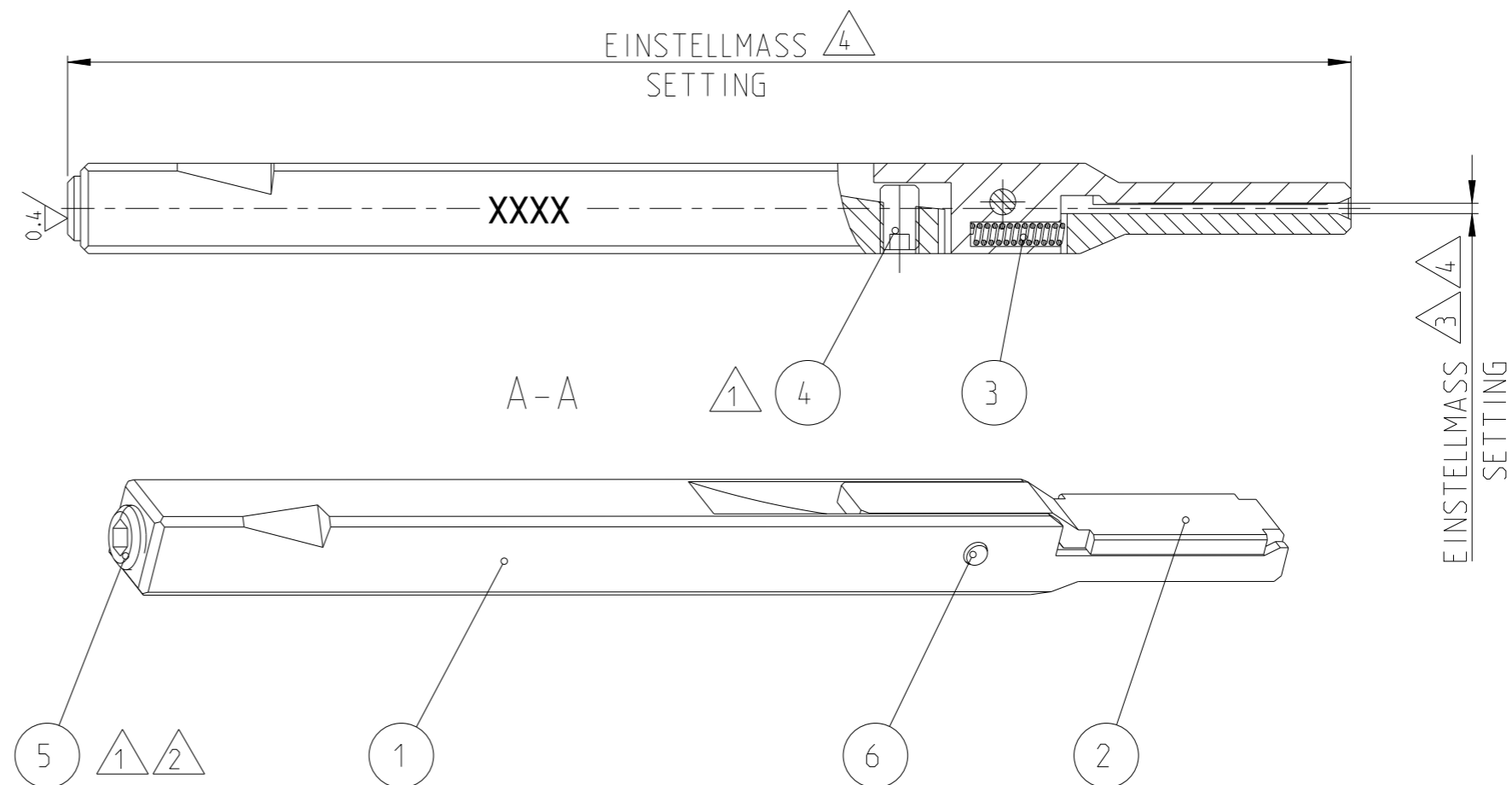
P	LTR	DESCRIPTION	DATE	DWN	APVD
	B	INITIAL RELEASE	27NOV2013	MM	SB
	C	INITIAL RELEASE	09MAR2022	SC	-

1 Mit Schraubensicherung  
Loctite 243 gesichert  
Locked with threadlocker  
Loctite 243

2 Bei Erstmontage  
vollstaendig einschrauben  
Insert complete for  
initial assembly

3 Oeffnungsspiel Klemmhebel  
zu eingelegtem Kontakt =0.1mm  
Opening clearance clamping lever  
to loaded contact =0.1mm

4 !!! Achtung:  
Vor Einsatz im Umbausatz  
Maße kontrollieren und ggf.  
einstellen  
!!! Attention:  
Check measurement before  
using on conversion kit.  
Too long adjusted fingers  
may damage the finger  
and conversion kit



POS	QTY	TE/PN	REV	DESCRIPTION	WEAR	SPARE
1	1	2-1372731-4	C	SETZFINGER INSERTION FINGER	YES	YES
2	1	1372477-2	C	KLEMMHEBEL clamping lever	YES	YES
3	1	8-547505-4	A1	Druckfeder -	-	YES
4	1	2-519011-0	B	SCREW M3x5 DIN 913 -	-	YES
5	1	3-519011-7	B	SCREW M5x8 DIN 913 -	-	YES
6	1	519051-7	A	Zyl.-Stift 2m6x8 DIN 6325 -	-	YES

XXXX marked by drawing number, revision & supplier symbol	XXXX Mit Zeichnungsnummer, Revision & Herstellerkürzel gekennzeichnet
---	---

THIS DRAWING IS A CONTROLLED DOCUMENT.		DWN 14SEP2013			
		CHK RIKON-RIEDEL			
DIMENSIONS: mm		APVD -	NAME SETZFINGER KOMPLETT INSERTION FINGER COMPLETE		
TOLERANCES UNLESS OTHERWISE SPECIFIED:		PRODUCT SPEC -			
0 PLC ± 1 PLC ± 2 PLC ± 3 PLC ± 4 PLC ± ANGLES ±		APPLICATION SPEC -	SIZE A3 CAGE CODE 00779 DRAWING NO C=2-1372730-3 RESTRICTED TO -		
MATERIAL -		WEIGHT -			
FINISH -		CUSTOMER DRAWING	SCALE 2:1	SHEET 1 OF 1	REV C