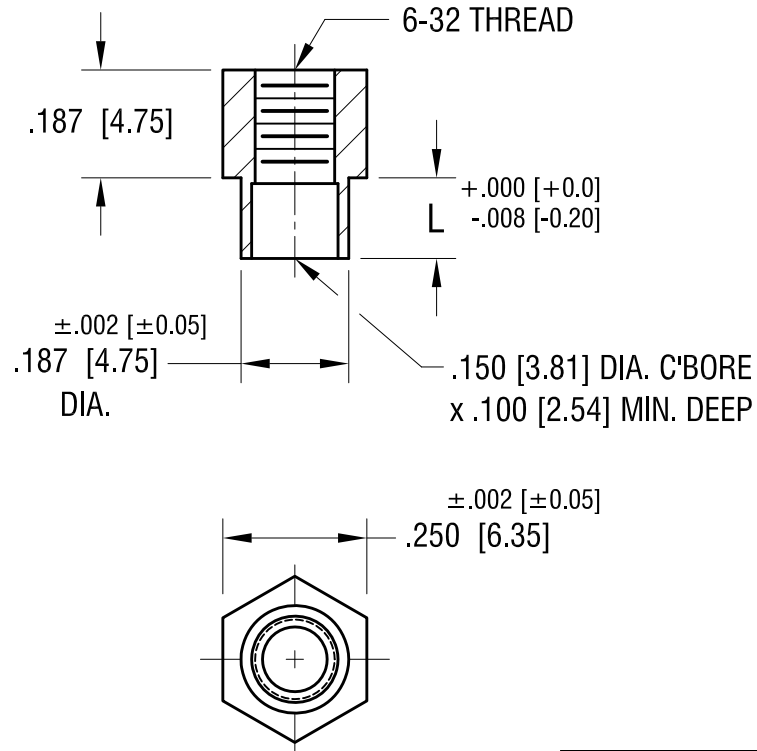


THIS DOCUMENT IS THE PROPERTY OF
KEYSTONE ELECTRONICS CORP. AND
SHALL NOT BE REPRODUCED, DISTRIBUTED
OR USED AS A BASIS FOR MANUFACTURE
WITHOUT PRIOR WRITTEN PERMISSION
FROM KEYSTONE ELECTRONICS CORP.



| PART NO. | 'L' DIM. |
|----------|-------------|
| 1752-2 | .109 [2.77] |
| 1752-3 | .140 [3.56] |
| 1752-4 | .171 [4.34] |

| | | | |
|---|----------------------|--------|--------------|
| KEYSTONE ELECTRONICS CORP. | | | |
| www.keyelco.com • ASTORIA, N.Y. 11105-2017 • Tel (718) 956-8900 | | | |
| PART NAME | | | |
| SWAGE THREADED STANDOFF | | | |
| MATERIAL | | | |
| BRASS | | | |
| FINISH | DUCTILE NICKEL PLATE | DRN BY | BOONE |
| | | DATE | 2.22.99 |
| | | APP'D | LN |
| | | SCALE | 3X |
| TOLERANCES | INCH [MM] | CODE | DWG NO. |
| DECIMAL | ± .005 [± 0.13] | C | 1752- |
| ANGULAR | ± 1° | | |
| UNLESS OTHERWISE SPECIFIED | | | |

| | | |
|---------|--------------------------|------|
| 5.16.02 | CHANGE AS PER ECN 02-053 | A |
| DATE | DESCRIPTION | REV. |