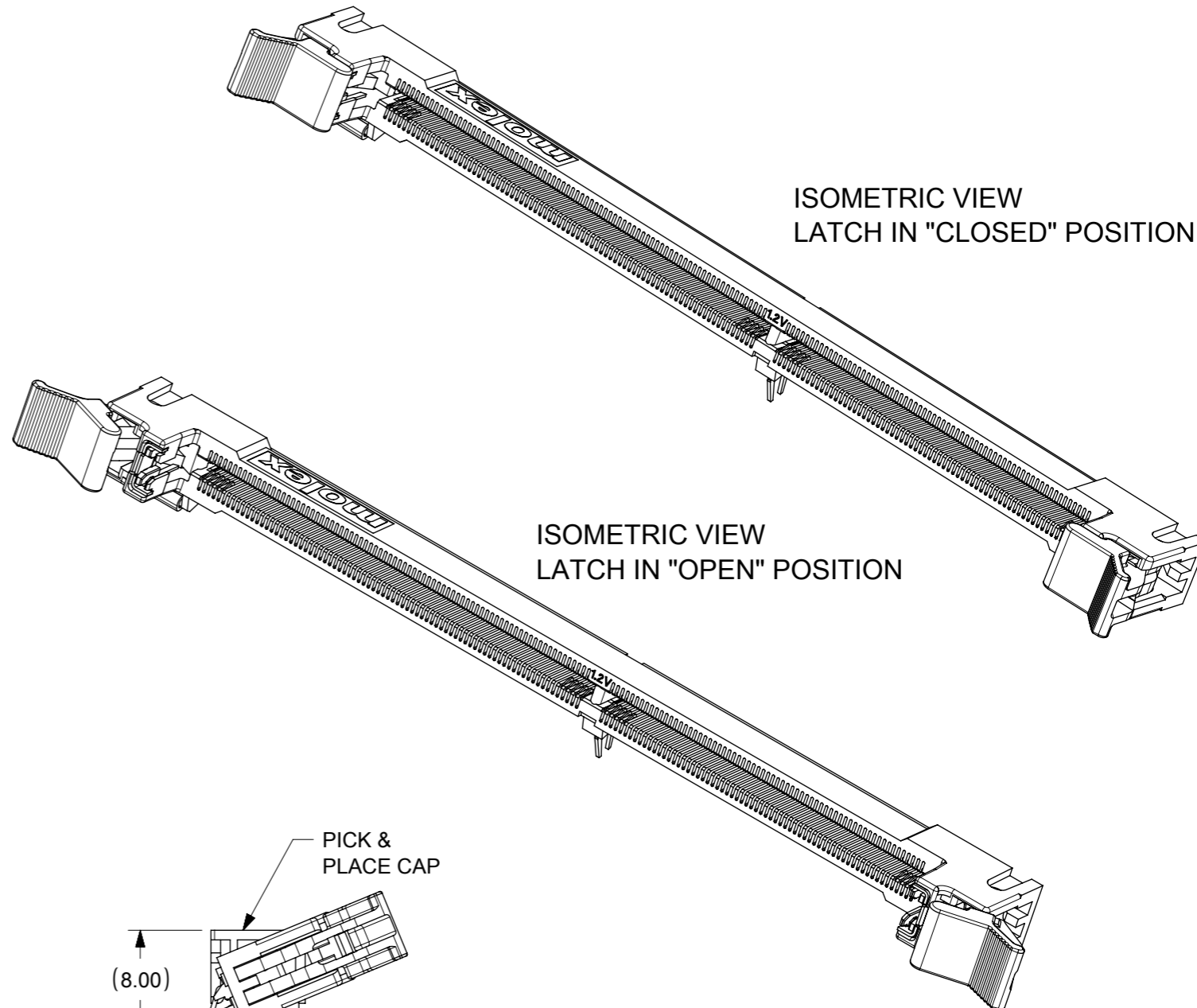
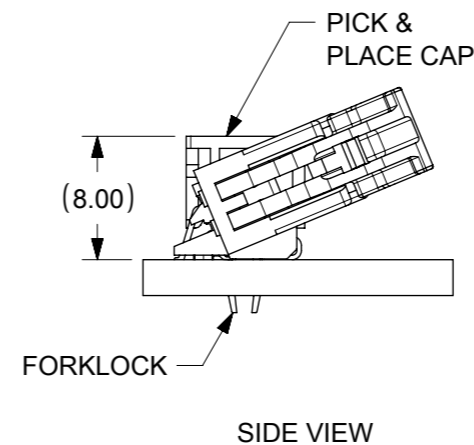
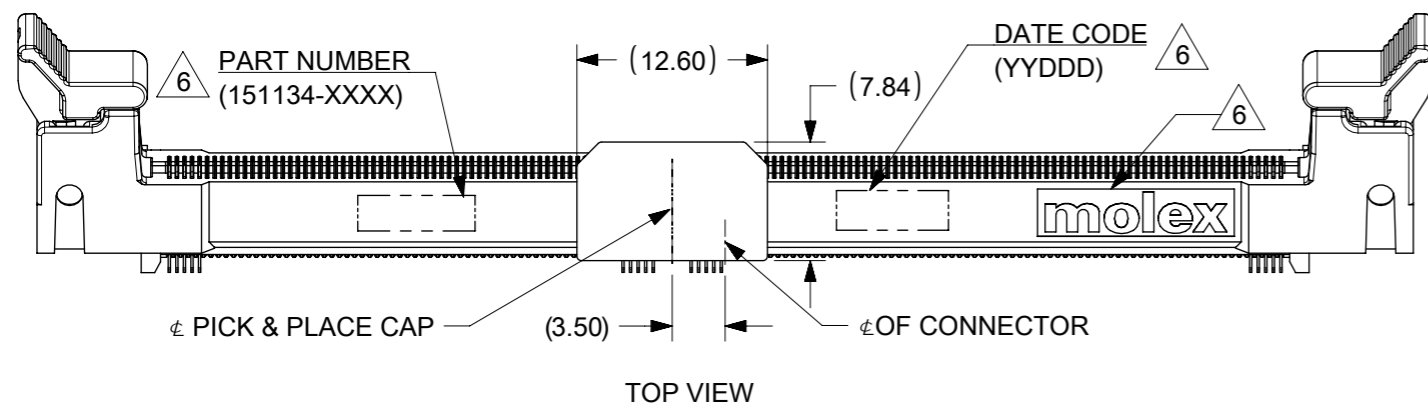


NOTES:

1. MATERIALS
HOUSING - LIQUID CRYSTAL POLYMER (LCP), GLASS FILLED, UL94 V-0;
COLOR: BLACK
LATCH - POLYAMIDE (PA), GLASS FILLED, UL94 V-0;
COLOR: NATURAL (OFF-WHITE)
TERMINAL - COPPER ALLOY
PCB HOLD-DOWN FEATURES - COPPER ALLOY
2. FINISHES
CONTACT AREA - 0.76 MICROMETER (30 MICROINCH) MINIMUM GOLD OVER
1.25 MICROMETER (50 MICROINCH) MINIMUM NICKEL
SMT TAIL - 2.54 MICROMETER (100 MICROINCH) MINIMUM TIN OVER
1.25 MICROMETER (50 MICROINCH) MINIMUM NICKEL
PCB HOLD-DOWN FEATURES - 2.54 MICROMETER (100 MICROINCH) MINIMUM TIN OVER
1.25 MICROMETER (50 MICROINCH) MINIMUM NICKEL
3. PRODUCT SPECIFICATION: SEE TABLE
4. PACKAGING SPECIFICATION: SEE TABLE
5. CARD SLOT ACCEPTS 1.40±0.10mm MODULE THICKNESS
(MEASURED OVER P.C. PADS).
6. MOLEX LOGO, DATE & PART NO. INDICATED ON SIDE OF HOUSING
7. MODULE SEATING PLANE FROM TOP OF PCB.
8. KEEP-OUT ZONE FOR LATCH
9. KEEP-OUT AREA IS THE AREA WHERE THE CONNECTOR IS MOUNTED
ONTO THE PCB (INCLUDING LATCH IN THE OPEN POSITION).
10. CONNECTOR APPLICATION GUIDELINE: AS-151134-0001.
11. PCB ROUTING RECOMMENDATION: AS-151134-0002.

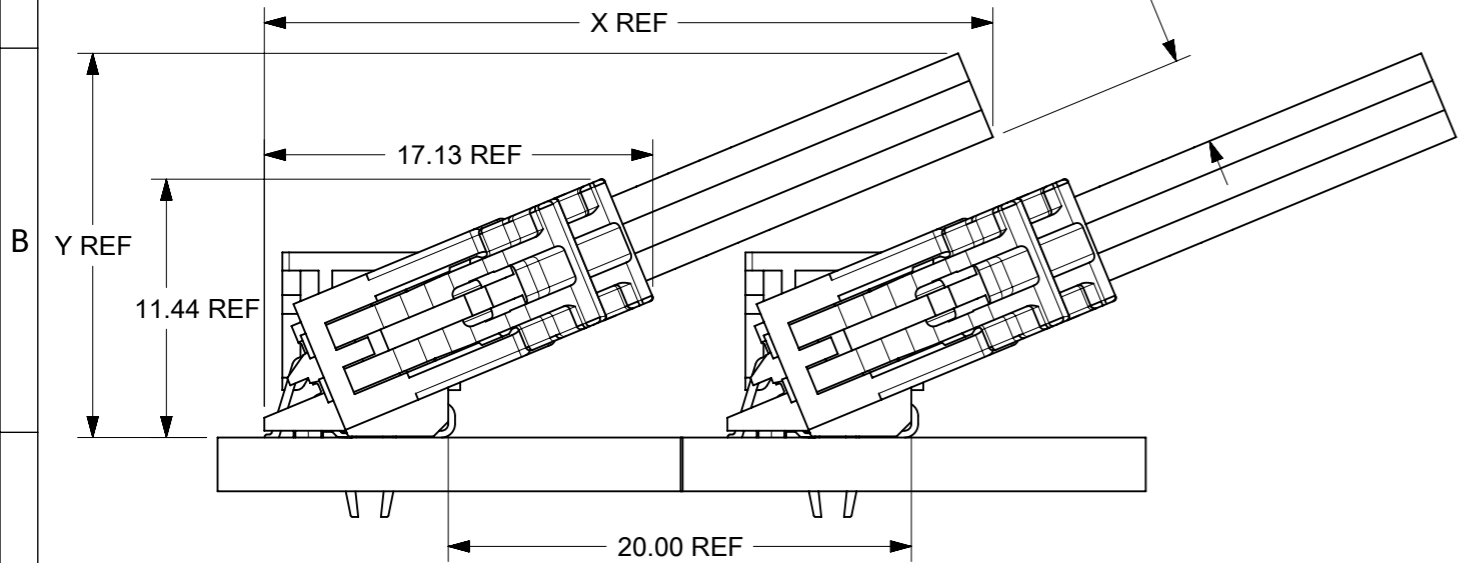
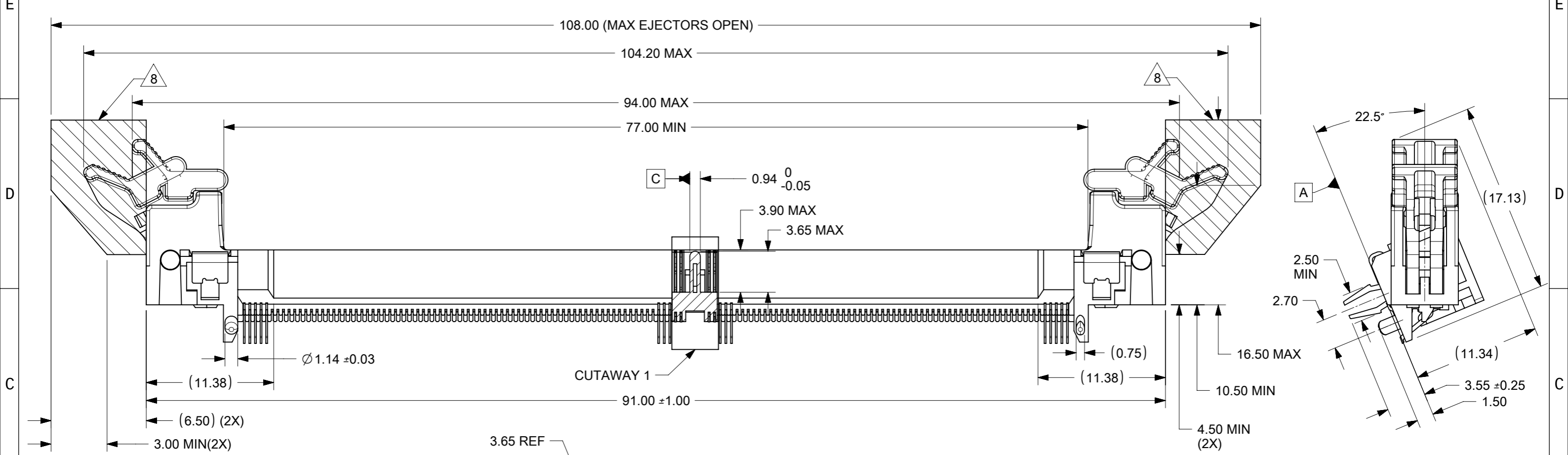
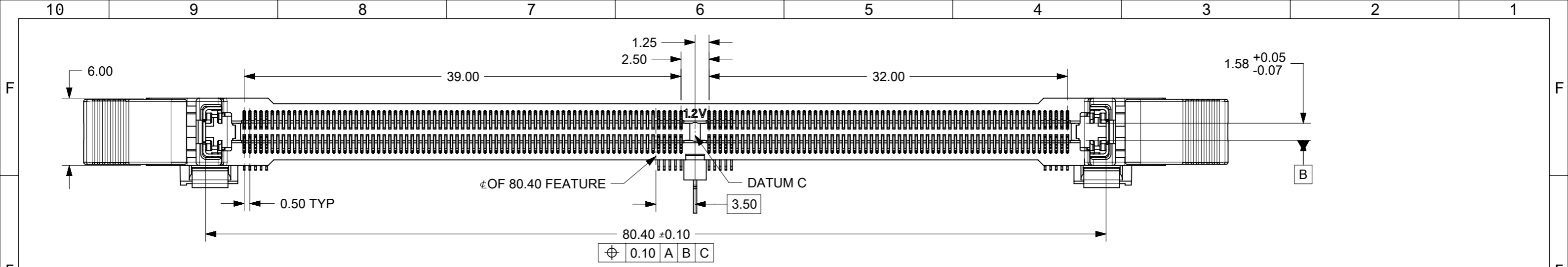
CONNECTOR WITH PICK & PLACE CAP



THIS DESIGN IS BASED ON DESIGN OBJECTIVES AND IS STRICTLY TENTATIVE. IT MAY CHANGE BASED ON RESULTS OF ADDITIONAL DESIGN REVIEWS AND VERIFICATIONS.

ASSEMBLY PART NUMBER	FORKLOCK	PICK & PLACE CAP	PRODUCT SPECIFICATION	PACKAGING SPECIFICATION
151134-0001	YES	NO	PS-151134-0001	PK-151134-0001
151134-0002	NO	YES		
151134-0003	YES	YES		
151134-0004	NO	NO		

THIS DRAWING CONTAINS INFORMATION THAT IS PROPRIETARY TO MOLEX ELECTRONIC TECHNOLOGIES, LLC AND SHOULD NOT BE USED WITHOUT WRITTEN PERMISSION									
DIMENSION UNITS	SCALE	CURRENT REV DESC: ADD P/N 151134-0002 AND 151134-0004							
mm	NTS								
GENERAL TOLERANCES (UNLESS SPECIFIED)									
ANGULAR TOL	± 3.0 °	EC NO: 651439 DRWN: SKANG 2020/12/14 CHK'D: EKSOH 2020/12/16 APPR: SHLENI 2020/12/22							
4 PLACES	±	INITIAL REVISION:							
3 PLACES	±	DRWN: KUCHILA 2016/09/12							
2 PLACES	± 0.2	APPR: SHLENI 2017/01/23							
1 PLACE	±	DOCUMENT NUMBER							
0 PLACES	±	SD-151134-0001							
DRAFT WHERE APPLICABLE MUST REMAIN WITHIN DIMENSIONS		THIRD ANGLE PROJECTION	DRAWING	SERIES	MATERIAL NUMBER	CUSTOMER	DOC TYPE	DOC PART	REVISION
			A3-SIZE	151134	SEE TABLE	GENERAL MARKET	PSD	000	B2
									SHEET NUMBER
									1 OF 4

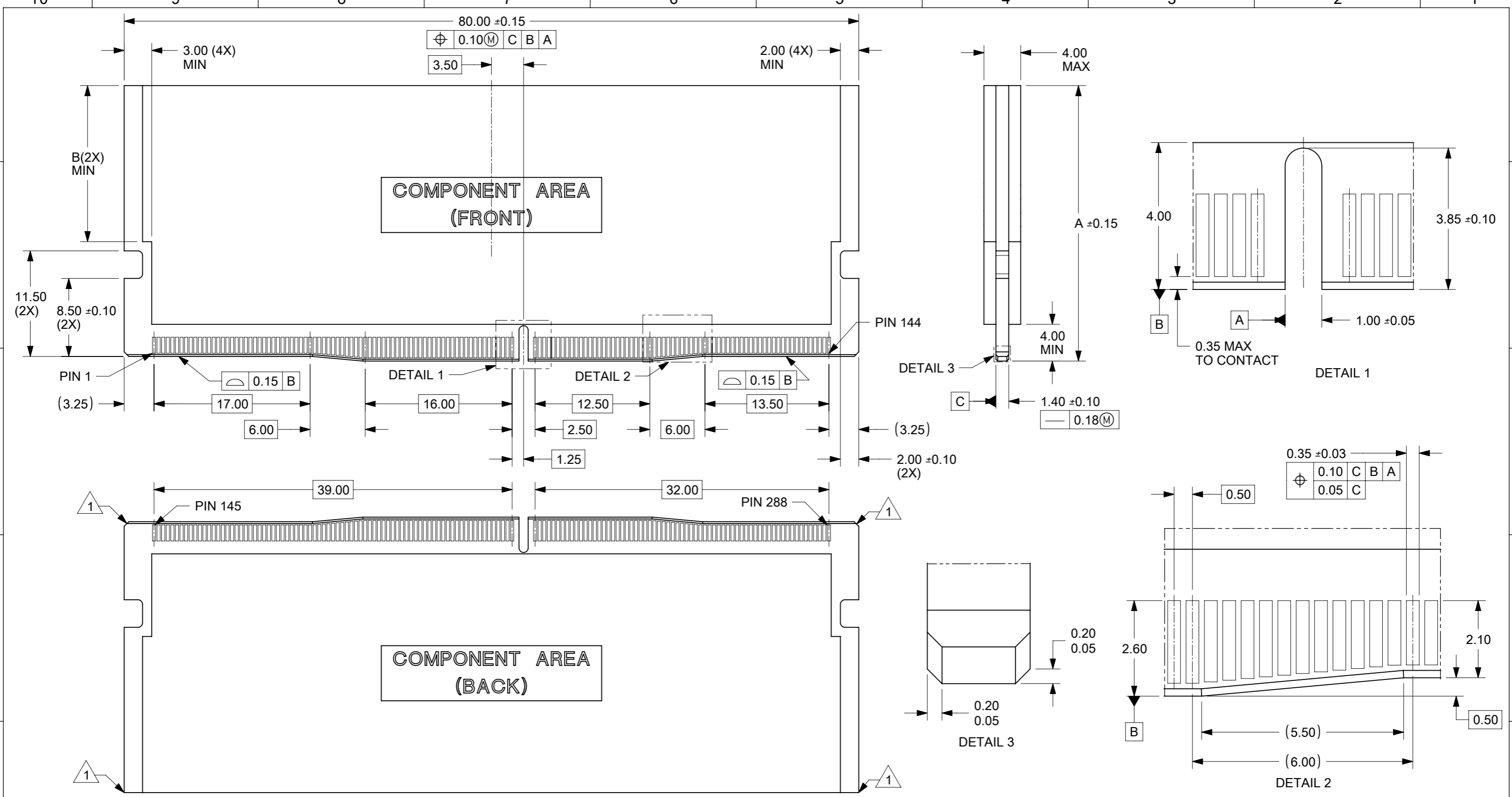


TYPE OF MODULE CARD	X	Y
STANDARD	32.12	16.98
VLP	21.72	12.68

DOCUMENT STATUS	P1	RELEASE DATE	2020/12/22	10:05:18
-----------------	----	--------------	------------	----------

THIS DRAWING CONTAINS INFORMATION THAT IS PROPRIETARY TO MOLEX ELECTRONIC TECHNOLOGIES, LLC AND SHOULD NOT BE USED WITHOUT WRITTEN PERMISSION

DIMENSION UNITS	SCALE	CURRENT REV DESC: ADD P/N 151134-0002 AND 151134-0004	molex		
mm	NTS				
GENERAL TOLERANCES (UNLESS SPECIFIED)			DDR4 MINI DIMM, 0.50MM REV. ANGLE 22.5 DEG. 288 CKTS SMT		
ANGULAR TOL	± 3.0°	EC NO: 651439	PRODUCT CUSTOMER DRAWING		
4 PLACES	±	DRWN: SKANG	2020/12/14	DOCUMENT NUMBER	
3 PLACES	±	CHK'D: EKSOH	2020/12/16	SD-151134-0001	
2 PLACES	± 0.2	APPR: SHLENI	2020/12/22	DOC TYPE	DOC PART
1 PLACE	±	INITIAL REVISION:		PSD	000
0 PLACES	±	DRWN: KUCHILA	2016/09/12	REVISION	
DRAFT WHERE APPLICABLE MUST REMAIN WITHIN DIMENSIONS		APPR: SHLENI	2017/01/23	B2	
THIRD ANGLE PROJECTION		DRAWING	SERIES	MATERIAL NUMBER	CUSTOMER
A3-SIZE		A3-SIZE	151134	SEE TABLE	GENERAL MARKET
					SHEET NUMBER
					2 OF 4



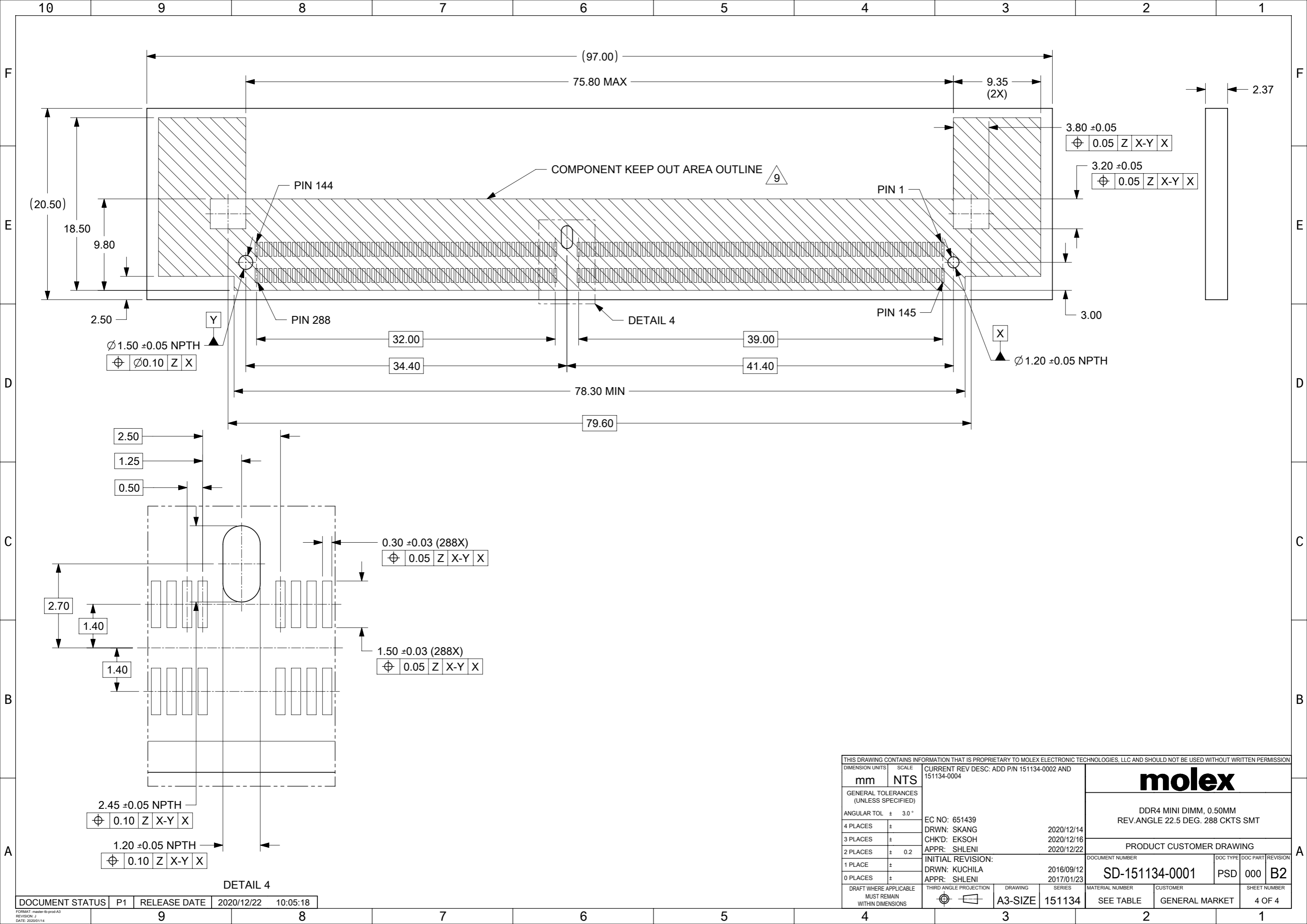
NOTE:
 1. CHAMFERS AND/OR RADII AS DEFINED BY JEDEC SOLID STATE PRODUCT OUTLINE

TYPE OF MODULE CARD	A	B
STANDARD	30	17
VLP	18.75	5.75

DOCUMENT STATUS	P1	RELEASE DATE	2020/12/22	10:05:18
-----------------	----	--------------	------------	----------

THIS DRAWING CONTAINS INFORMATION THAT IS PROPRIETARY TO MOLEX ELECTRONIC TECHNOLOGIES, LLC AND SHOULD NOT BE USED WITHOUT WRITTEN PERMISSION

DIMENSION UNITS	SCALE	CURRENT REV DESC: ADD P/N 151134-0002 AND 151134-0004			
mm	NTS				
GENERAL TOLERANCES (UNLESS SPECIFIED)			DDR4 MINI DIMM, 0.50MM REV. ANGLE 22.5 DEG. 288 CKTS SMT		
ANGULAR TOL	± 3.0°	EC NO: 651439	PRODUCT CUSTOMER DRAWING		
4 PLACES	±	DRWN: SKANG 2020/12/14	DOCUMENT NUMBER		
3 PLACES	±	CHK'D: EKSOH 2020/12/16	SD-151134-0001		
2 PLACES	± 0.2	APPR: SHLENI 2020/12/22	DOC TYPE DOC PART REVISION		
1 PLACE	±	INITIAL REVISION:	PSD 000 B2		
0 PLACES	±	DRWN: KUCHILA 2016/09/12	MATERIAL NUMBER		
DRAFT WHERE APPLICABLE MUST REMAIN WITHIN DIMENSIONS			CUSTOMER		
THIRD ANGLE PROJECTION			SHEET NUMBER		
DRAWING			3 OF 4		
SERIES			GENERAL MARKET		
A3-SIZE 151134			SEE TABLE		



Ø 1.50 ±0.05 NPTH
 ⊕ 0.10 Z X-Y X

3.80 ±0.05
 ⊕ 0.05 Z X-Y X

3.20 ±0.05
 ⊕ 0.05 Z X-Y X

Ø 1.20 ±0.05 NPTH
 ⊕ 0.10 Z X-Y X

0.30 ±0.03 (288X)
 ⊕ 0.05 Z X-Y X

1.50 ±0.03 (288X)
 ⊕ 0.05 Z X-Y X

2.45 ±0.05 NPTH
 ⊕ 0.10 Z X-Y X

1.20 ±0.05 NPTH
 ⊕ 0.10 Z X-Y X

DETAIL 4

THIS DRAWING CONTAINS INFORMATION THAT IS PROPRIETARY TO MOLEX ELECTRONIC TECHNOLOGIES, LLC AND SHOULD NOT BE USED WITHOUT WRITTEN PERMISSION										
DIMENSION UNITS	SCALE	CURRENT REV DESC: ADD P/N 151134-0002 AND 151134-0004								
mm	NTS									
GENERAL TOLERANCES (UNLESS SPECIFIED)										
ANGULAR TOL	± 3.0°	EC NO: 651439 DRWN: SKANG CHK'D: EKSOH APPR: SHLENI								
4 PLACES	±	2020/12/14								
3 PLACES	±	2020/12/16								
2 PLACES	± 0.2	2020/12/22								
1 PLACE	±	INITIAL REVISION:								
0 PLACES	±	DRWN: KUCHILA APPR: SHLENI								
DRAFT WHERE APPLICABLE MUST REMAIN WITHIN DIMENSIONS		THIRD ANGLE PROJECTION	DRAWING	SERIES	MATERIAL NUMBER	CUSTOMER	DOCUMENT NUMBER	DOC TYPE	DOC PART	REVISION
			A3-SIZE	151134	SEE TABLE	GENERAL MARKET	SD-151134-0001	PSD	000	B2
DOCUMENT STATUS		P1	RELEASE DATE	2020/12/22	10:05:18					

DOCUMENT STATUS	P1	RELEASE DATE	2020/12/22	10:05:18
-----------------	----	--------------	------------	----------