

MATERIALS AND FINISHES

- BODY ZINC ALLOY
PLATED NICKEL
- CENTER CONTACT PHOSPHOR BRONZE
PLATED GOLD
- INSULATOR POLYPROYLENE (94V0)

- BOARD LOCK PHOSPHOR BRONZE
PLATED TIN

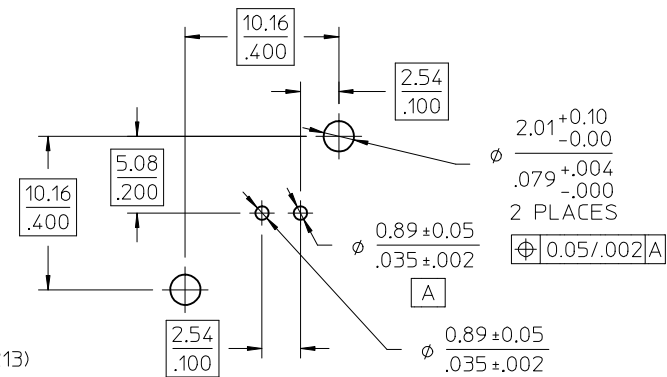
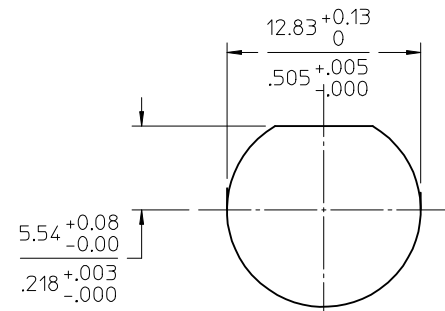
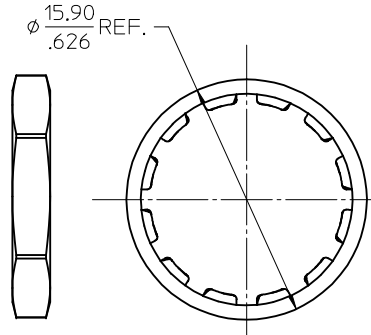
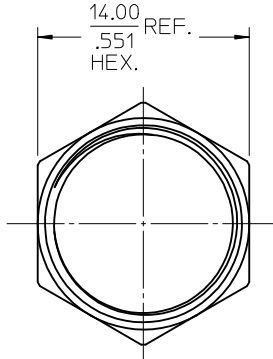
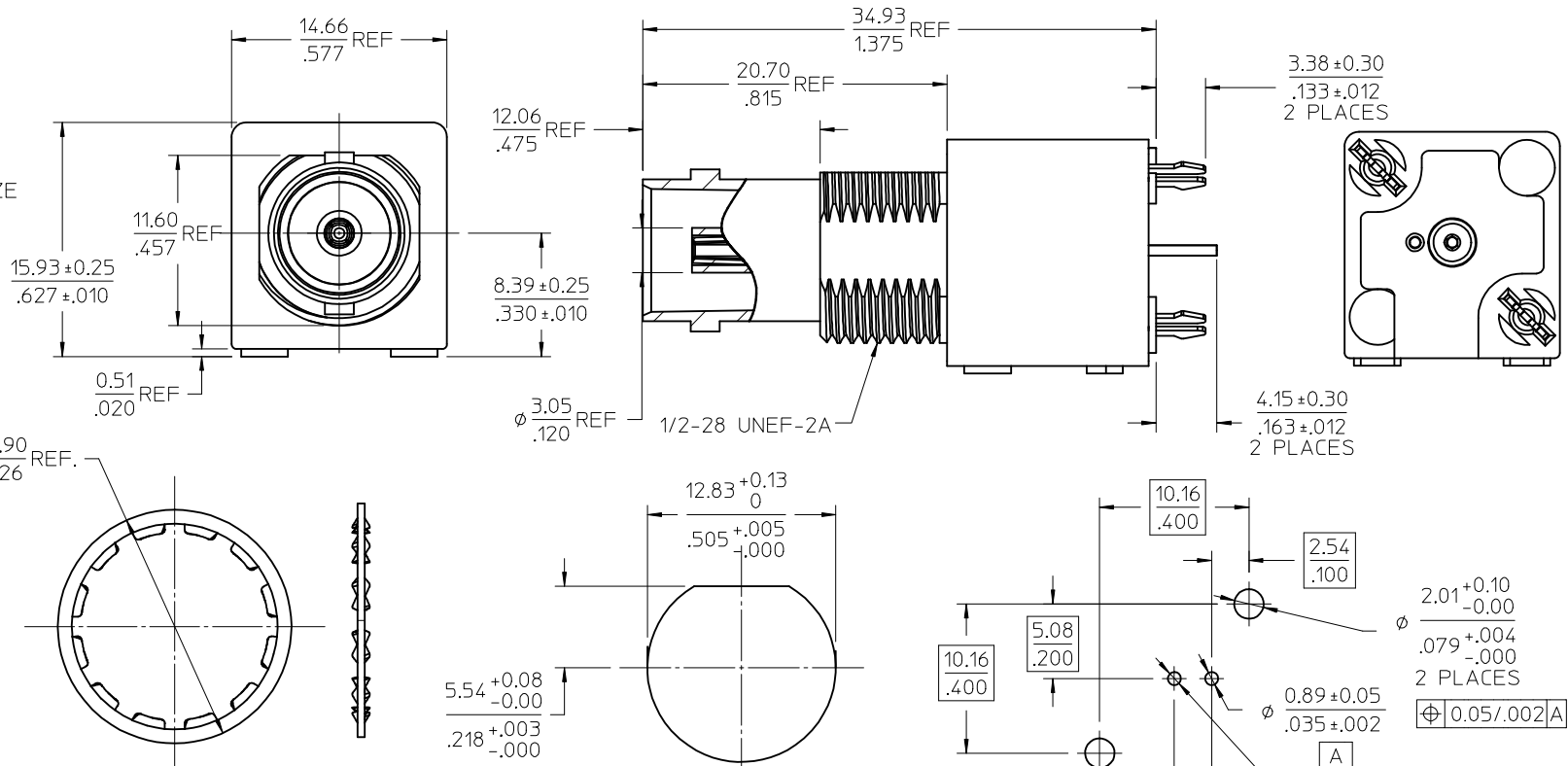
- SOLDER TAIL COPPER
PLATED TIN

- LOCK WASHER PHOSPHOR BRONZE
PLATED NICKEL

- NUT BRASS
PLATED NICKEL

PACKAGING: BY TRAY

LEADS ARE TO BE
ADJUSTED TO FIT
PCB PATTERN



PART # 73101-0190

RECOMMENDED MOUNTING HOLE
MAXIMUM PANEL THICKNESS 5.40(.213)
RECOMMENDED MOUNTING TORQUE:
1.36 N-m(12 INCH-LBS)

RECOMMENDED PCB HOLE
CONFIGURATION

PS-73598-0051	PRODUCT SPECIFICATION
SPECIFICATION	DESCRIPTION

CHG: ADDED PKG PER RFI5-E286 EC NO: URF2016-0101 DRW: WJW102 2015/08/14 CHKD: APPR: YCHENG	2015/08/19	DESCRIPTION
	A2	REV

QUALITY SYMBOLS	▽=0
	▽=0
	▽=0

GENERAL TOLERANCES (UNLESS SPECIFIED)	mm	INCH
4 PLACES	± .005	± .0002
3 PLACES	± .005	± .0002
2 PLACES	± .005	± .0002
1 PLACE	± .005	± .0002
0 PLACE	± .005	± .0002
ANGULAR ± 2 °		
DRAFT WHERE APPLICABLE MUST REMAIN WITHIN DIMENSIONS		

DIMENSION STYLE	MM/IN
SCALE	METRIC
DESIGN UNITS	METRIC
THIRD ANGLE PROJECTION	
DRAWN BY	EVITA
DATE	2007/04/20
CHECKED BY	RENEE
DATE	2007/04/20
APPROVED BY	MISEN
DATE	2007/04/20
MATERIAL NO.	731010190
DOCUMENT NO.	SD-73101-019
SHEET NO.	1 OF 1

TITLE
**BNC JACK, VERTICAL PCB,
DIE CAST, 75 OHMS WITH
WASHER, NUT BNC-J/PCB**

molex

THIS DRAWING CONTAINS INFORMATION THAT IS PROPRIETARY TO MOLEX
INCORPORATED AND SHOULD NOT BE USED WITHOUT WRITTEN PERMISSION