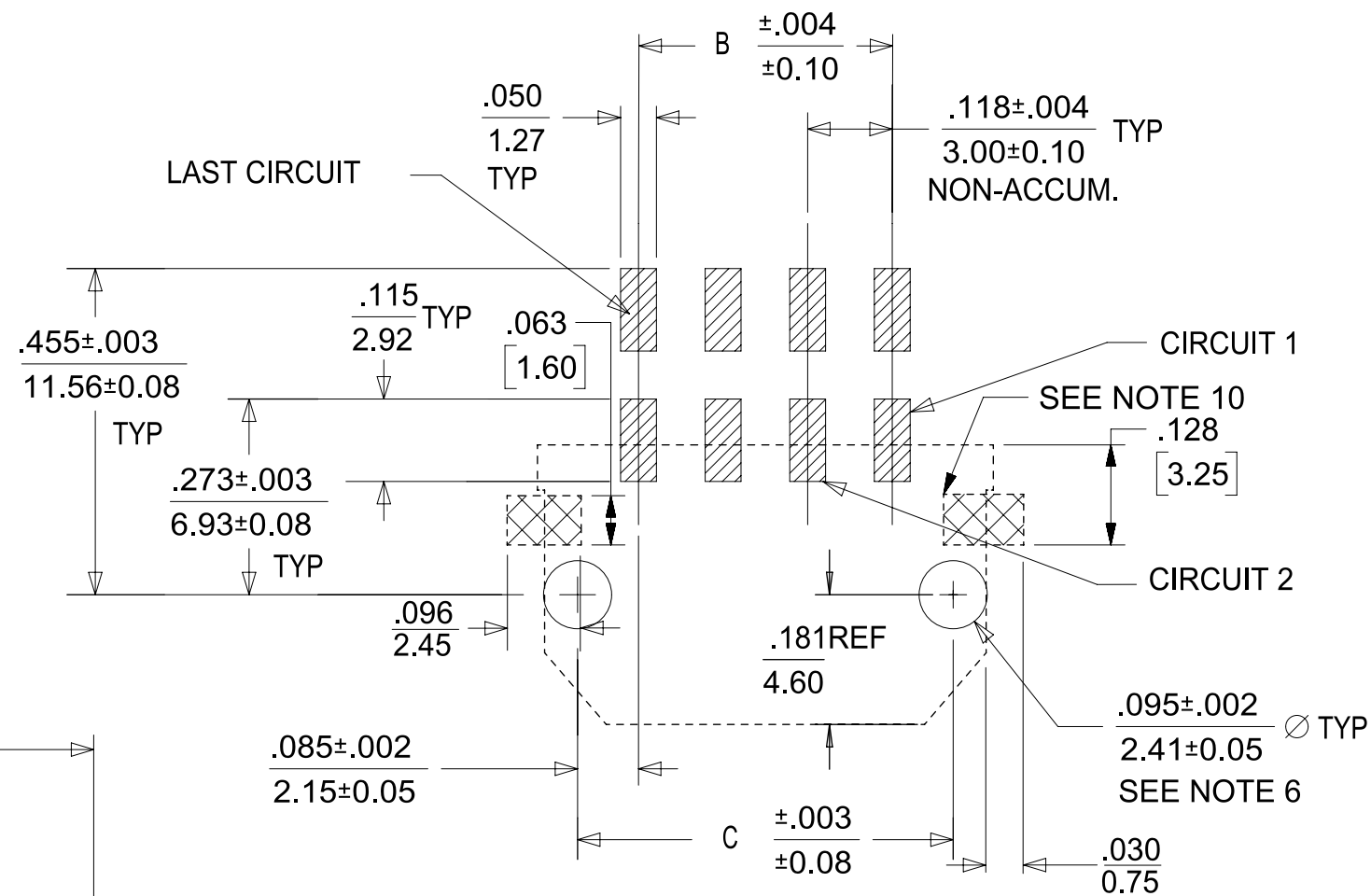
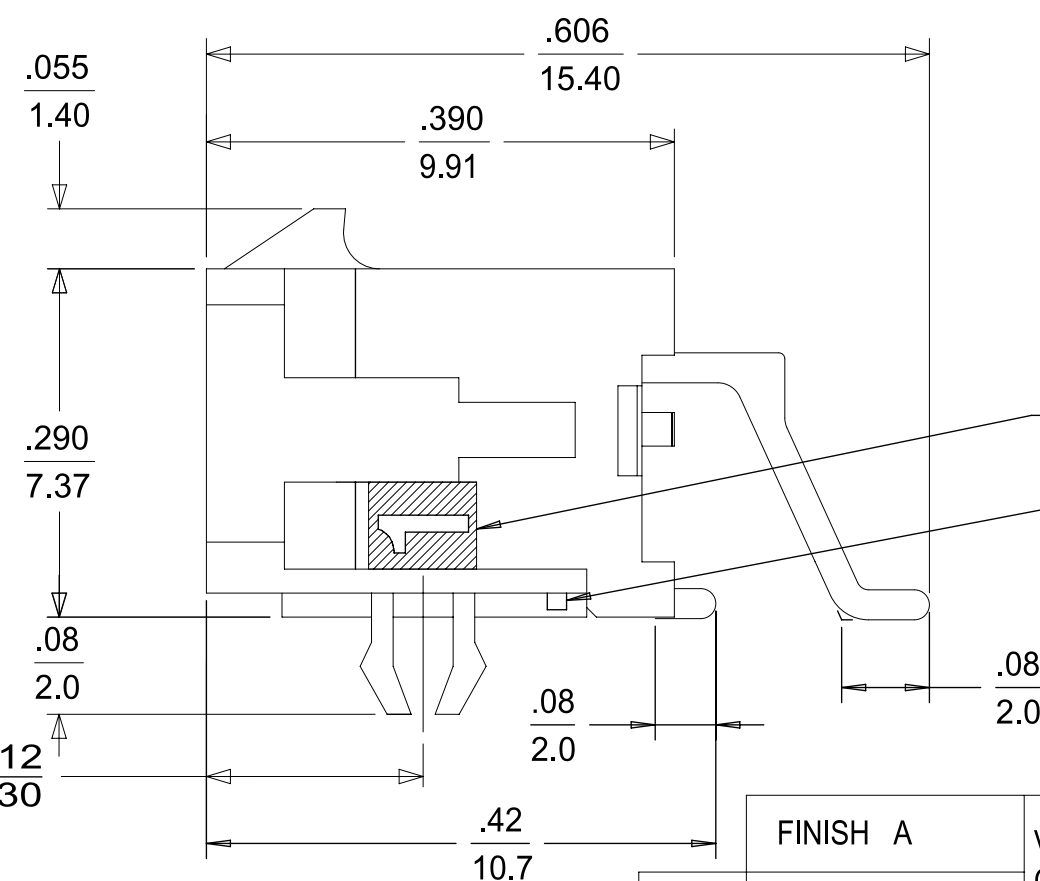
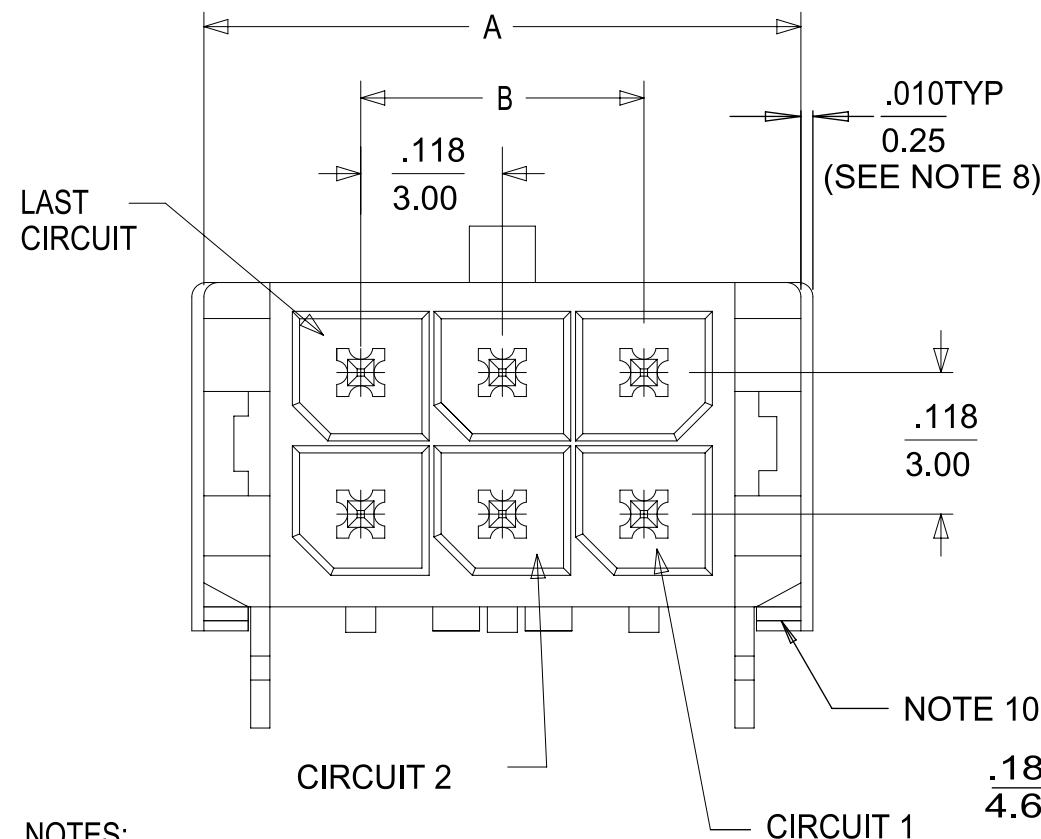
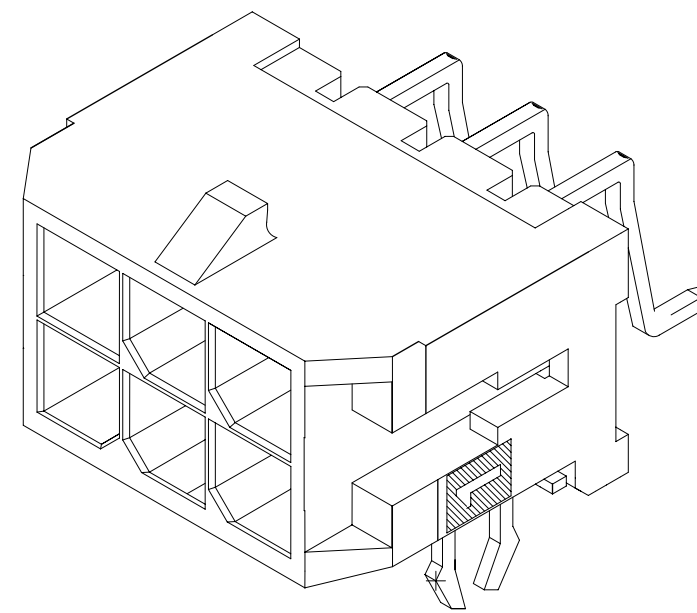
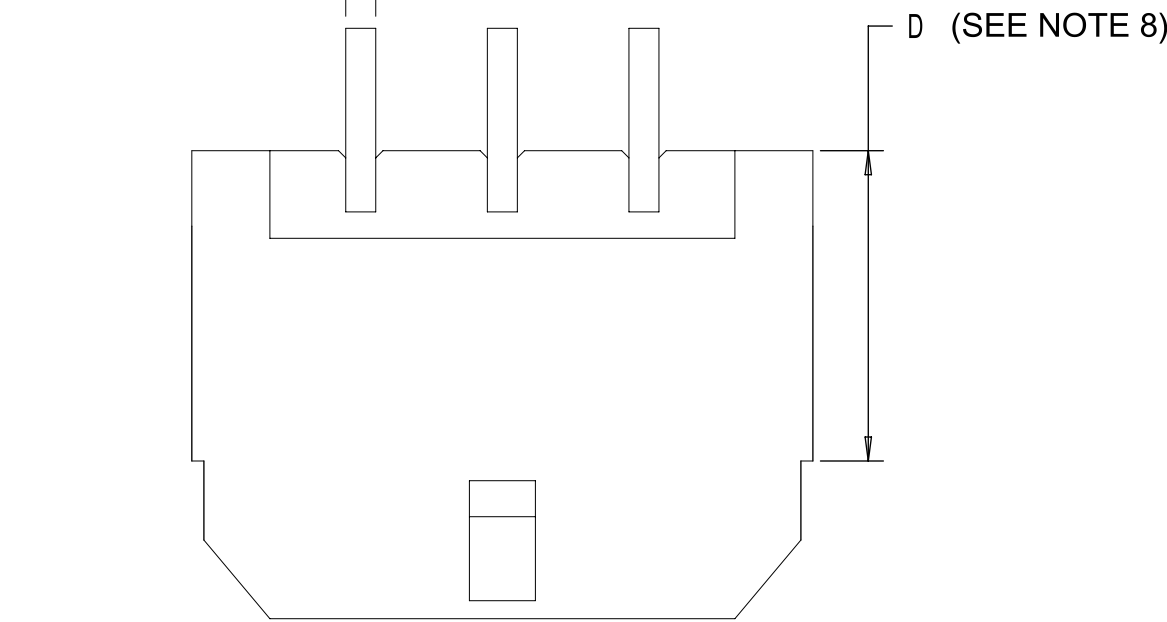


.025  
0.64 SQ TYP



PCB LAYOUT: COMPONENT SIDE  
RECOMMEND PCB THICKNESS: .062/1.57

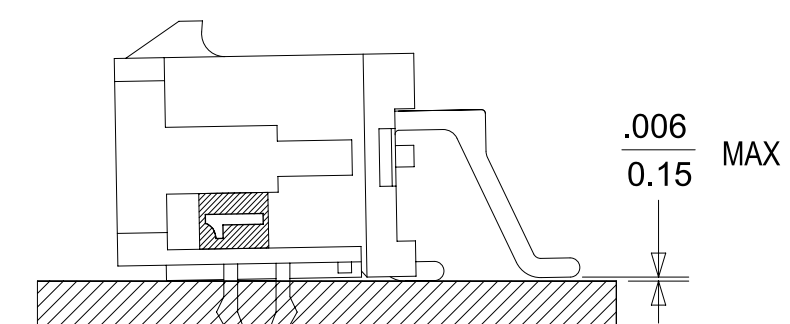
CIRCUIT "1" IDENTIFIED ON THIS SURFACE  
(APPROX. LOCATION SHOWN FOR REF.)

NOTE 10

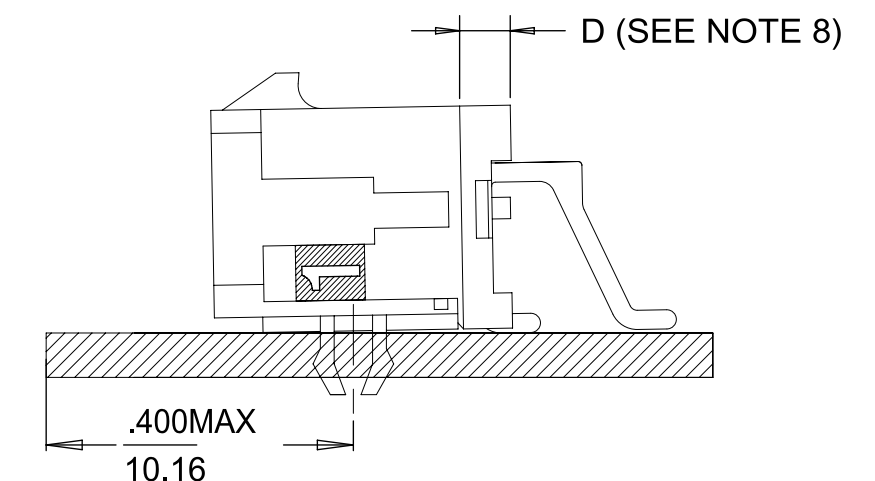
NOTES:

- HOUSING MATERIAL: GLASS FILLED LIQUID CRYSTAL POLYMER, UL94V-0, COLOR: BLACK  
TERMINAL MATERIAL: BRASS ALLOY
- FINISH: A = .000060/(0.00152) MIN. REFLOWED MATTE TIN OVER .000050/(0.00127) MIN. NICKEL PLATE.  
(FINISH IS BRIGHT IN APPEARANCE, THICKNESS AS APPLIED PRIOR TO REFLOW).  
B = .000015/(0.00038) MIN. SELECT GOLD IN CONTACT AREA; .000100/(0.00254) MIN. SELECT MATTE TIN ON SOLDER TAILS; BOTH OVER .000050/(0.00127) MIN. NICKEL PLATE.  
C = .000030/(0.00076) MIN. SELECT GOLD IN CONTACT AREA; .000100/(0.00254) MIN. SELECT MATTE TIN ON SOLDER TAILS; BOTH OVER .000050/(0.00127) MIN. NICKEL PLATE.  
D = .000100/(0.00254) MIN. MATTE TIN OVER .000050/(0.00127) MIN. NICKEL PLATE.
- PRODUCT SPECIFICATION: PS-43045
- TAPE AND REEL PACK: SEE MOLEX DRAWING PK-70873-05\*\*, SHEET 1
- MATES WITH MICRO FIT (3.0) RECEPTACLE SERIES 43025
- TO MINIMIZE INSERTION FORCE OF MOUNTING CLIPS DURING ROBOTIC PLACEMENT THE HOLE DIAMETER SHOULD BE INCREASED TO .108±.002 / 2.74±0.05 AND THEN EVALUATED PER PLACEMENT EQUIPMENT.
- THE COPLANARITY DIMENSION IS ESTABLISHED BY PLACING THE ASSEMBLY ON A FLAT SURFACE. THE DISTANCE FROM THAT SURFACE TO THE BOTTOM OF ANY TERMINAL MUST NOT EXCEED .006/0.15
- CIRCUIT SIZES 2-6: "D" IS .265/6.74 FOR .010/0.25 STEP.  
CIRCUIT SIZES 8-24: "D" IS .063/1.60 FOR .010/0.25 STEP.
- TO AVOID INTERFERENCE BETWEEN RECEPTACLE AND PCB, HEADER MUST BE PLACED WITHIN .400/(10.16) MAX. FROM EDGE OF PCB, AS SHOWN IN LOCATION DETAIL.
- METAL TAB MAY BE FLUSH WITH PCB. NO EXPOSED TRACES OR VIAS ALLOWED NEAR THESE AREAS.
- THIS PART CONFORMS TO CLASS B REQUIREMENTS OF COSMETIC SPECIFICATION PS-45499-002.

	FINISH A	VOID CKT	FINISH B	FINISH C	FINISH D
CKTS	MATERIAL NO:		MATERIAL NO:	MATERIAL NO:	MATERIAL NO:
02	43045-0206		43045-0207	43045-0208	43045-0303
04	43045-0406		43045-0407	43045-0408	43045-0503
06	43045-0606		43045-0607	43045-0608	43045-0703
08	43045-0806		43045-0807	43045-0808	43045-0903
10	43045-1006		43045-1007	43045-1008	43045-1103
12	43045-1206		43045-1207	43045-1208	43045-1303
14	43045-1406		43045-1407	43045-1408	43045-1503
16	43045-1606		43045-1607	43045-1608	43045-1703
18	43045-1806		43045-1807	43045-1808	43045-1903
20	43045-2006		43045-2007	43045-2008	43045-2103
22	43045-2206		43045-2207	43045-2208	43045-2303
24	43045-2406		43045-2407	43045-2408	43045-2503
12	43045-9206	3,4 9,10			
16	43045-9606	4,5 12,13			



COPLANARITY DETAIL  
(SEE NOTE #7)



LOCATION DETAIL  
(SEE NOTE #9)

THIS DRAWING CONTAINS INFORMATION THAT IS PROPRIETARY TO MOLEX ELECTRONIC TECHNOLOGIES, LLC AND SHOULD NOT BE USED WITHOUT WRITTEN PERMISSION

QUALITY SYMBOLS	ADD LOCK TANG AREA	GENERAL TOLERANCES (UNLESS SPECIFIED)	DIMENSION UNITS		SCALE
			MM	INCH	---
▽ = 0	EC NO: 113192	4 PLACES ±	2017/02/07	DRWN BY	DATE
▽ = 0					
▽ = 0	DRWN: CSLAFTER	3 PLACES ±	2017/12/27	CHK'D BY	DATE
▽ = 0					
▽ = 0	CHKD: SSOUSEK	2 PLACES ± 0.25	2017/12/28	APPR BY	DATE
▽ = 0					
▽ = 0	APP: FSMITH	1 PLACES ± 0.36		DRAWING SIZE	THIRD ANGLE PROJECTION
▽ = 0					
▽ = 0	G6	0 PLACES ±		ANGULAR TOL + 0.5	
▽ = 0					
▽ = 0				DRAFT WHERE APPLICABLE MUST REMAIN WITHIN DIMENSIONS	
▽ = 0					

**molex**

MICRO FIT (3.0) RIGHT ANGLE SMT, CLIPS DUAL ROW HEADER

PRODUCT CUSTOMER DRAWING

SERIES	MATERIAL NUMBER	CUSTOMER
43045	SEE CHART	GENERAL MARKET
DOCUMENT NUMBER	DOC TYPE	DOC PART SHEET NUMBER
SD-43045-003	PSD	000 1 OF 1