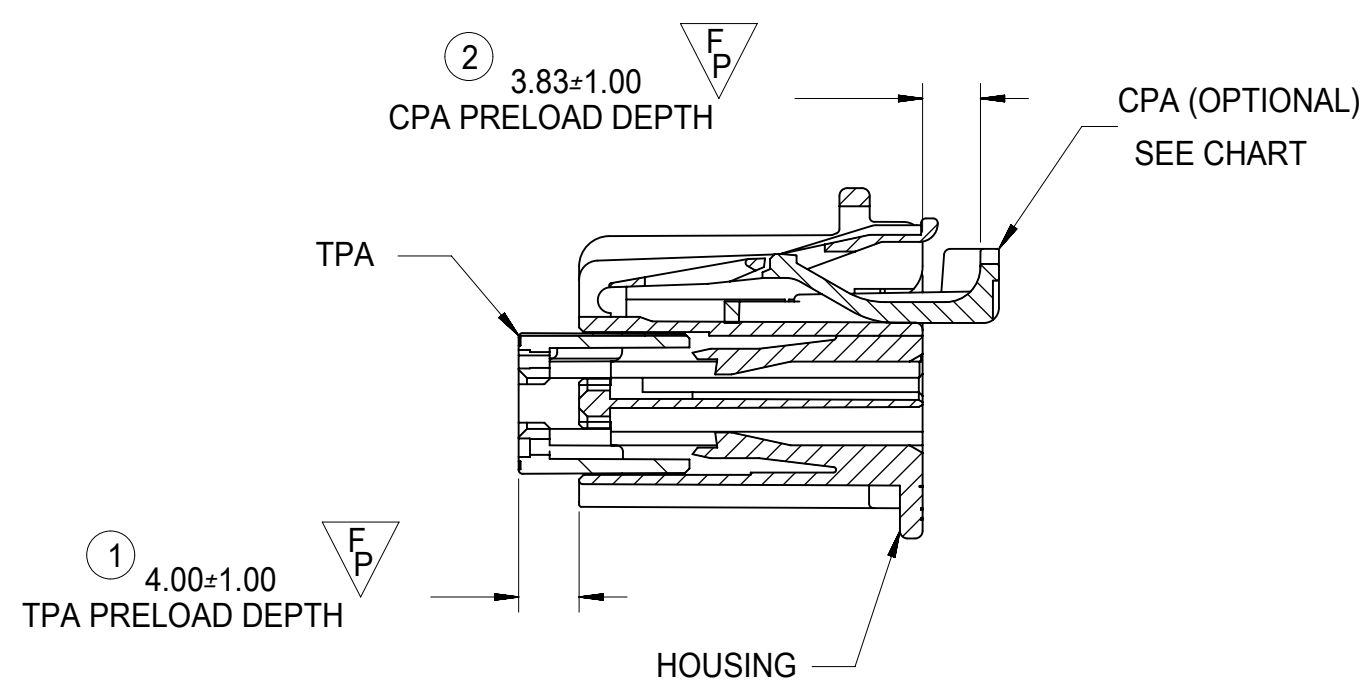
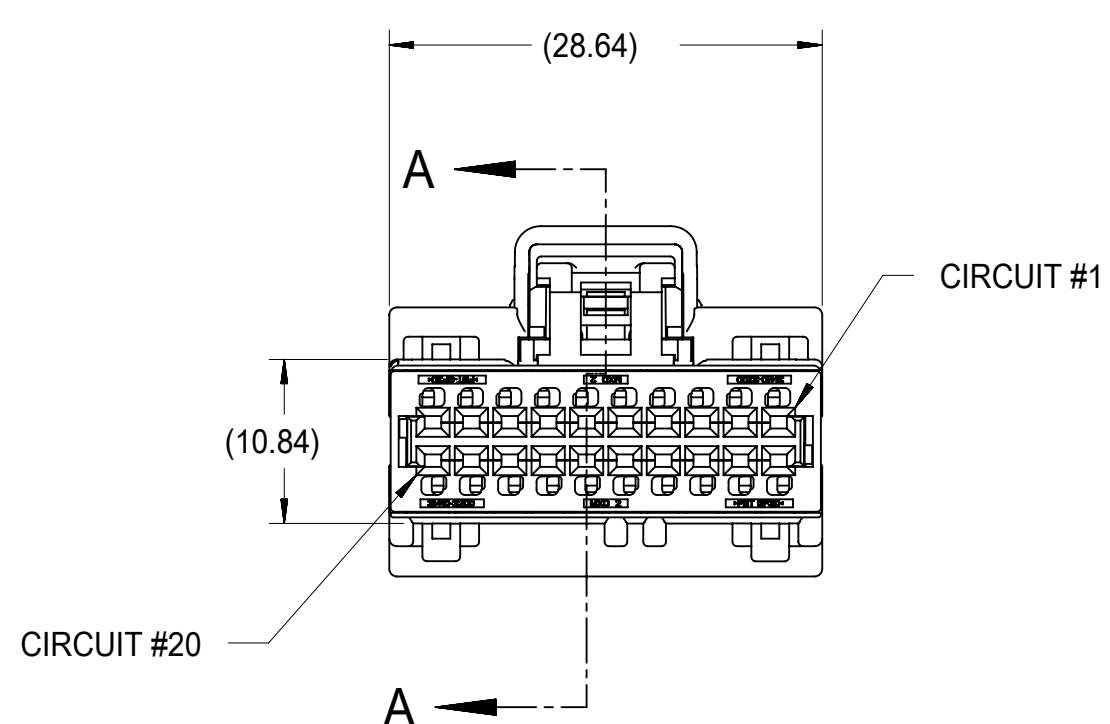
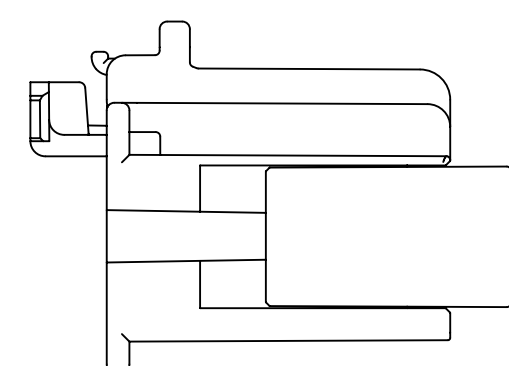
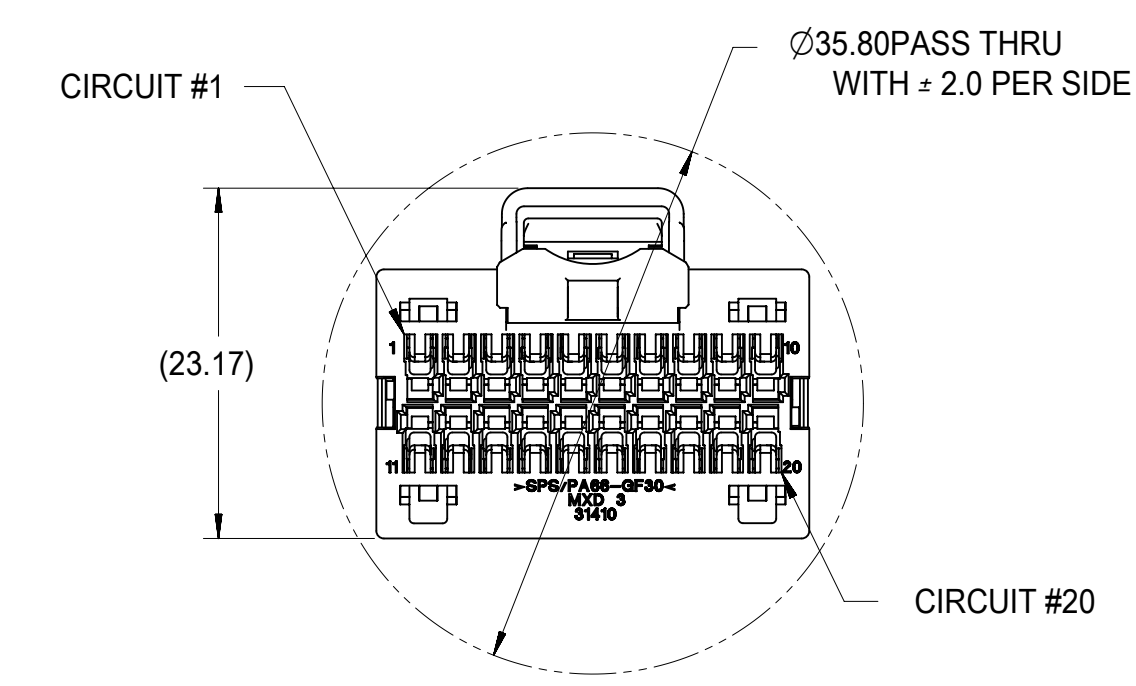


**POLARIZATION OPTIONS**



**SECTION A-A**



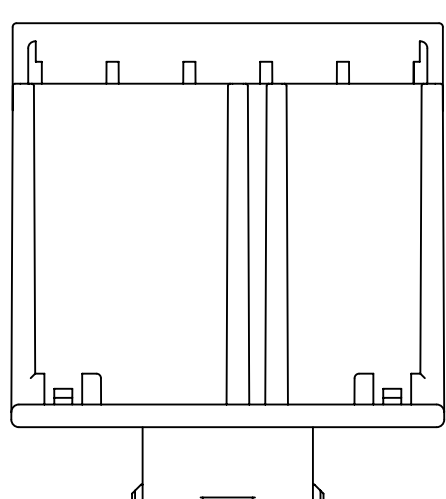
**PART OPTIONS**

MOLEX ASSY/ P/N	HOUSING P/N	TPA P/N	POLARIZATION	COLOR	CPA	TOOLED
31410-0200	31410-2200	31410-3200	A	BLACK	Y	YES
31410-1200					N	YES
31410-0201	31410-2201		B	GRAY	Y	YES
31410-1201					N	YES
31410-0202	31410-2202		C	BROWN	Y	YES
31410-1202					N	YES
31410-0203	31410-2203		D	GREEN	Y	YES
31410-1203					N	YES
31410-0205	31410-2204	A	BLACK	Y	YES	
31410-0206	31410-2205	B	GRAY	Y	YES	
31410-0207	31410-2206	C	BROWN	Y	YES	
31410-0208	31410-2207	D	GREEN	Y	YES	

GM PREFERRED

MOLEX AUTOMATION ENGINEERING / FUNCTIONAL ASSEMBLY = 0  
 CUSTOMER / FUNCTIONAL CUSTOMER = 0  
 MOLEX PRODUCT ENGINEERING / FUNCTIONAL PERFORMANCE = 2

- NOTES:
- DIMENSIONED IN ACCORDANCE WITH ANSI Y14.5M-1994.
  - PARTS SHIPPED WITH TPA IN PRELOADED POSITION AS SHOWN UPON FULL TERMINAL ASSEMBLY, THE TPA MUST BE SNAPPED INTO ITS FINAL LOCKED POSITION.
  - TPA's MAY BECOME SEATED DURING TRANSIT. IF THIS OCCURS REFERENCE MOLEX PRODUCT SPECIFICATION PS-34646-001.
  - SOME CONNECTORS MAY BECOME DAMAGED DURING SHIPPING AND SHOULD BE DISCARDED.
  - TO BE USED WITH YAZAKI KAIZEN CAVITY COMPATIBLE FEMALE TERMINALS.
  - OPTIONAL CPA SHOWN IN ALL VIEWS. SEE TABLES FOR SPECIFIC ASSEMBLY OPTION AND NUMBER.
  - PACKAGING PER DRAWING PK-31300-044.

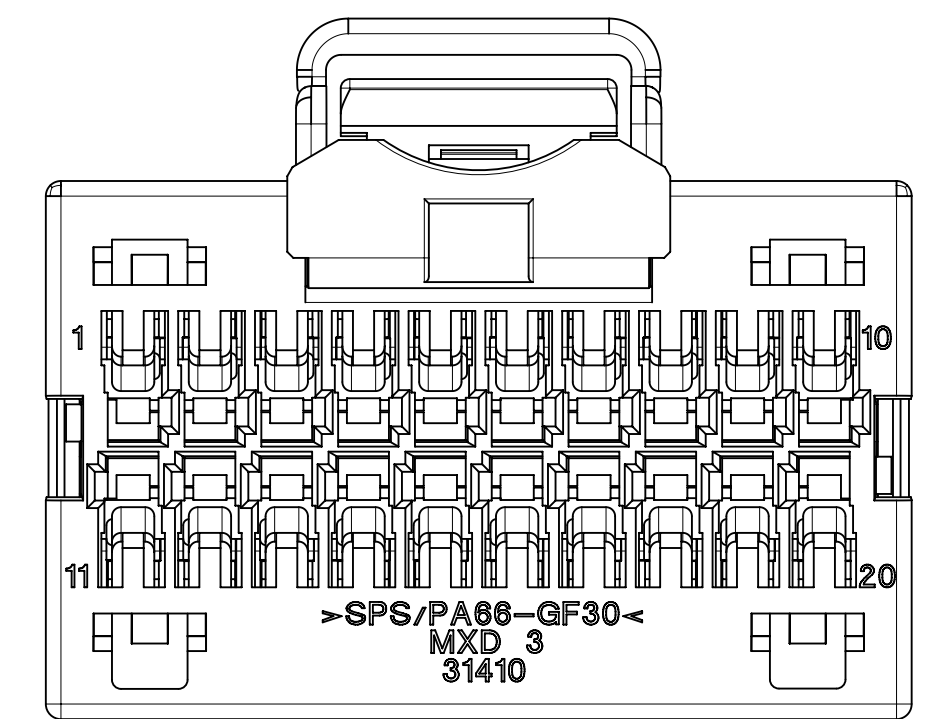
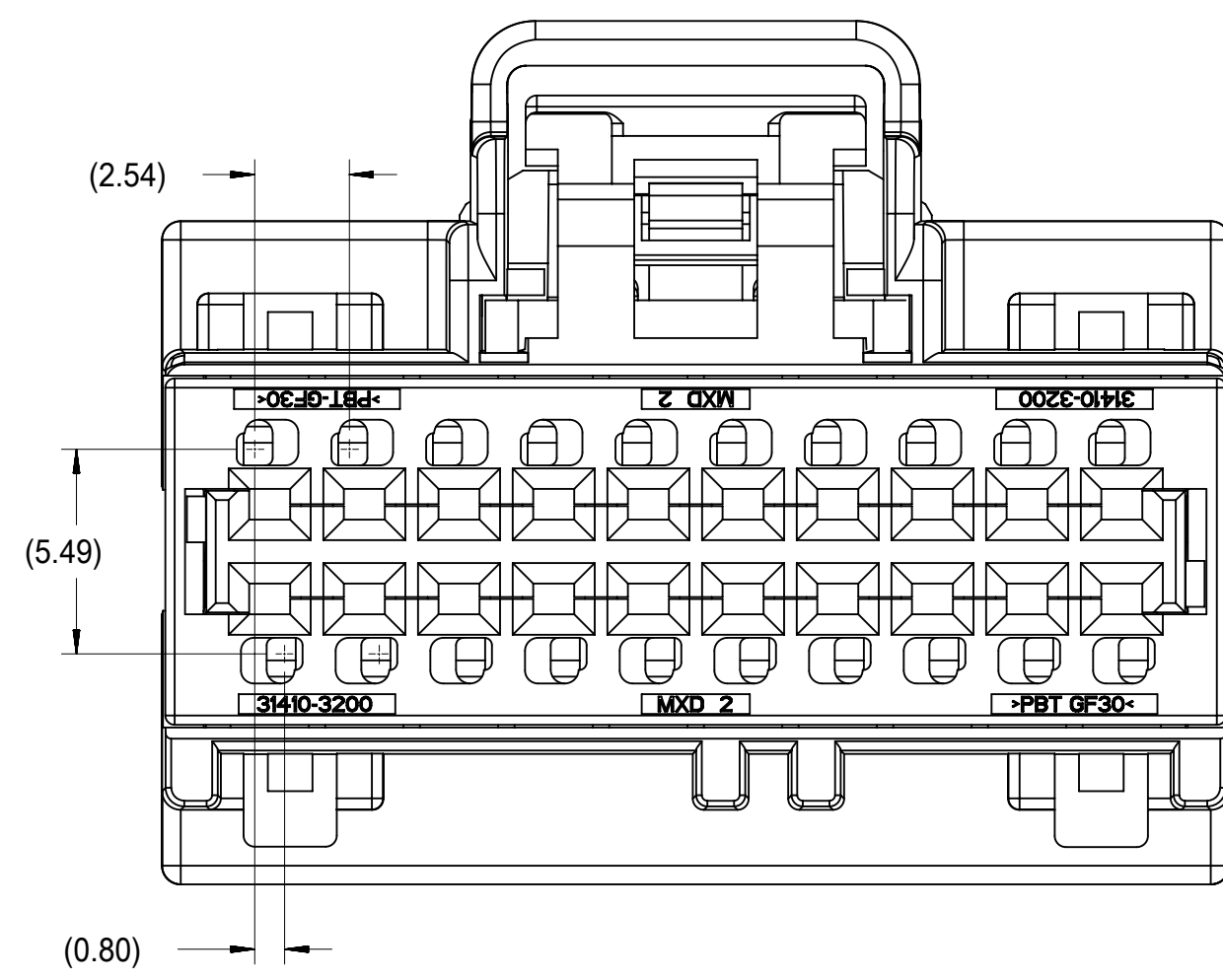


SYMBOLS	THIS DRAWING CONTAINS INFORMATION THAT IS PROPRIETARY TO MOLEX ELECTRONIC TECHNOLOGIES, LLC AND SHOULD NOT BE USED WITHOUT WRITTEN PERMISSION		CURRENT REV DESC:					
	DIMENSION UNITS	SCALE						EC NO: 172167
▽ = 0	mm	1:1	GENERAL TOLERANCES (UNLESS SPECIFIED)		CHK'D: RBAUMAN	2018/02/13	USCAR 0.64MM RECEPTACLE SALES DRAWING, 20 CKT.	
▽ = 0	ANGULAR TOL ± 3.0°		4 PLACES ±		APPR: RBAUMAN	2018/02/13	PRODUCT CUSTOMER DRAWING	
▽ = 0	3 PLACES ±		2 PLACES ± 0.13		INITIAL REVISION:		DOCUMENT NUMBER	
▽ = 0	2 PLACES ± 0.25		1 PLACE ±		DRWN: MDANIELS	2003/09/25	SD-31410-100	
▽ = 0	0 PLACES ±		DRAFT WHERE APPLICABLE MUST REMAIN WITHIN DIMENSIONS		APPR: BBWILSON	2004/04/16	PSD 001 G1	
▽ = 0	THIRD ANGLE PROJECTION		DRAWING		SERIES		DOC TYPE DOC PART REVISION	
▽ = 0	D-DRAWING		31410		MATERIAL NUMBER		CUSTOMER	
D-DRAWING		31410		GENERAL MARKET		SHEET NUMBER		

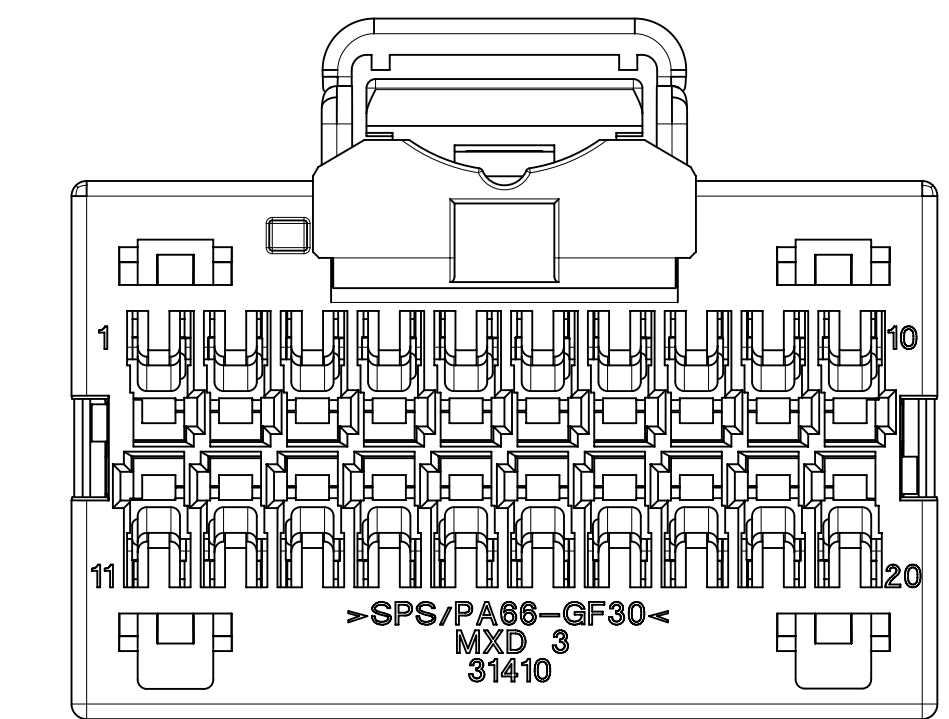
SUPPLIER	TERMINAL	ORIENTATION	AWG	MATERIAL	PLATING	SUPP PART #	GM PART #
TYCO	GEN Y	SIDE	20-22	CuNiSi	TIN	2035170-1	13576204
TYCO	GEN Y	SIDE	18	CuNiSi	TIN	2035170-2	13576205
TYCO	GEN Y	SIDE	20-22	BRONZE	SILVER	2035124-1	13576200
TYCO	GEN Y	SIDE	18	BRONZE	SILVER	2035124-2	13576201
TYCO	GEN Y	DOWN	20-22	CuNiSi	TIN	1924727-1	13576202
TYCO	GEN Y	DOWN	18	CuNiSi	TIN	1924727-2	13576203
JST	AIT	SIDE	20-22	Cu ALLOY	AuSn	SAIT-A03GF-M064	19167039
JST	AIT	SIDE	18	Cu ALLOY	AuSn	SAIT-A02GF-M064	19167040
JST	AIT	SIDE	20-22	Cu ALLOY	PRE-TIN	SAIT-A03T-M064	19167037
JST	AIT	SIDE	18	Cu ALLOY	PRE-TIN	SAIT-A02T-M064	19167038

USING 18GA TERMINAL SYSTEMS RESULTS IN HIGHER THAN NORMAL TERMINAL-TO-CONNECTOR INSERTION FORCE

### PROBE HOLE LOCATIONS



31410-0200/1/2/3  
GM NON-PREFERRED



31410-0205/6/7/8  
GM PREFERRED

SYMBOLS	THIS DRAWING CONTAINS INFORMATION THAT IS PROPRIETARY TO MOLEX ELECTRONIC TECHNOLOGIES, LLC AND SHOULD NOT BE USED WITHOUT WRITTEN PERMISSION		CURRENT REV DESC:				
	DIMENSION UNITS	SCALE					
▽ = 0	mm	4:1	GENERAL TOLERANCES (UNLESS SPECIFIED)		CHK'D: RBAUMAN	2018/02/13	USCAR 0.64MM RECEPTACLE SALES DRAWING, 20 CKT.
▽ = 0	ANGULAR TOL ± 3.0°		4 PLACES ±		APPR: RBAUMAN	2018/02/13	
▽ = 0	3 PLACES ±		2 PLACES ± 0.13		INITIAL REVISION:		PRODUCT CUSTOMER DRAWING
▽ = 0	2 PLACES ±		1 PLACE ± 0.25		DRWN: MDANIELS	2003/09/25	
▽ = 0	1 PLACE ±		0 PLACES ±		APPR: BBWILSON	2004/04/16	DOCUMENT NUMBER
▽ = 0	DRAFT WHERE APPLICABLE MUST REMAIN WITHIN DIMENSIONS		THIRD ANGLE PROJECTION	DRAWING	SERIES	MATERIAL NUMBER	DOC TYPE
▽ = 0				D-SIZE	31410	PSD	DOC PART
			GENERAL MARKET		REVISION		
			2 OF 2				