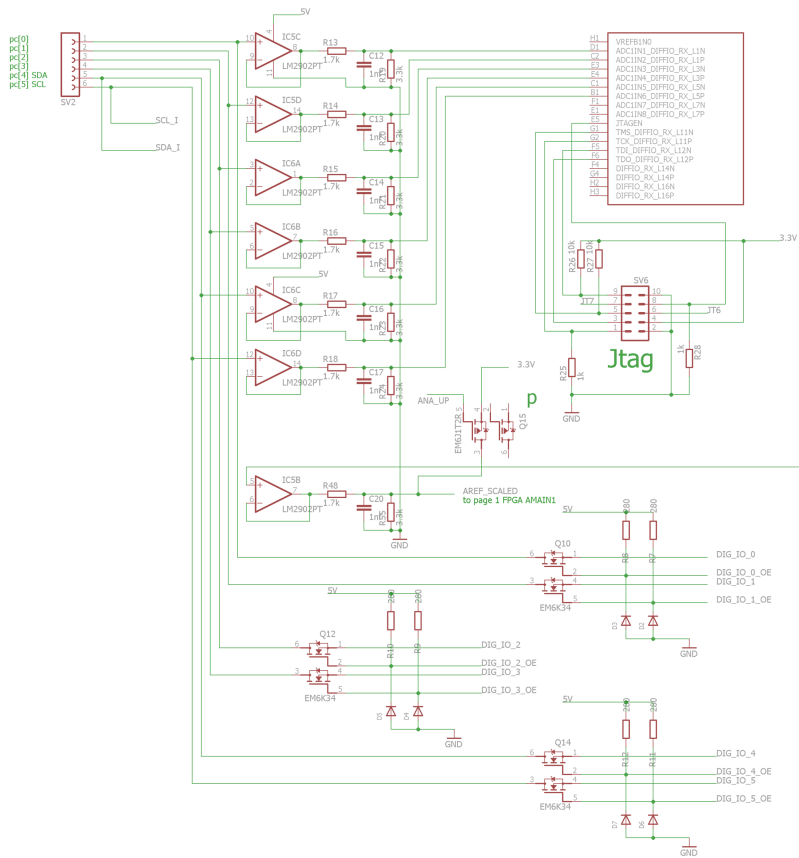
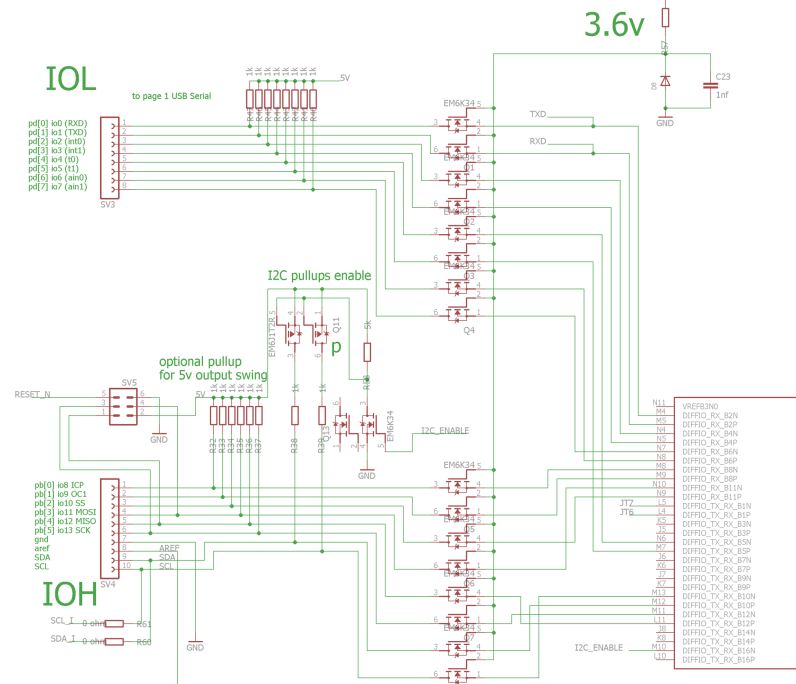


<b>XLR8 Development Board</b>	
Alorium Technology, LLC	
Released under the Creative Commons Attribution Share-Alike 3.0 License <a href="https://creativecommons.org/licenses/by-sa/3.0">https://creativecommons.org/licenses/by-sa/3.0</a>	Rev 2.2
Date: 9/7/16 8:36AM	Sheet: 1/3

### AD Analog inputs and digital input level shift



### Bidirectional 5v:3.3v level shifting



XLR8 Development Board

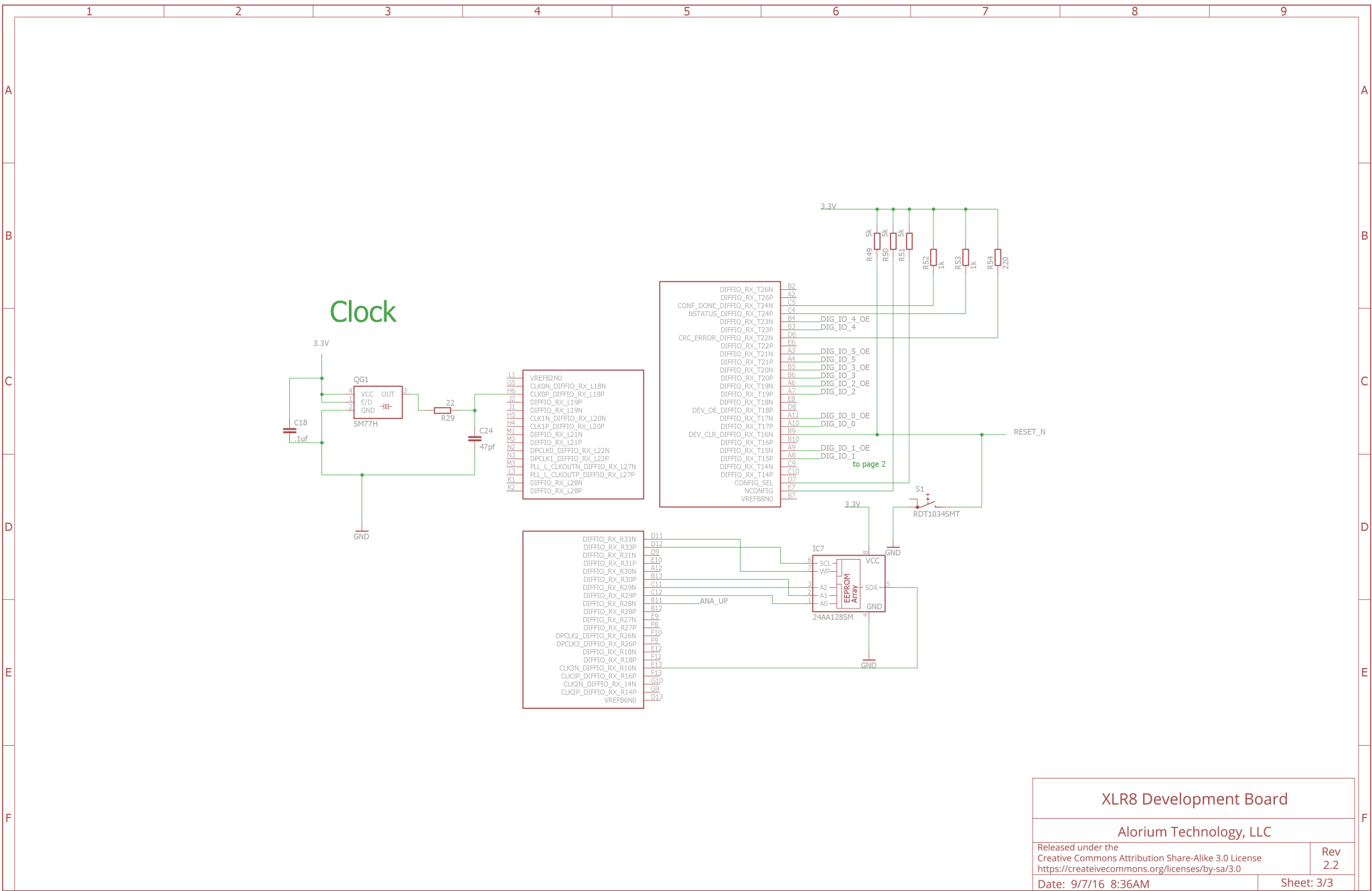
Alorium Technology, LLC

Released under the  
Creative Commons Attribution Share-Alike 3.0 License  
<https://creativecommons.org/licenses/by-sa/3.0>

Rev  
2.2

Date: 9/7/16 8:36AM

Sheet: 2/3



XLR8 Development Board

Alorium Technology, LLC

Released under the Creative Commons Attribution Share-Alike 3.0 License  
<https://creativecommons.org/licenses/by-sa/3.0>

Rev 2.2

Date: 9/7/16 8:36AM

Sheet: 3/3