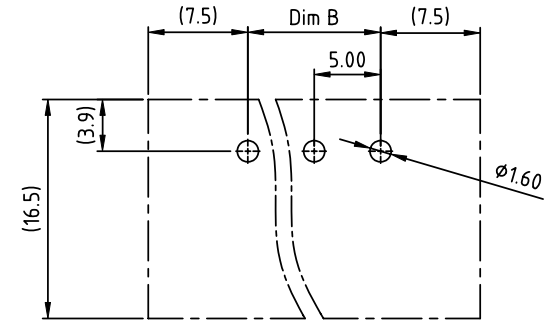
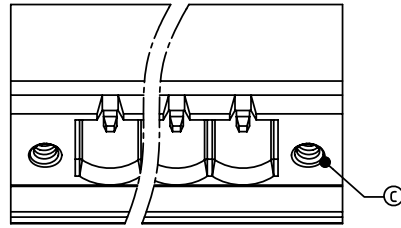
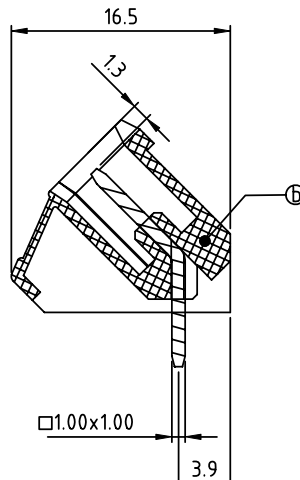
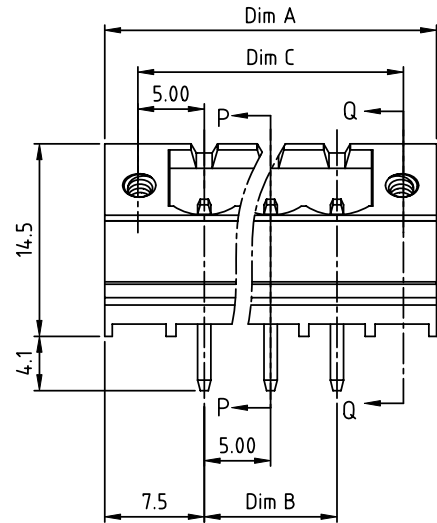


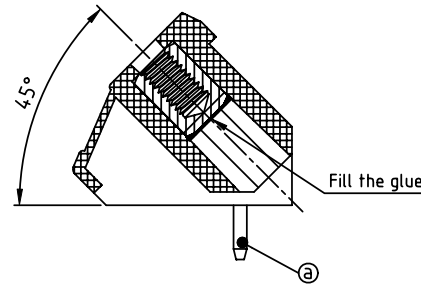
PRODUCT NUMBER	PITCH
VKxx72x000J0G	5.00 mm



RECOMMENDED P.C.B. LAYOUT  
TOP VIEW



SECTION P-P



SECTION Q-Q

Material:

- Item ① Male contact pin: Copper Tin plated
- Item ② Terminal(housing): Thermoplastic (UL94V-0)
- Item ③ With flange nut: Brass ,M2.5

Electrical:

- Voltage rating: 300V/300V/300V
- Current rating: 15A/17A/20A
- Withstanding Voltage: 1.6 KV/2.5KV/2.5KV
- Operating temperature: -40°C to +115°C
- Soldering temperature: 260°C±5°C/5 Sec
- Safety Approval: cULus /VDE/TUV

N = Number of poles  
 DimA=(N+2)×5.0  
 DimB=(N-1)×5.0  
 DimC=(N-1)×5.0+10.0

Poles	Tolerance
2-6p	±0.15
7-12p	±0.20
13-18p	±0.30
19-24p	±0.40

PART NO.: VK xx 72 x 0 00J0 G

Solid block	0	Color	RoHS compliant (lead<4%) In copper Alloy
No. of poles	2	Black (RAL9005)	
02	2 poles	3 Red (RAL3001/D)	
03	3 poles	4 Orange(RAL2011/P)	
...	...	5 Yellow(RAL1018/A)	
...	...	6 Green(RAL6018/T)	
24	24 poles	7 Blue (RAL5015/A)	
		8 Grey(RAL7035/D)	
		9 White(RAL1102)	
		C Green(RAL6018/U)	

mat'l. code		surface ASME Y14.5	tolerance ASME Y14.5	projection	product family TERMINAL BLOCK
ltr	ecn no	dr	date	tolerances unless otherwise specified	title TERMINAL BLOCK
				angles X±0.5	PLUGGABLE SOCKET,45DEGREE,WITH FLANGE
				X.X±0.3	scale
				X*±1°	MM
dr	EVIN ZHONG	042214			dwg no VKxx72x000J0G
enr	EVIN ZHONG	042214			sheet 1 of 1
chr	HANKE FENG	042214			size A4
appd	SHI JUN	042214			type CUSTOMER Drawing
sheet index	revision sheet	A	1		