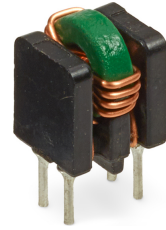
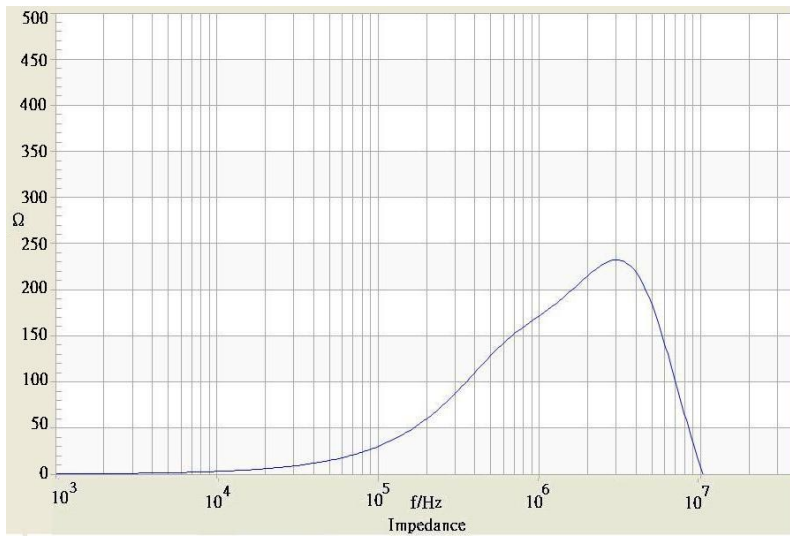


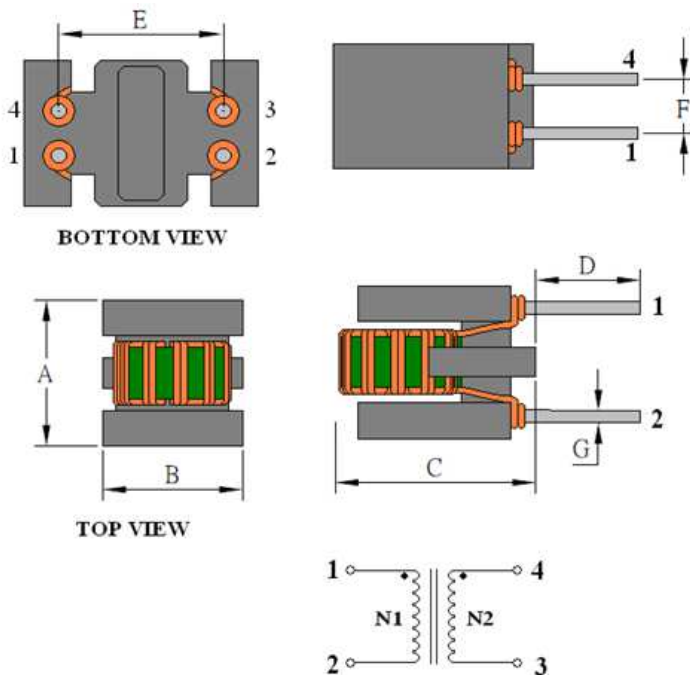
<b>Order Code</b>	<b>TCK-117</b>
<b>Inductance</b> (each winding)	52 $\mu\text{H} \pm 25\%$ (at 10 kHz / 50 mV)
<b>Impedance</b> (DCR)	15 m $\Omega$ max.
<b>Rated Current</b>	3.14 A max.
<b>Rated Voltage</b>	500 VDC max. (between windings)
<b>Operating Temperature</b>	-40°C to +105°C



### Impedance Curve



### Outline Dimensions



### Dimensions [mm]

Dimension	Value
A	7.5 max.
B	8.5 max.
C	10.5 max.
D	3.5 ± 1.0
E	5.08 ± 0.5
F	2.54 ± 0.3
G	∅ 0.6 ± 0.1