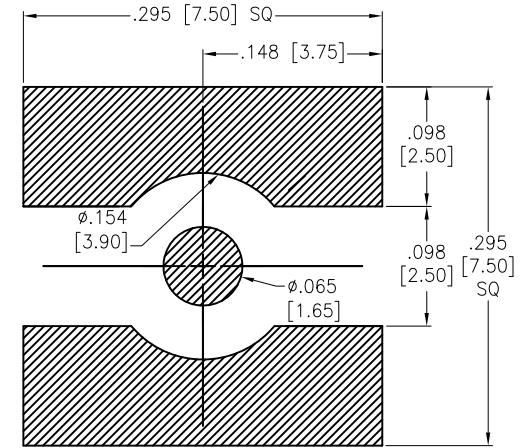
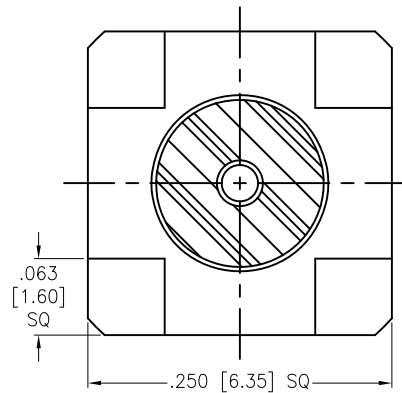
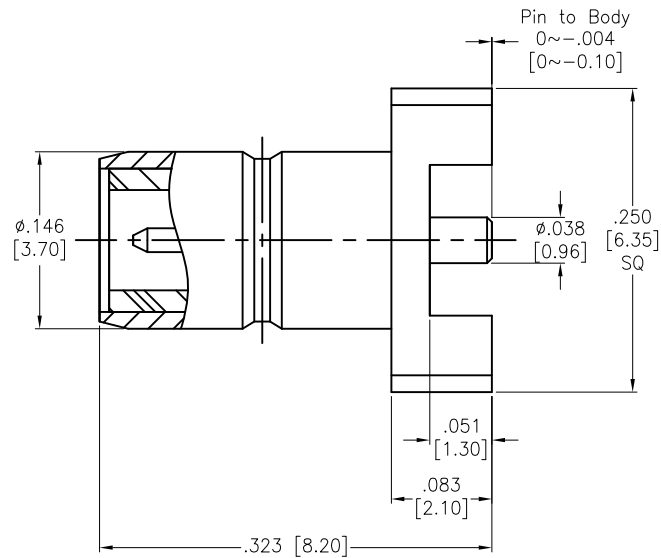


APPROVED: \_\_\_\_\_  
 DATE: \_\_\_\_\_ TITLE: \_\_\_\_\_

Rev	AWO #	Description	Date	Appr
-		RELEASED	8/24/07	
A		UPDATE DRAWING	7/13/17	AY/TY



CENTER PIN	BRASS	GOLD
INSULATOR	TEFLON	
BODY	BRASS	GOLD
DESCRIPTION	MATERIAL	FINISH

**SPECIFICATIONS:**

Electrical:  
 Nominal Impedance: 50 ohms  
 Environmental:  
 Lead free, RoHS compliant.



UNLESS OTHERWISE SPECIFIED  
 ALL DIMENSIONS ARE INCHES [MM]  
 TOLERANCES: EXCEPT AS NOTED  
 INCHES HOLES  
 .X  $\pm .10$   $\phi$ .X  $\pm .10$   
 .XX  $\pm .020$   $\phi$ .XX  $\pm .015$   
 .XXX  $\pm .015$   $\phi$ .XXX  $\pm .010$

APPROVALS		DATE
DRAWN	SLS	8/24/07
CHECKED		
APPROVED		

**ADAM TECH**

909 Rahway Avenue, Union, NJ 07083  
 Phone: 908-687-5000 Fax: 908-687-5710

TITLE  
 RF CONNECTOR, TYPE SMB FEMALE,  
 PCB, 50 OHM,

SIZE X	PART NO. RF3-15-T-00-50-G	REV. A
REF: S00291T	SCALE: NTS	SHEET 1 OF 1