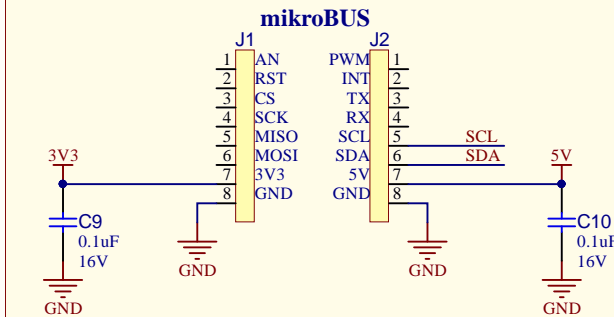
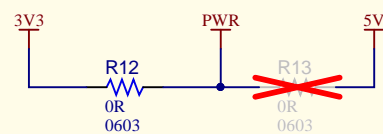


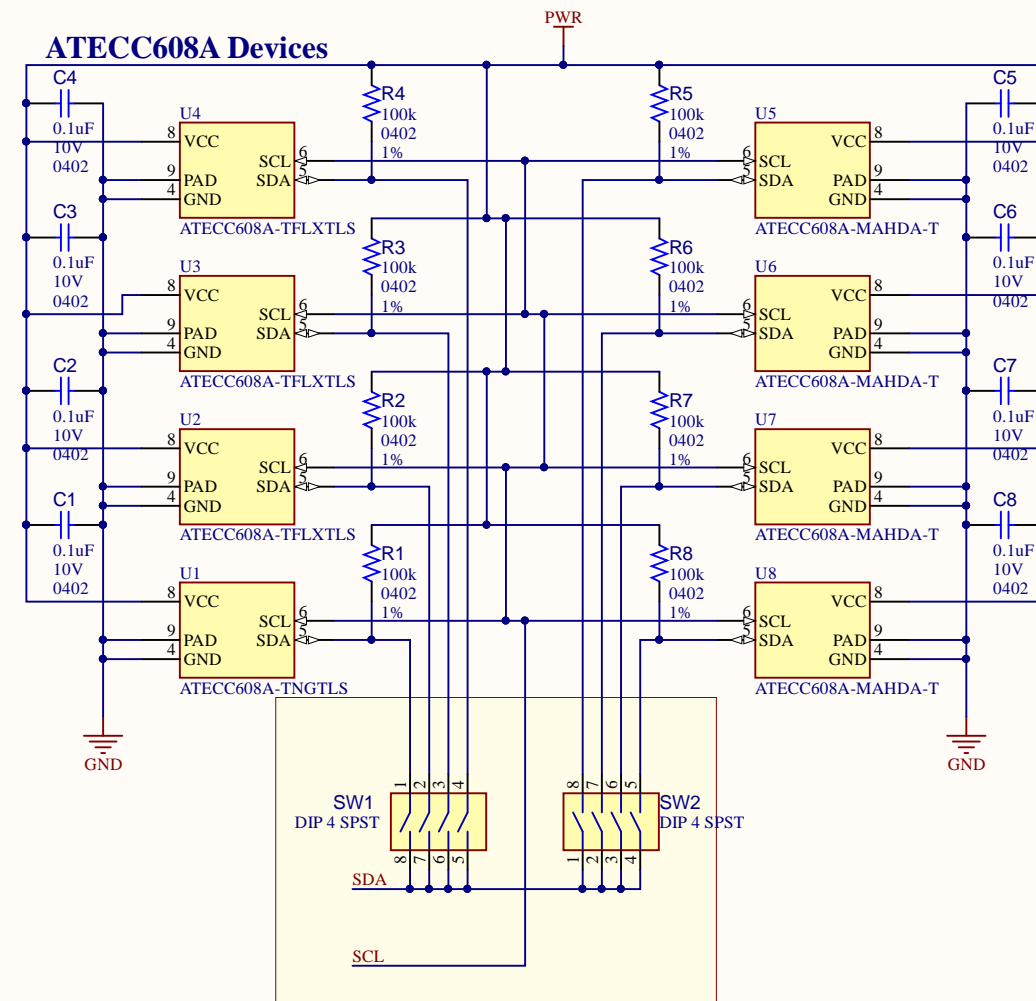
mikroBUS INTERFACE CONNECTORS



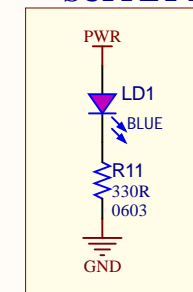
Power Option Select (3.3V Default)



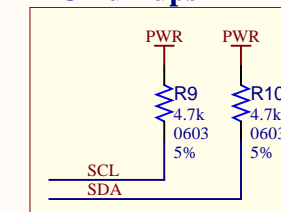
ATECC608A Devices



SUPPLY INDICATOR



I2C Pull-ups



Due to size constraints the label will be placed on the ESD Bag and not on the board.

LABEL1

02-	-R1
JIT	

 LABEL Need Help Small

Drawn By: J. Boomer		
Engineer: J. Boomer		
PartNumber: DT100104	Project Title ATECC608A TRUST	
Sheet Title ATECC608A TRUST Mikrobus		
Revision:2	Sch #03-11017	Date: 8/19/2019 2:44:05 PM
File: ATECC608A-Mikrobus.SchDoc		Sheet 1 of 1
Designed with 		Altium.com