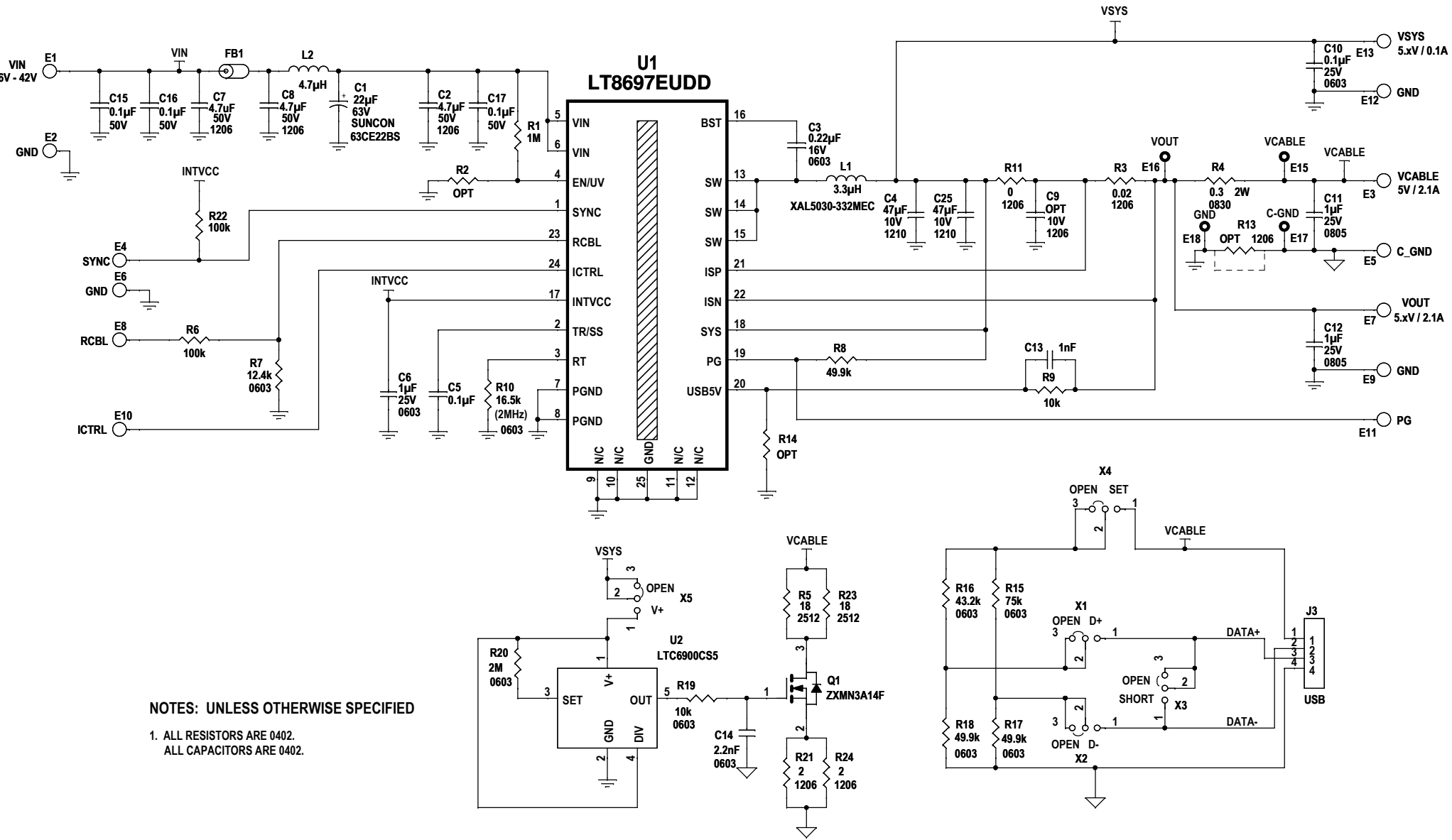


REVISION HISTORY				
ECO	REV	DESCRIPTION	APPROVED	DATE
-	4	PRODUCTION	WALKER B.	5-10-13



NOTES: UNLESS OTHERWISE SPECIFIED

- ALL RESISTORS ARE 0402.
- ALL CAPACITORS ARE 0402.

CUSTOMER NOTICE		APPROVALS		TITLE: SCHEMATIC	
<p>LINEAR TECHNOLOGY HAS MADE A BEST EFFORT TO DESIGN A CIRCUIT THAT MEETS CUSTOMER-SUPPLIED SPECIFICATIONS; HOWEVER, IT REMAINS THE CUSTOMER'S RESPONSIBILITY TO VERIFY PROPER AND RELIABLE OPERATION IN THE ACTUAL APPLICATION. COMPONENT SUBSTITUTION AND PRINTED CIRCUIT BOARD LAYOUT MAY SIGNIFICANTLY AFFECT CIRCUIT PERFORMANCE OR RELIABILITY. CONTACT LINEAR TECHNOLOGY APPLICATIONS ENGINEERING FOR ASSISTANCE.</p>		PCB DES.	JW	<p>1630 McCarthy Blvd. Milpitas, CA 95035 www.linear.com Phone: (408)432-1900 Fax: (408)434-0507 LTC CONFIDENTIAL - FOR CUSTOMER USE ONLY</p>	
<p>THIS CIRCUIT IS PROPRIETARY TO LINEAR TECHNOLOGY AND SUPPLIED FOR USE WITH LINEAR TECHNOLOGY PARTS.</p>		APP ENG.	WALKER B.	<p>USB 5V 2.5A OUTPUT, 42V INPUT SYNCHRONOUS BUCK WITH CABLE DROP COMPENSATION</p>	
		SCALE	NONE	SIZE	N/A
				IC NO.	LT8697EUDD
				DEMO CIRCUIT 1973A	
				REV.	4
				MODIFY DATE:	Friday, May 17, 2013
				SHEET	1 OF 1