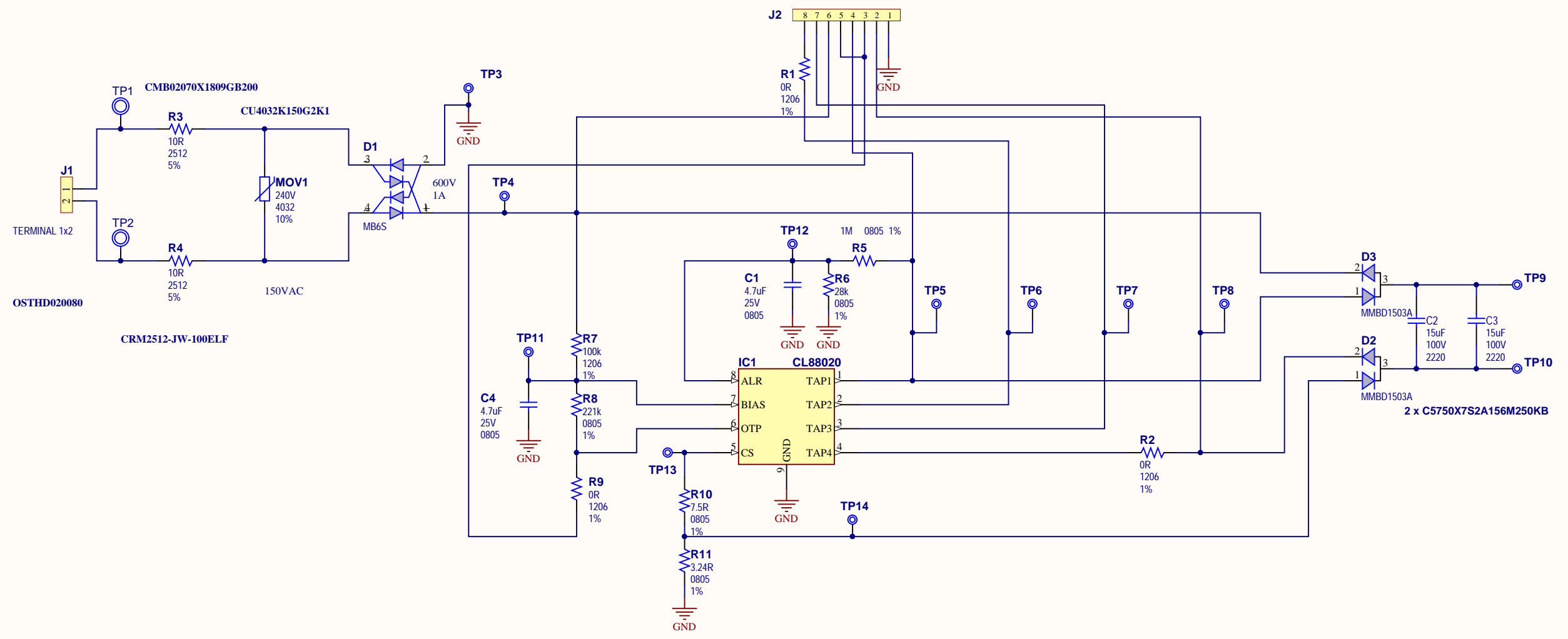


REV	ECO#	DESCRIPTION	DATE

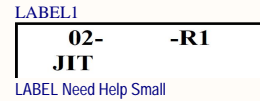


Drawn By: Sergiu Gheorghe	
Engineer: Sergiu Gheorghe	
PartNumber: ADM00766	Project Title CL88020 LED Driver Evaluation Board
Sheet Title CL88020 LED Driver Schematic	
Size B	Sch #03-10559 Date: 4/13/2017 5:03:44 PM
Revision:1	Sheet 1 of 2
File: D01-CL88020.SchDoc	

Designed with
Altium
Altium.com



Screw Nylon
SCREW Nylon #6-32 x 1/4"



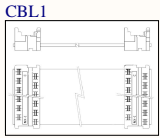
LABEL Need Help Small



STAND-OFF Nylon #6-32 x 3/8"



Heatsink



IDT to IDT

Drawn By: Sergiu Gheorghe		
Engineer: Sergiu Gheorghe		
PartNumber: ADM00766	Project Title CL88020 LED Driver Evaluation Board	
Sheet Title Mechanical Parts		
Size B	Sch #03-10559	Date: 4/13/2017 5:03:44 PM
	Revision:1	Sheet 2 of 2
File: D02-Mechanical.SchDoc		

