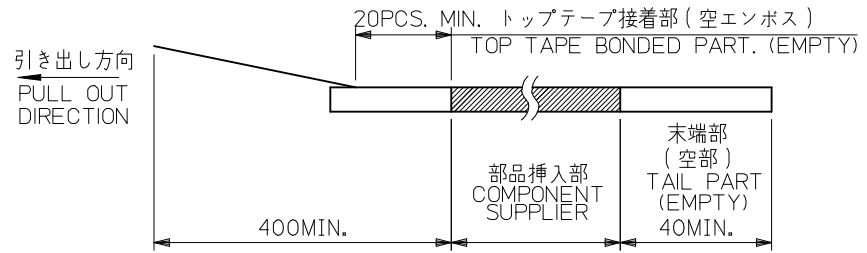


注記 NOTES

- 製品詳細寸法については製品単体図面を参照下さい。  
RE DETAILED DIMENSION, SEE PRODUCT DRAWING.
- 梱包数量：6000 個/リール  
NUMBER OF CONNECTORS：6000PCS/REEL
- リードテープ長さ LEAD TAPE LENGTH



- トップテープの剥離強度：JES-59 参照  
剥離方向は下図参照。

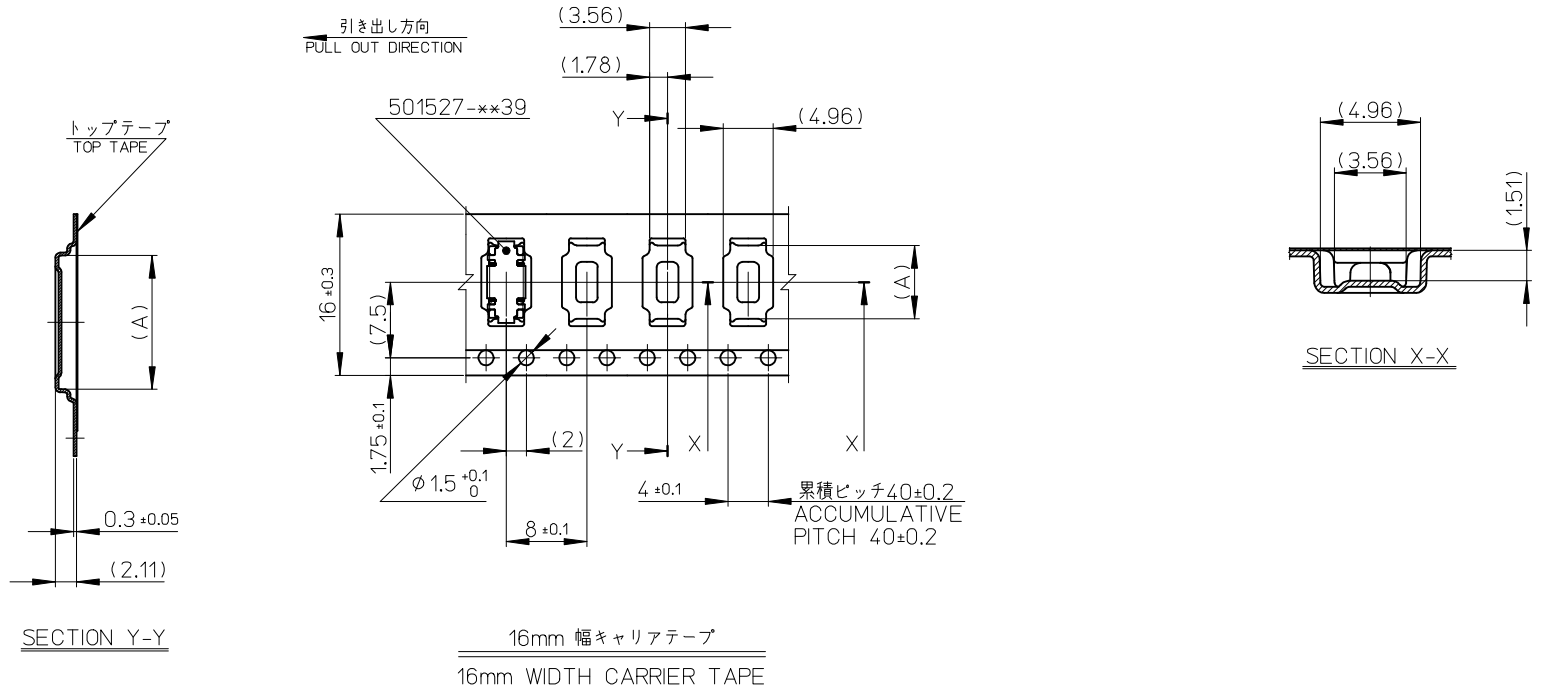
PEELING OFF STRENGTH OF TOP TAPE：REFER TO JES-59  
PEELING DIRECTION AS SHOWN IN FOLLOWING FIGURE.



- 材料 MATERIAL  
キャリアテープ (CARRIER TAPE)：ポリスチレン (POLYSTYRENE)  
トップテープ (TOP TAPE)：PET, PE, PEF  
リール (REEL)：ポリスチレン (PS) <リサイクル材を含む>  
POLYSTYRENE (PS) <RECYCLE MATERIAL CONTAINED>

MODEL NO. | 501527-\*\*\*30

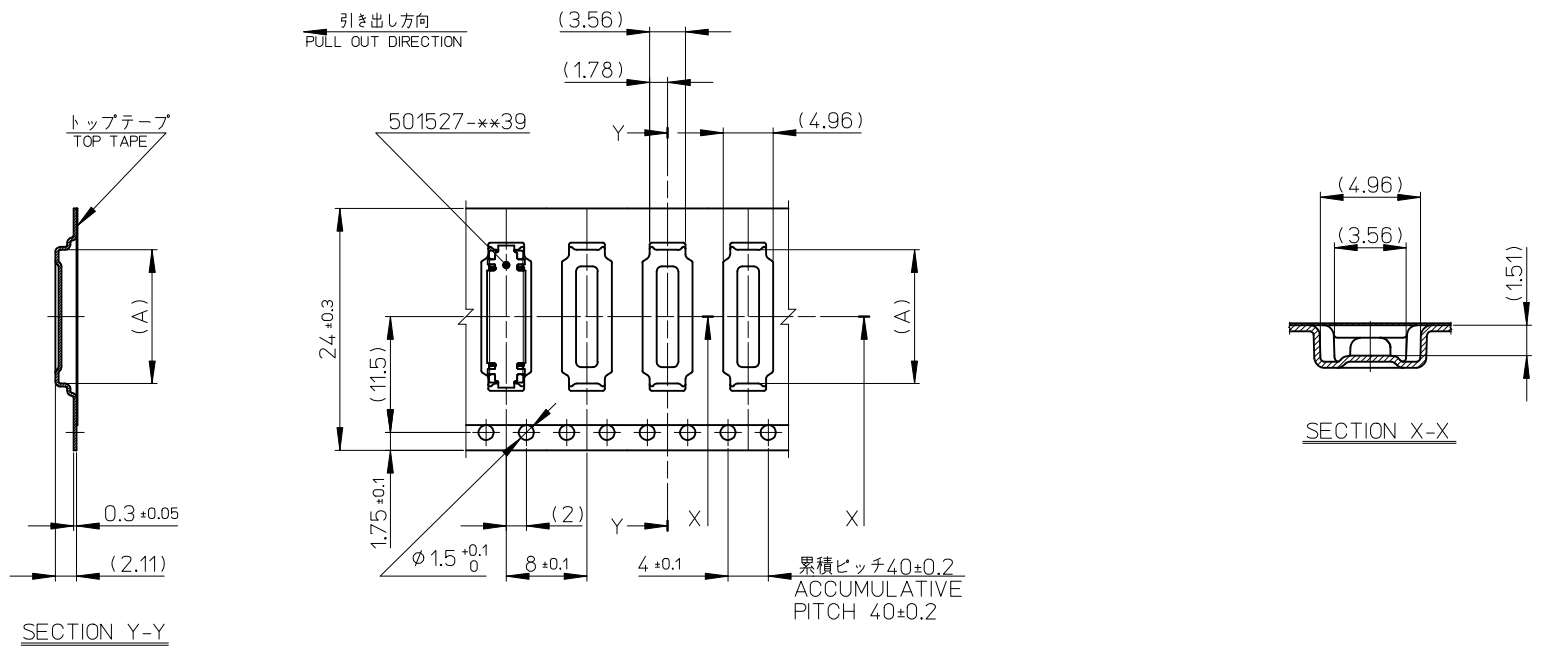
REVISED EC NO: J2016-1237 DRWN: MISHIKAWA 2016/06/09 CHKD: Y0110 2016/06/09 APPR: Y0110 2016/06/16	GENERAL TOLERANCES (UNLESS SPECIFIED)			DIMENSION STYLE MM ONLY		SCALE ---	DESIGN UNITS METRIC	THIRD ANGLE PROJECTION	
	0.25 UNDER	UNDER	±0.03	DRAWN BY	DATE	TITLE			
	0.25 OVER	0.5 UNDER	±0.05	RTAKEUCHI	2005/10/26	0.4 B-TO-B CONN. HGT=1.3 REC ASSY WITH COVER EMBSTP PKG -LEAD FREE-			
	0.5 OVER	1.0 UNDER	±0.1	CHECKED BY	DATE				
	1.0 OVER	10 UNDER	±---	THIRATA	2005/10/26	molex DOCUMENT NO. SD-501527-002 SHEET NO. 1 OF 3			
10 OVER	30 UNDER	±---	APPROVED BY	DATE					
30 OVER		±---	MSASAO	2005/10/26					
ANGULAR	±---		MATERIAL NO.						
DRAFT WHERE APPLICABLE MUST REMAIN WITHIN DIMENSIONS				SIZE A3		THIS DRAWING CONTAINS INFORMATION THAT IS PROPRIETARY TO MOLEX ELECTRONIC TECHNOLOGIES, LLC AND SHOULD NOT BE USED WITHOUT WRITTEN PERMISSION			



16mm 幅キャリアテープ  
16mm WIDTH CARRIER TAPE

16	17.5	7.26	501527-0230	20
キャリアテープ幅 CARRIER TAPE WIDTH	B	(A)	MATERIAL No.	CKT.
			MODEL No.	501527-**-30

REVISED EC NO: J2016-1237 DRWN: MISHIKAWA 2016/06/09 CHKD: Y01TO 2016/06/09 APPR: Y01TO 2016/06/16	GENERAL TOLERANCES (UNLESS SPECIFIED)			DIMENSION STYLE MM ONLY		SCALE ---	DESIGN UNITS METRIC	THIRD ANGLE PROJECTION
	0.25 UNDER	UNDER	±0.03	DRAWN BY	DATE	TITLE		
	0.25 OVER	0.5 UNDER	±0.05	RTAKEUCHI	2005/10/26	0.4 B-TO-B CONN. HGT=1.3 REC ASSY WITH COVER EMBSTP PKG -LEAD FREE-		
	0.5 OVER	1.0 UNDER	±0.1	THIRATA	2005/10/26			
	1.0 OVER	10 UNDER	±---	APPROVED BY	DATE	<b>molex</b> DOCUMENT NO. SD-501527-002 SHEET NO. 2 OF 3		
10 OVER	30 UNDER	±---	MSASAO	2005/10/26				
30 OVER		±---	MATERIAL NO.					
ANGULAR	±---	°	SEE CHART					
DRAFT WHERE APPLICABLE MUST REMAIN WITHIN DIMENSIONS			SIZE A3	THIS DRAWING CONTAINS INFORMATION THAT IS PROPRIETARY TO MOLEX ELECTRONIC TECHNOLOGIES, LLC AND SHOULD NOT BE USED WITHOUT WRITTEN PERMISSION				



24mm 幅キャリアテープ  
24mm WIDTH CARRIER TAPE

24	25.5	13.26	501527-0530	50	
		11.26	501527-0430	40	
		9.66	501527-3230	32	
		9.26	501527-0330	30	
キャリアテープ幅 CARRIER TAPE WIDTH		B	(A)	MATERIAL No.	CKT.
			MODEL No.	501527-**-30	

REVISED EC NO: J2016-1237 DRWN: MISHIKAWA CHKD: Y0110 APPR: Y0110	2016/06/09 2016/06/09 2016/06/16	GENERAL TOLERANCES (UNLESS SPECIFIED)			DIMENSION STYLE		SCALE	DESIGN UNITS	THIRD ANGLE PROJECTION	
		0.25 UNDER UNDER ± 0.03			MM ONLY		---	METRIC	⊙ □	
		0.25 OVER 0.5 UNDER ± 0.05			DRAWN BY DATE		TITLE			
		0.5 OVER 1.0 UNDER ± 0.1			RTAKEUCHI 2005/10/26		0.4 B-TO-B CONN. HGT=1.3 REC ASSY WITH COVER EMBSTP PKG -LEAD FREE-			
		1.0 OVER 10 UNDER ± ---			CHECKED BY DATE		<b>molex</b> DOCUMENT NO. SD-501527-002 SHEET NO. 3 OF 3			
		10 OVER 30 UNDER ± ---			THIRATA 2005/10/26					
30 OVER ± ---			APPROVED BY DATE		MATERIAL NO.		SEE CHART			
ANGULAR ± --- °			MSASAO 2005/10/26		SIZE		THIS DRAWING CONTAINS INFORMATION THAT IS PROPRIETARY TO MOLEX ELECTRONIC TECHNOLOGIES, LLC AND SHOULD NOT BE USED WITHOUT WRITTEN PERMISSION			
DRAFT WHERE APPLICABLE MUST REMAIN WITHIN DIMENSIONS					A3					