
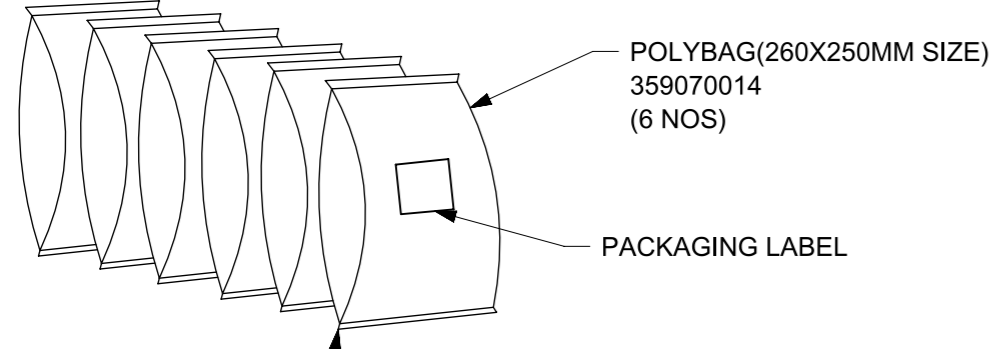
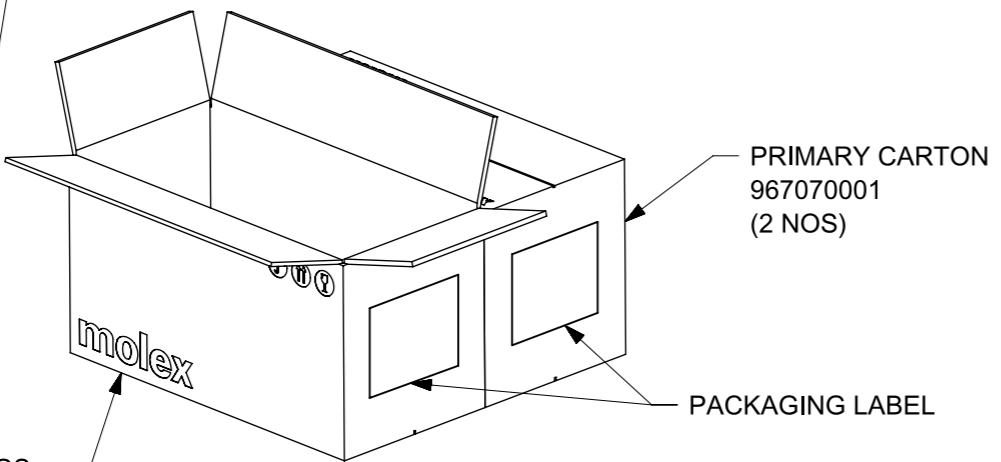


PART NUMBER	PCB THICKNESS	CKT SIZE	HOUSING QUANTITY PER POLYBAG	POLYBAGS PER PRIMARY CARTON BOX	TOTAL HOUSING QUANTITY PER PRIMARY CARTON BOX	TOTAL PRIMARY CARTONS PER MASTER CARTON BOX	TOTAL HOUSING QUANTITY PER MASTER CARTON BOX
2008900102	1.6MM PCB	2	500	6	3,000		6,000
2008900104		4	400		2,400		4,800
2008900106		6	300		1,800		3,600
2008900108		8	200		1,200		2,400

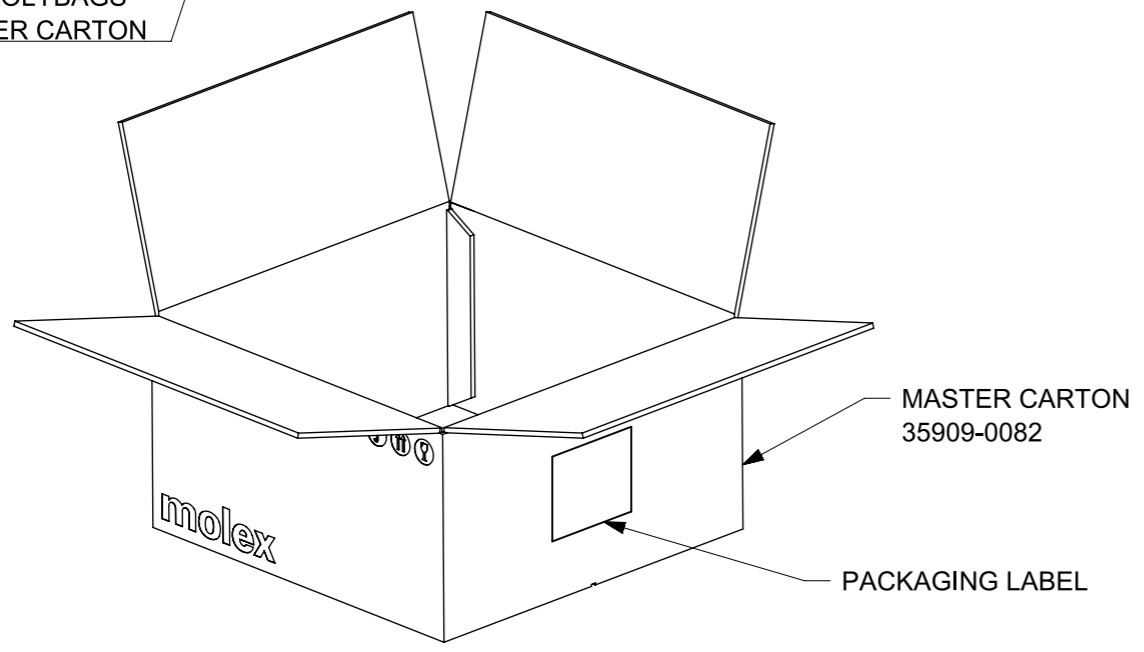
SILICA GEL BAG  
SEE NOTE 4


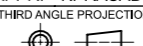
6 POLYBAGS  
CONSISTING OF PRODUCT  
INTO 1 PRIMARY BOX



2 PRIMARY BOXES  
CONSISTING OF 6 POLYBAGS  
EACH INTO 1 MASTER CARTON



- NOTES:
1. NO EMPTY SPACE ALLOWED IN THE BOX.
  2. PRODUCT LABEL AND SHIPPING LABEL TO BE ATTACHED AT THE LOCATIONS SHOWN( REF ES-40000-7012)
  3. PACKAGING MUST CONFORM TO MOLEX "GENERAL TESTS FOR SHIPPING UNITS" STANDARD ES-40000-7001
  4. PART TO BE SHIPPED WITH SILICA DESICCANT GEL BAG

FUNCTIONAL SYMBOLS										THIS DRAWING CONTAINS INFORMATION THAT IS PROPRIETARY TO MOLEX ELECTRONIC TECHNOLOGIES, LLC AND SHOULD NOT BE USED WITHOUT WRITTEN PERMISSION											
DIMENSION UNITS		SCALE		CURRENT REV DESC: OBSOLETE PART NUMBERS AS PER PCN#509988																	
mm		1:1																			
GENERAL TOLERANCES (UNLESS SPECIFIED)										EC NO: 704776											
ANGULAR TOL ± °										DRWN: SKANDB 2022/03/31											
4 PLACES ±										CHK'D: GGA 2022/05/24											
3 PLACES ±										APPR: GGA 2022/05/24											
2 PLACES ±										INITIAL REVISION:											
1 PLACE ±										DRWN: BR02 2016/03/22											
0 PLACES ±										APPR: KPRASAD 2016/07/27											
DIVISIONAL SYMBOLS										THIRD ANGLE PROJECTION		DRAWING		SERIES		MATERIAL NUMBER		CUSTOMER		SHEET NUMBER	
												A3-SIZE		200890		SEE TABLE		1 OF 1			