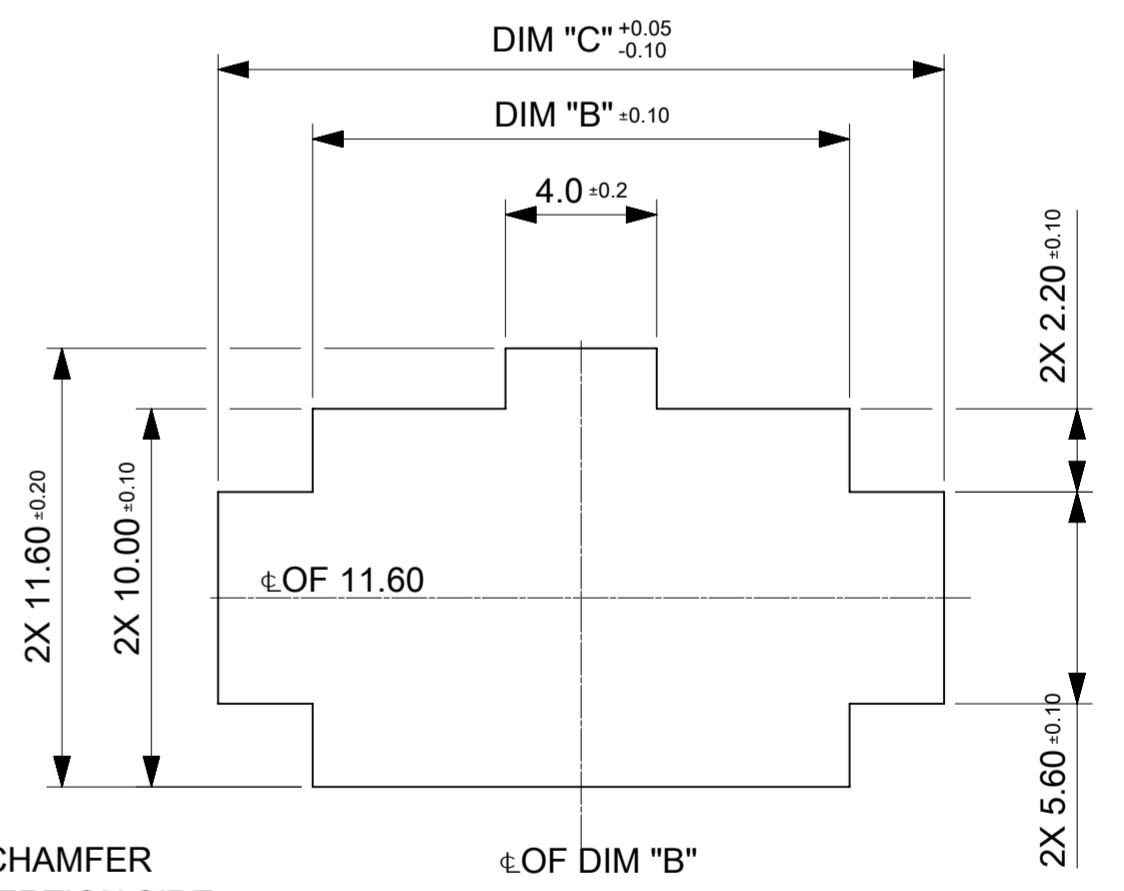
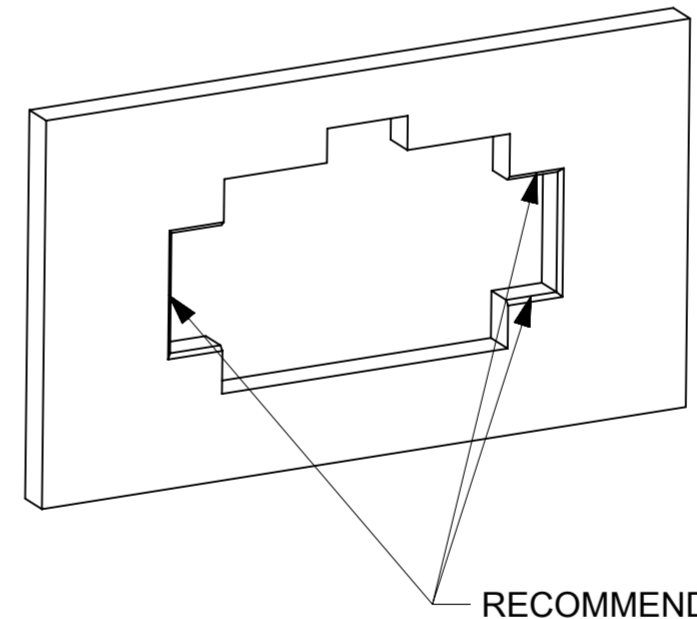
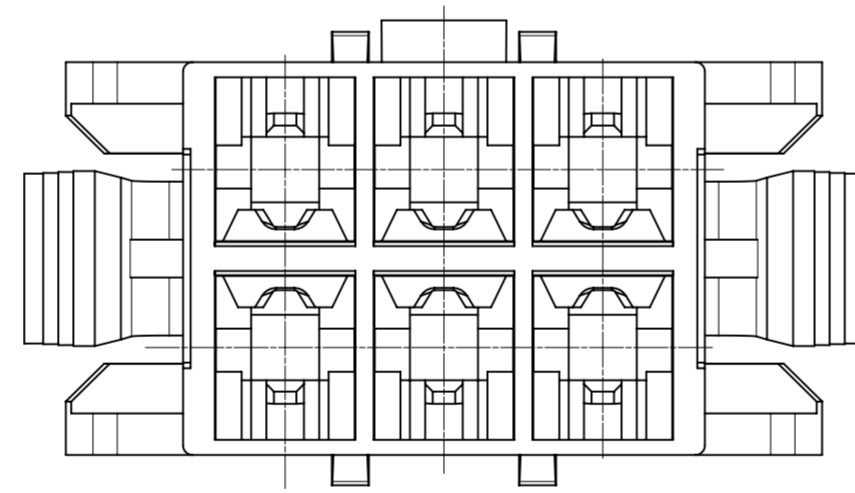
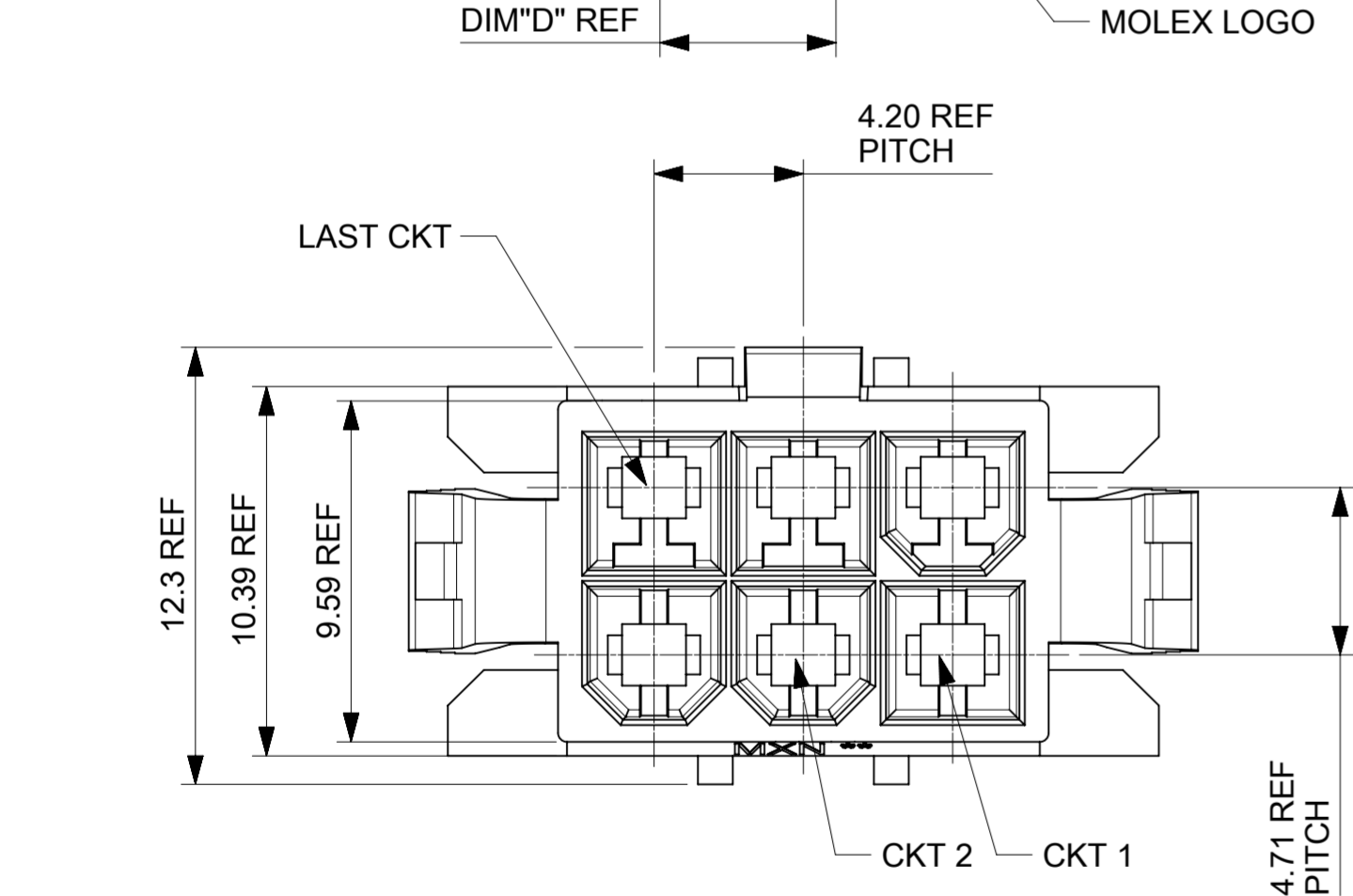
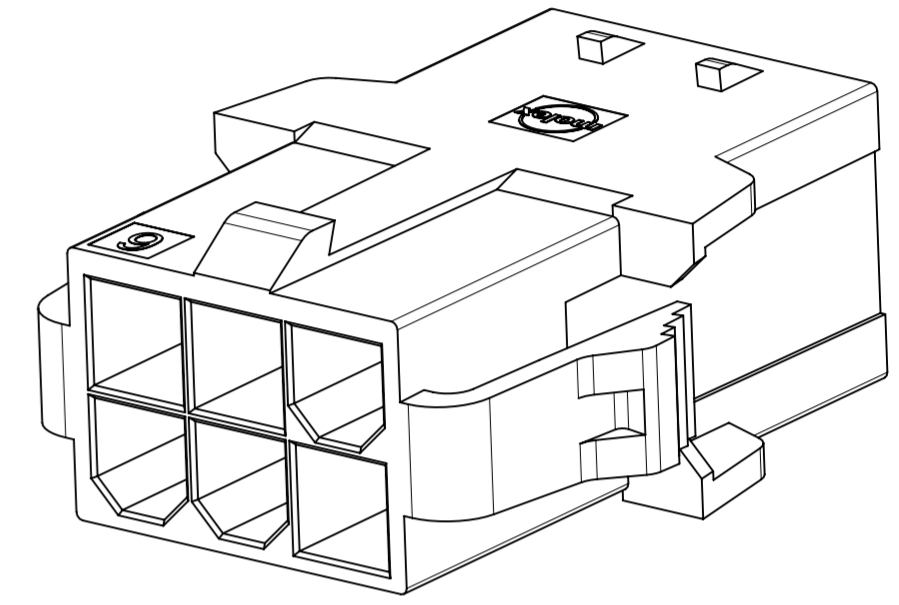


PLUG P/N	CKT	DIM "A"	DIM "B"	DIM "C"	DIM "D"
1727673002	2	5.40	5.80	10.80	4.95
1727673004	4	9.60	10.00	15.00	4.95
1727673006	6	13.80	14.20	19.20	4.95
1727673008	8	18.00	18.40	23.40	4.95
1727673010	10	22.20	22.60	27.60	12.95
1727673012	12	26.40	26.80	31.80	12.95
1727673014	14	30.60	31.00	36.00	12.95
1727673016	16	34.80	35.20	40.20	12.95
1727673018	18	39.00	39.40	44.40	20.95

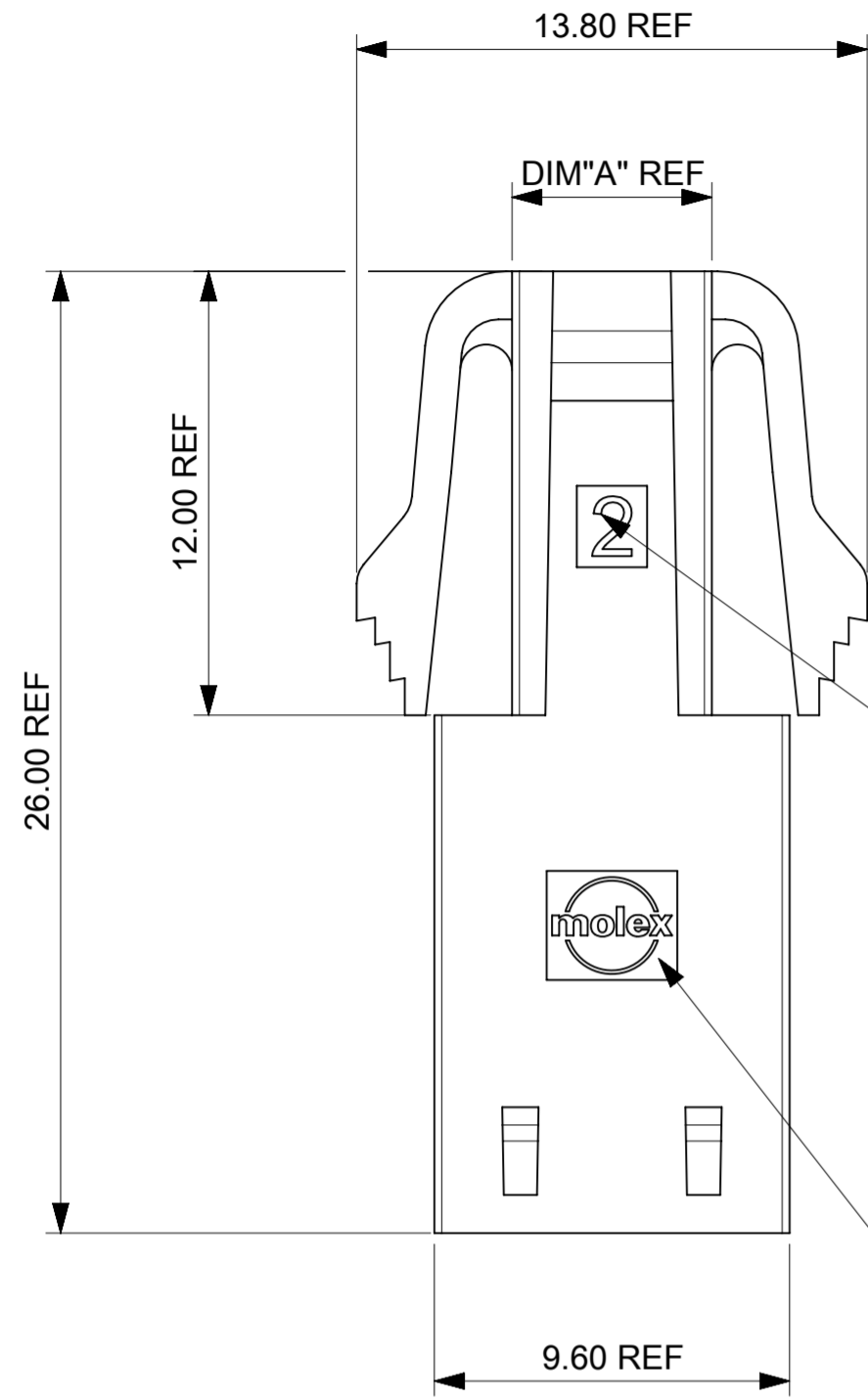


- NOTES:
- MATERIAL: NYLON, UL 94V-0 AND GLOW WIRE CAPABLE PER IEC60335-1; COLOR: BLACK
 - FINISH: NONE
 - PRODUCT SPECIFICATION: 2131370000-PS/2029880002-PS
APPLICATION SPECIFICATION: 2131370000-AS
 - PACKAGING SPECIFICATION: 172762-0001-PK
REFER TO AS-45499-001 FOR MOISTURIZING NYLON CONNECTOR PARTS.
 - THIS PART TO BE USED WITH FEMALE TERMINAL SERIES 172765, 203070 AND TPA SERIES 172709-2***.
 - THIS PART MATES WITH SERIES 172708-1***
 - THIS PART CONFORMS TO CLASS 'B' REQUIREMENTS OF COSMETIC SPECIFICATION PS-45499-002.
 - SEE DRAWING 1727090002-SD FOR OTHER TPA INFORMATION.
 - SEE DRAWING 1727080002-SD FOR OTHER RECEPTACLE INFORMATION.
 - SEE DRAWINGS SD-172718-0000 AND 2029880001-PSD FOR OTHER CRIMP TERMINAL INFORMATION.

RECOMMENDED PANEL CUT-OUT DIMENSIONS
PANEL THICKNESS 0.80-2.00MM

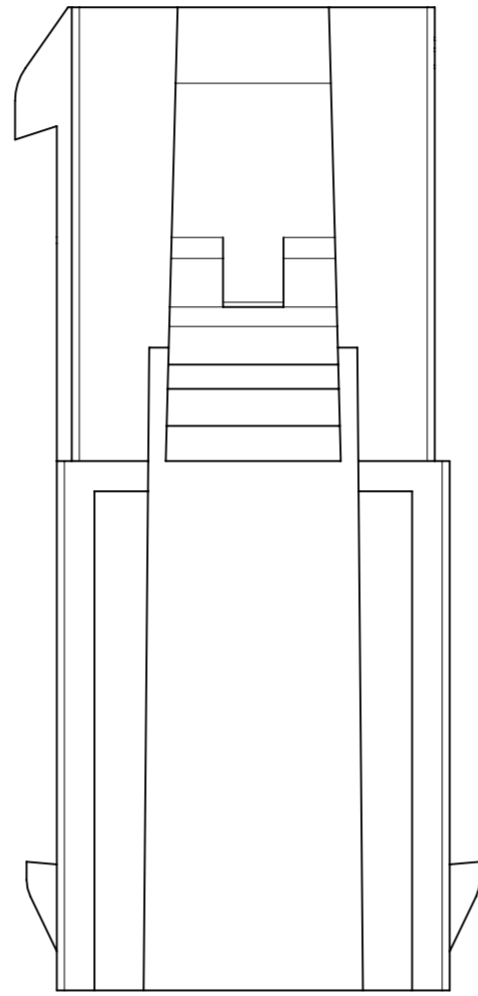
THIS DRAWING CONTAINS INFORMATION THAT IS PROPRIETARY TO MOLEX ELECTRONIC TECHNOLOGIES, LLC AND SHOULD NOT BE USED WITHOUT WRITTEN PERMISSION

DIMENSION UNITS	SCALE	CURRENT REV DESC:		molex		
mm	NTS					
GENERAL TOLERANCES (UNLESS SPECIFIED)				SD-DRAWING OF MINI-FIT SIGMA DR PLUG		
ANGULAR TOL	±	°		PRODUCT CUSTOMER DRAWING		
4 PLACES	±			DOCUMENT NUMBER		
3 PLACES	±			1727670002-SD		
2 PLACES	±	0.25		DOC TYPE	DOC PART	REVISION
1 PLACE	±	0.36		PSD	000	A6
0 PLACES	±			SHEET NUMBER		
DRAFT WHERE APPLICABLE MUST REMAIN WITHIN DIMENSIONS		THIRD ANGLE PROJECTION	DRAWING	SERIES	MATERIAL NUMBER	CUSTOMER
			A2-SIZE	172767	SEE TABLE	GENERAL MARKET



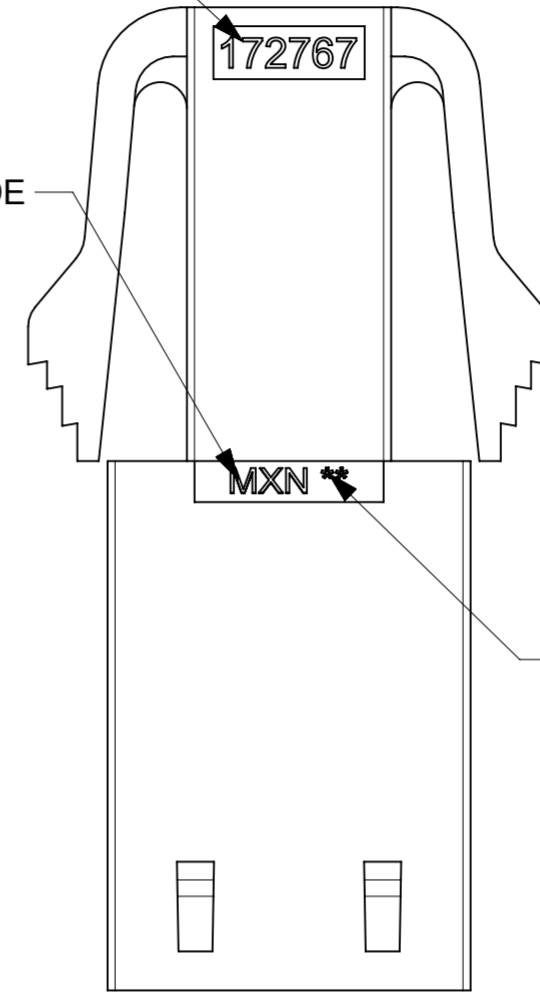
LAST CKT CODE

MOLEX LOGO

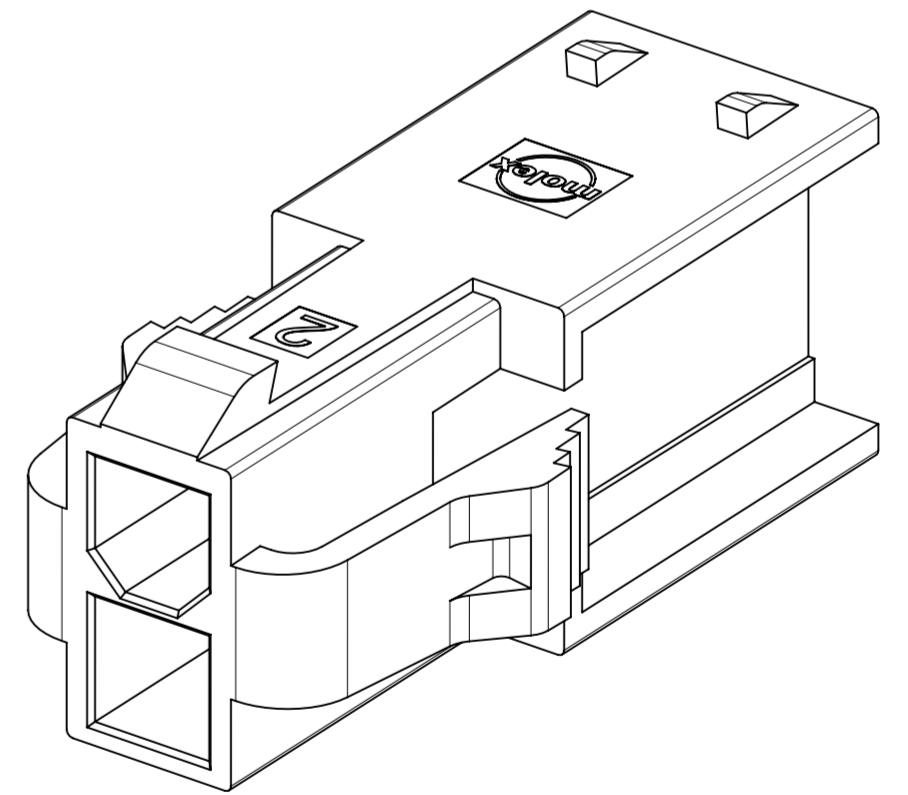
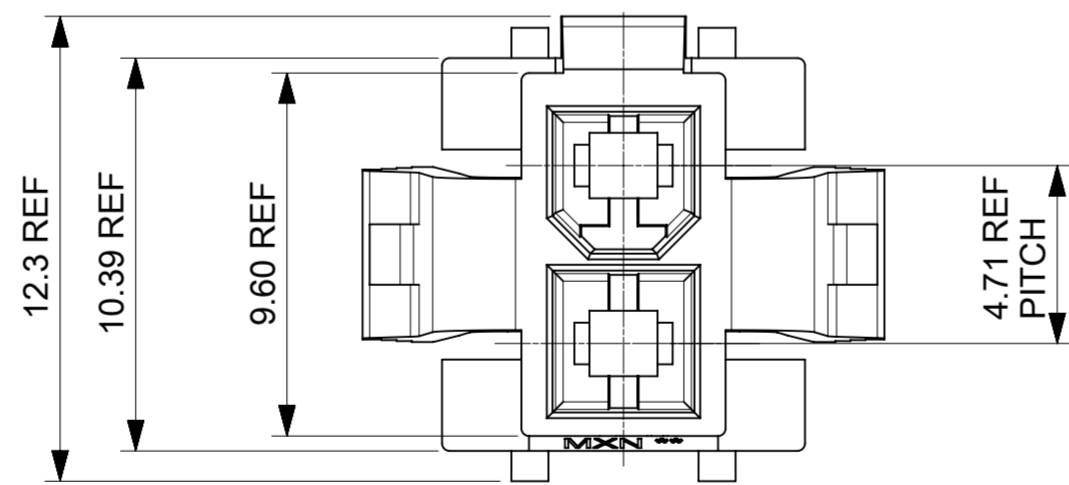
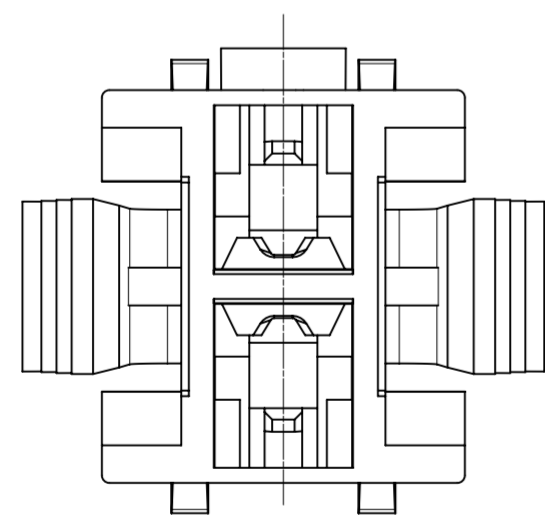


PLUG SERIES

MOLEX PLANT CODE

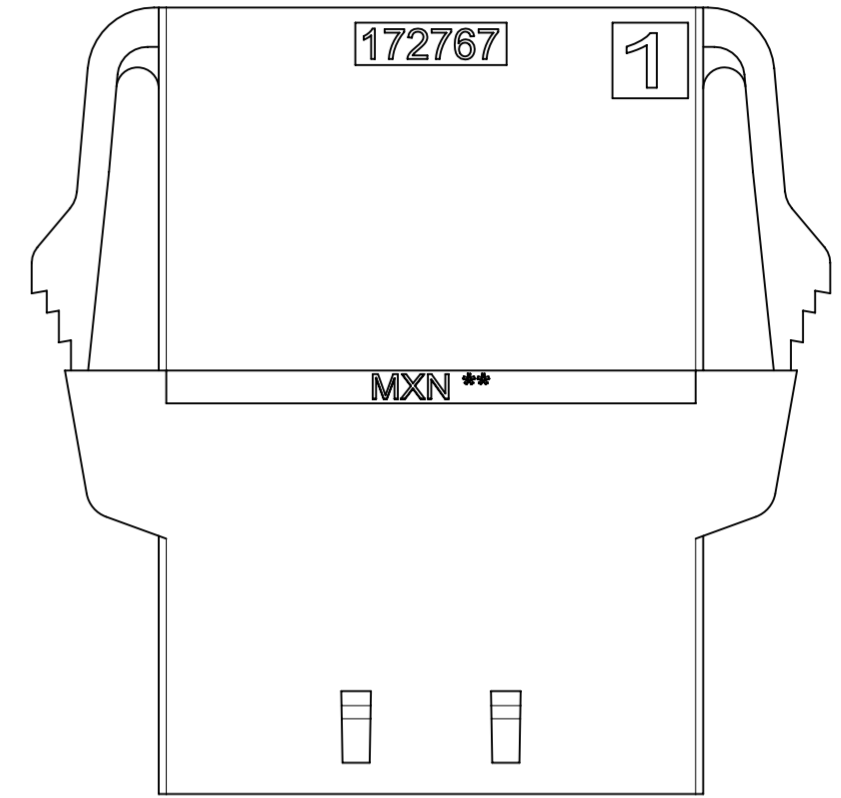
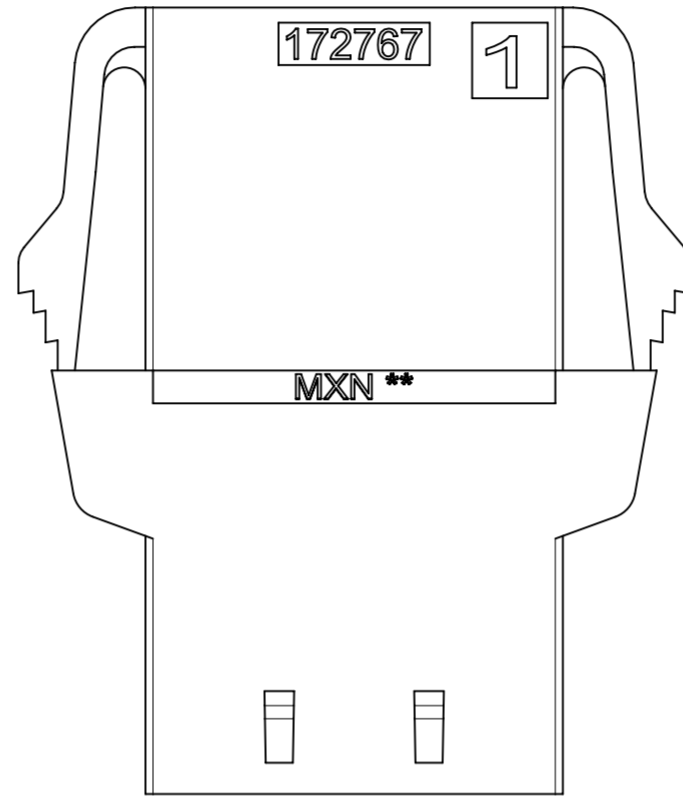
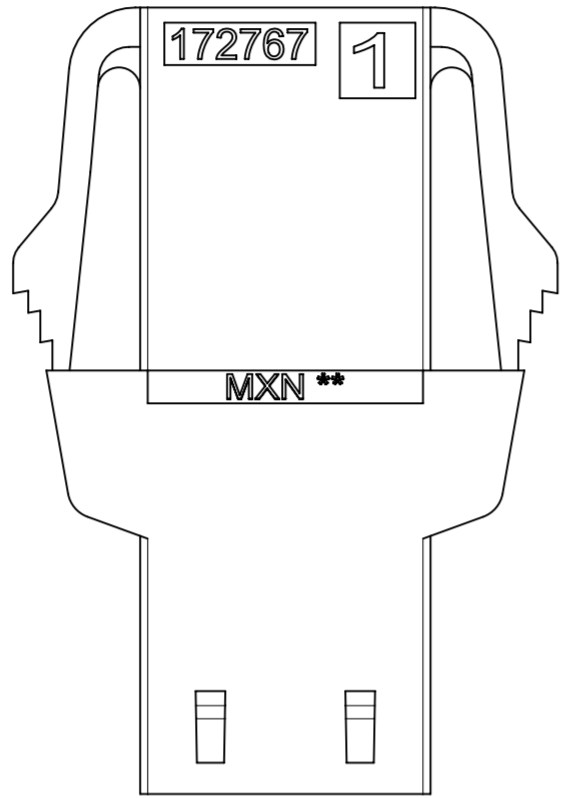
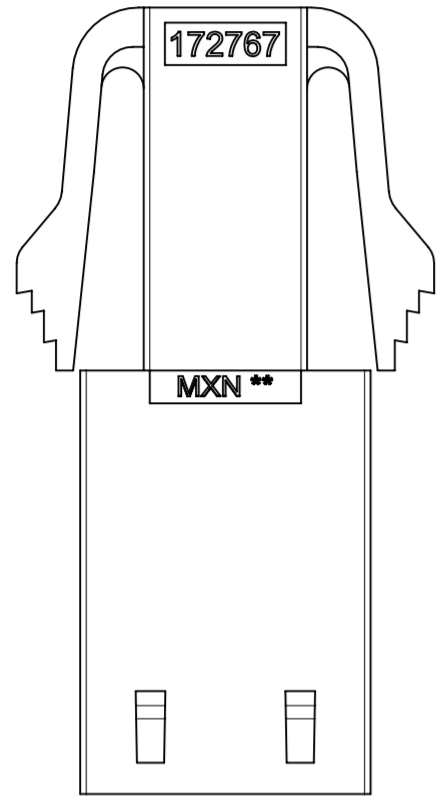
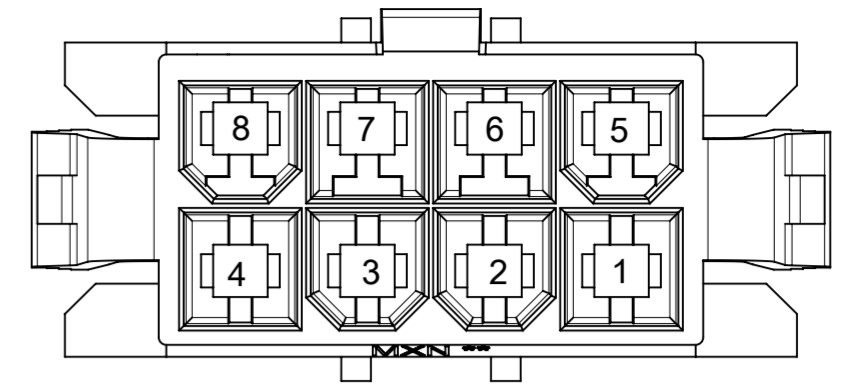
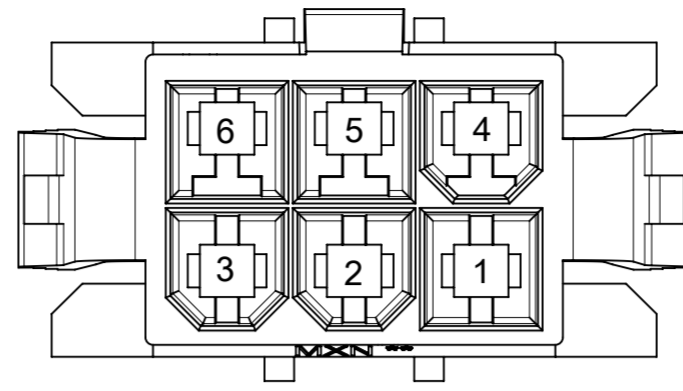
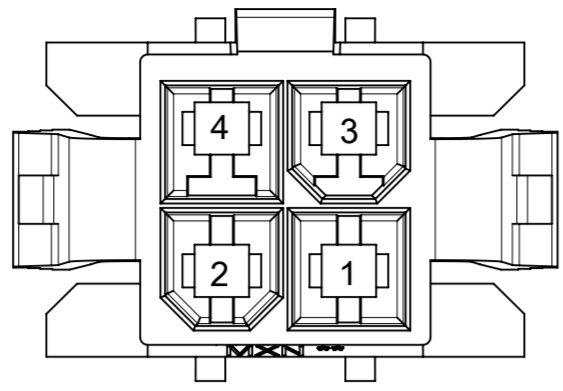
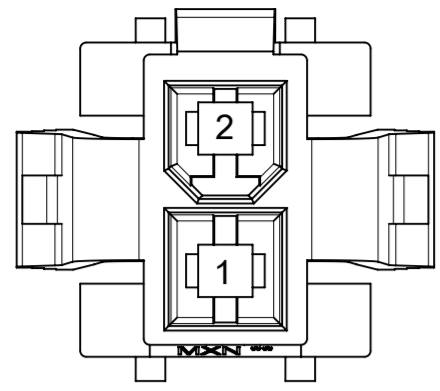


CAVITY CODE



THIS DRAWING CONTAINS INFORMATION THAT IS PROPRIETARY TO MOLEX ELECTRONIC TECHNOLOGIES, LLC AND SHOULD NOT BE USED WITHOUT WRITTEN PERMISSION

DIMENSION UNITS	SCALE	CURRENT REV DESC:				molex				
mm	NTS									
GENERAL TOLERANCES (UNLESS SPECIFIED)						SD-DRAWING OF MINI-FIT SIGMA DR PLUG				
ANGULAR TOL	± °					PRODUCT CUSTOMER DRAWING				
4 PLACES	±	EC NO: 735375		2023/01/06		DOCUMENT NUMBER		DOC TYPE	DOC PART	REVISION
3 PLACES	±	DRWN: JERRYW8		2023/02/01		1727670002-SD		PSD	000	A6
2 PLACES	± 0.25	CHK'D: XQZHANG		2023/02/01						
1 PLACE	± 0.36	APPR: XQZHANG		2023/02/01						
0 PLACES	±	INITIAL REVISION:								
DRAFT WHERE APPLICABLE MUST REMAIN WITHIN DIMENSIONS		DRWN: ALUO02		2019/09/24		MATERIAL NUMBER		CUSTOMER		SHEET NUMBER
		APPR: YXZHENG		2019/10/11		SEE TABLE		GENERAL MARKET		2 OF 4
		THIRD ANGLE PROJECTION		DRAWING		SERIES				
		A2-SIZE		172767						

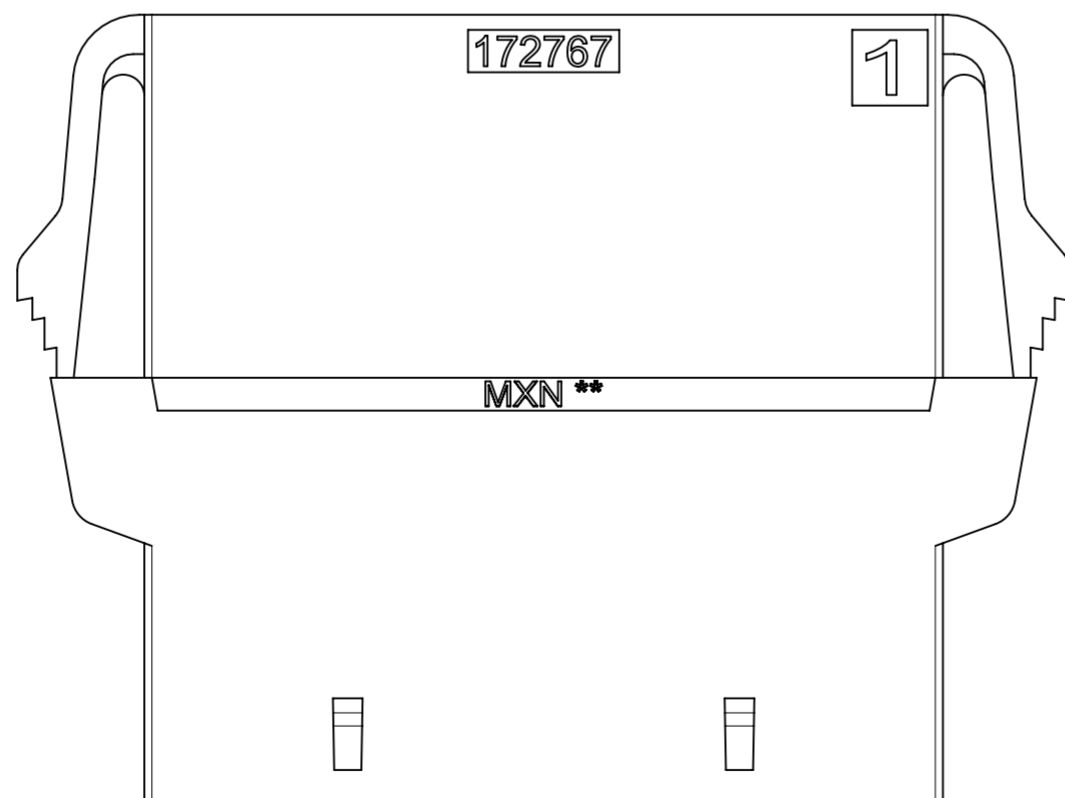
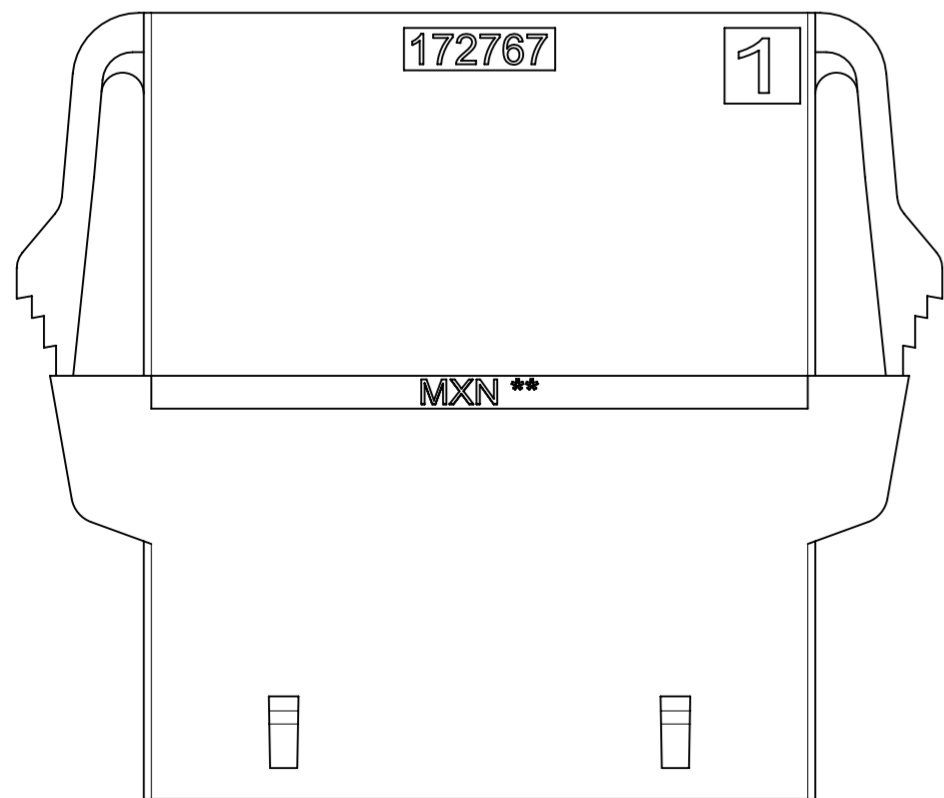
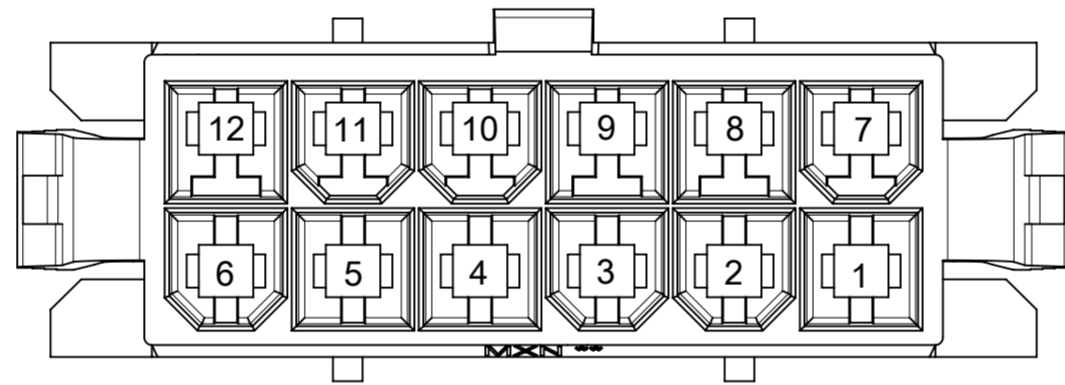
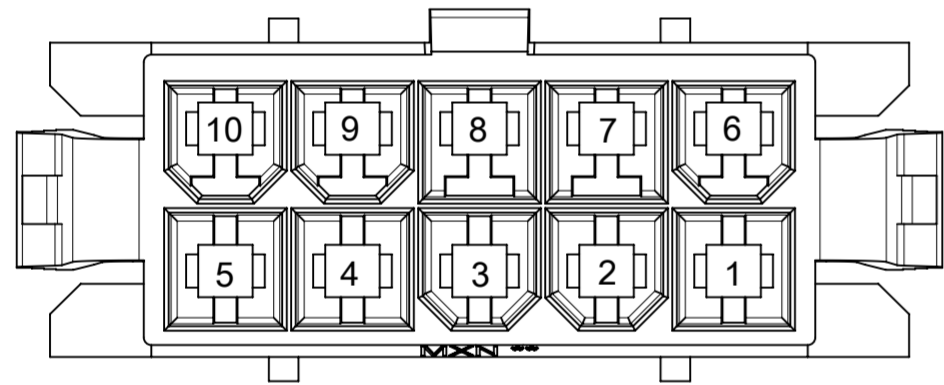


2-CKT

4-CKT

6-CKT

8-CKT

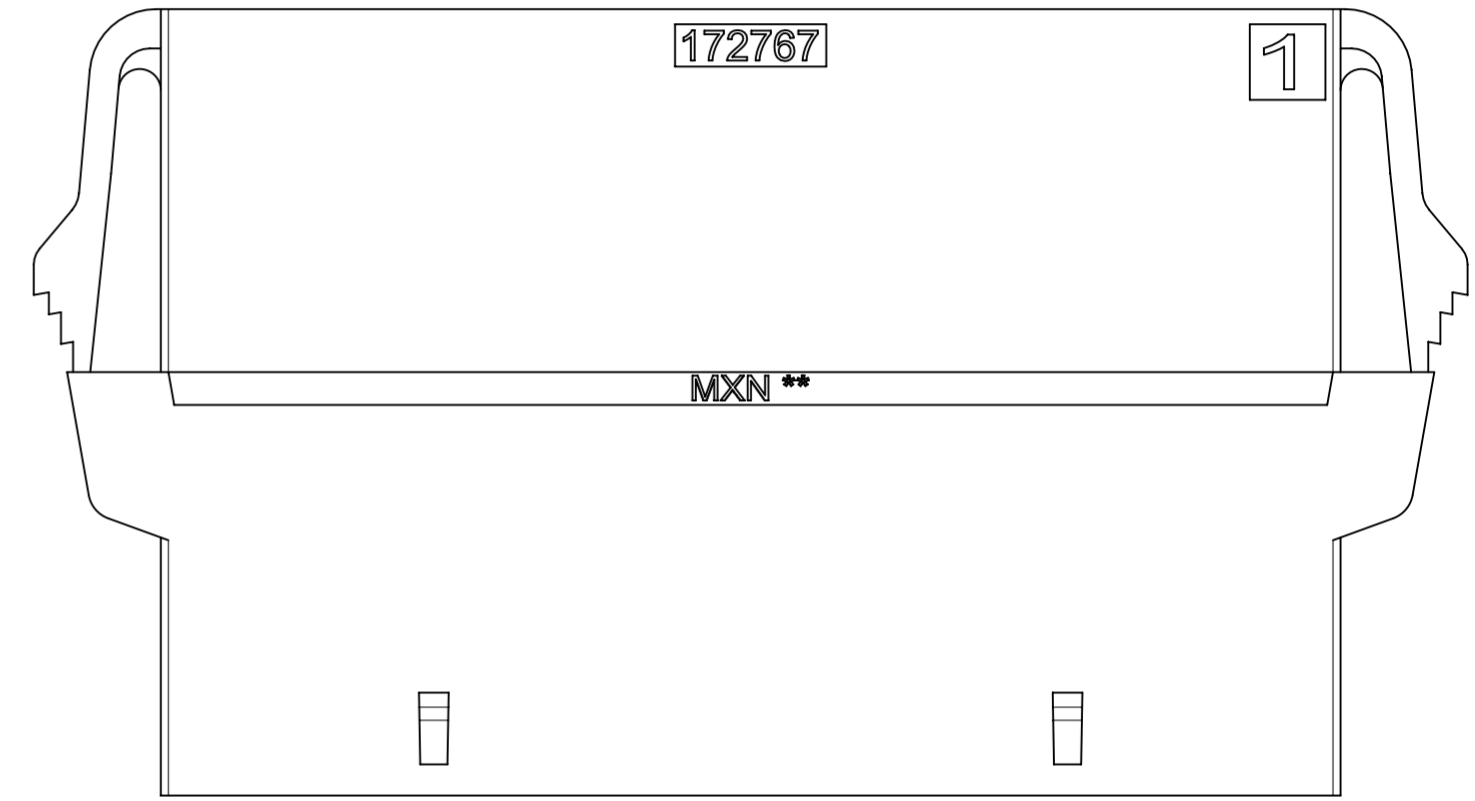
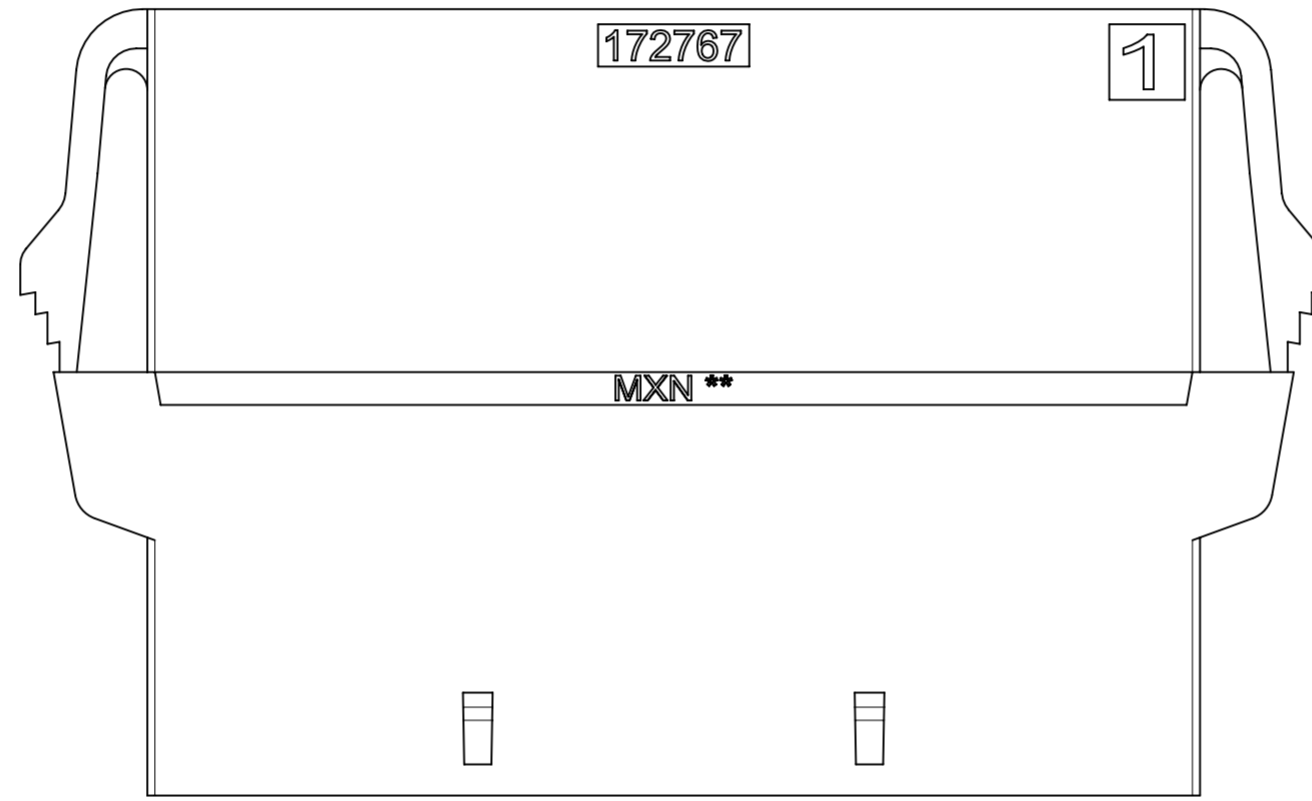
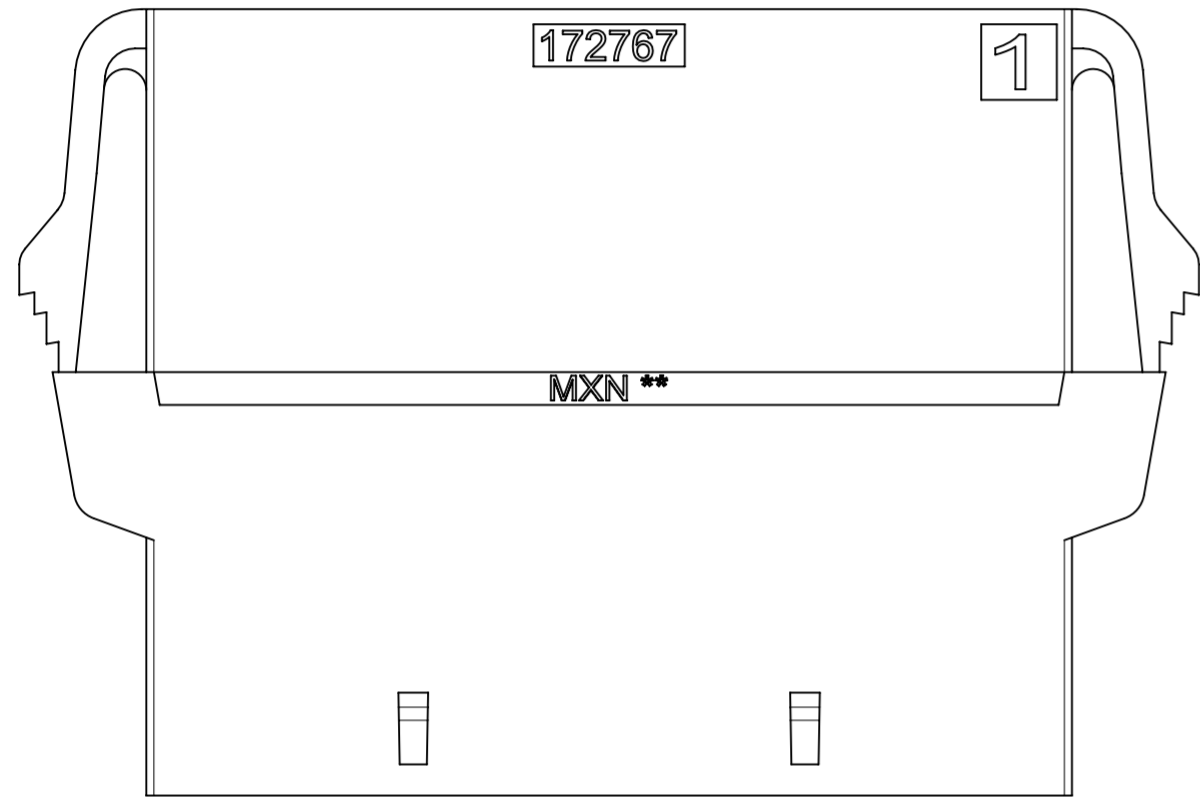
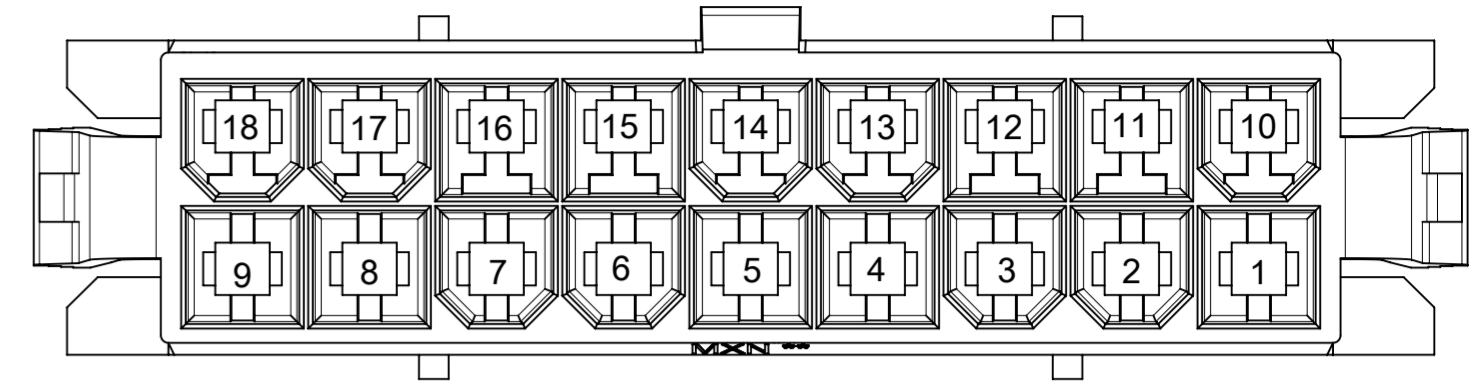
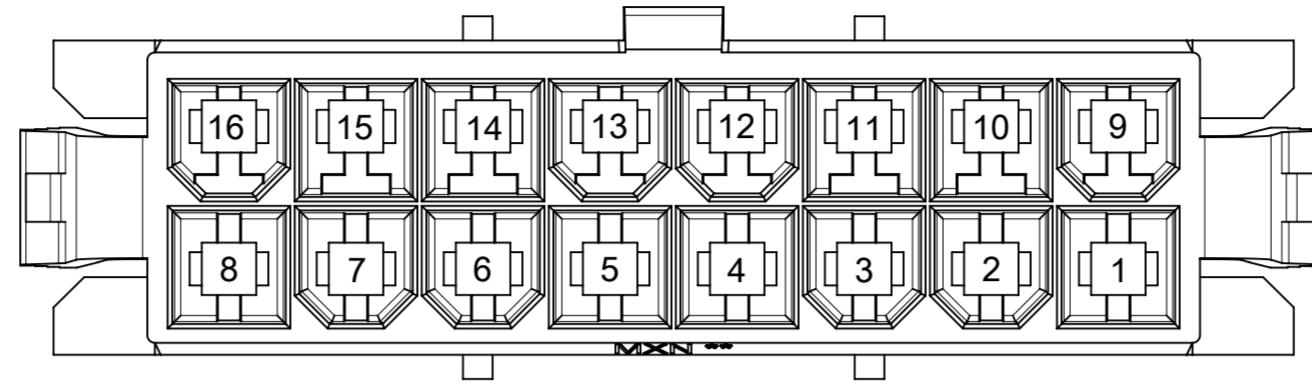
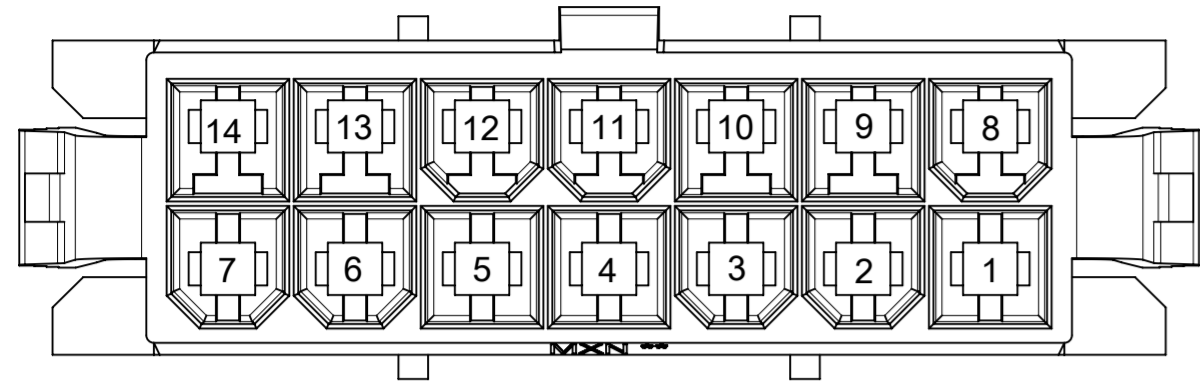


10-CKT

12-CKT

THIS DRAWING CONTAINS INFORMATION THAT IS PROPRIETARY TO MOLEX ELECTRONIC TECHNOLOGIES, LLC AND SHOULD NOT BE USED WITHOUT WRITTEN PERMISSION

DIMENSION UNITS	SCALE	CURRENT REV DESC:		molex		
mm	NTS					
GENERAL TOLERANCES (UNLESS SPECIFIED)				SD-DRAWING OF MINI-FIT SIGMA DR PLUG		
ANGULAR TOL	± °	EC NO: 735375		PRODUCT CUSTOMER DRAWING		
4 PLACES	±	DRWN: JERRYW8	2023/01/06	DOCUMENT NUMBER		
3 PLACES	±	CHK'D: XQZHANG	2023/02/01	1727670002-SD		
2 PLACES	± 0.25	APPR: XQZHANG	2023/02/01	DOC TYPE	DOC PART	REVISION
1 PLACE	± 0.36	INITIAL REVISION:		PSD	000	A6
0 PLACES	±	DRWN: ALUO02	2019/09/24	SHEET NUMBER		
DRAFT WHERE APPLICABLE MUST REMAIN WITHIN DIMENSIONS		APPR: YXZHENG	2019/10/11	MATERIAL NUMBER	CUSTOMER	
		THIRD ANGLE PROJECTION	DRAWING	SERIES	GENERAL MARKET	3 OF 4
			A2-SIZE	172767		



14-CKT

16-CKT

18-CKT

THIS DRAWING CONTAINS INFORMATION THAT IS PROPRIETARY TO MOLEX ELECTRONIC TECHNOLOGIES, LLC AND SHOULD NOT BE USED WITHOUT WRITTEN PERMISSION

DIMENSION UNITS	SCALE	CURRENT REV DESC:		molex			
mm	NTS						
GENERAL TOLERANCES (UNLESS SPECIFIED)				SD-DRAWING OF MINI-FIT SIGMA DR PLUG			
ANGULAR TOL	±	°					
4 PLACES	±	EC NO: 735375		PRODUCT CUSTOMER DRAWING			
3 PLACES	±	DRWN: JERRYW8 2023/01/06					
2 PLACES	±	CHK'D: XQZHANG 2023/02/01		DOCUMENT NUMBER			
1 PLACE	±	APPR: XQZHANG 2023/02/01					
0 PLACES	±	INITIAL REVISION:		1727670002-SD			
DRAFT WHERE APPLICABLE MUST REMAIN WITHIN DIMENSIONS		THIRD ANGLE PROJECTION					
				A2-SIZE		172767	
				SEE TABLE		GENERAL MARKET	
				MATERIAL NUMBER		CUSTOMER	
				SHEET NUMBER		4 OF 4	

molex

SD-DRAWING OF MINI-FIT SIGMA DR PLUG

PRODUCT CUSTOMER DRAWING

1727670002-SD

PSD 000 A6

GENERAL MARKET

4 OF 4

DOCUMENT STATUS	P1	RELEASE DATE	2023/02/01	07:45:19
-----------------	----	--------------	------------	----------