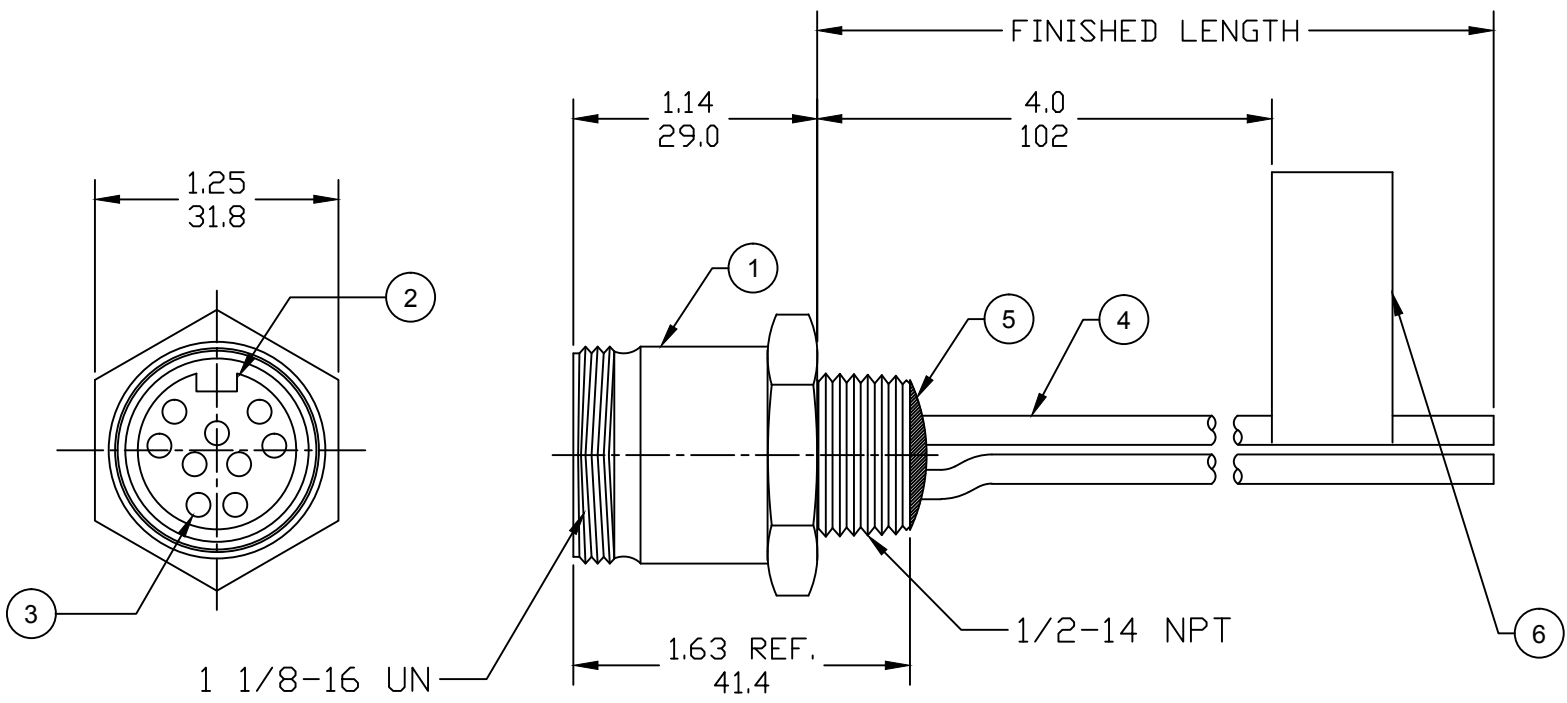


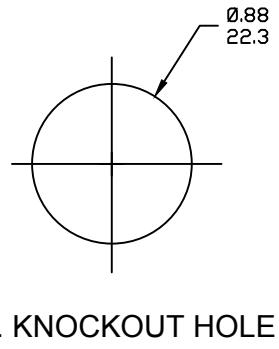
| FACE VIEW-FEMALE INSERT | | |
|--|---|--|
| | | |
| 1 ORANGE 2 BLUE 3 RED/BLACK 4 GREEN/BLACK 5 WHITE 6 RED 7 GREEN/YELLOW 8 WHITE/BLACK 9 BLACK | 1 ORANGE 2 BLUE 3 WHITE/BLACK 4 RED/BLACK 5 GREEN/BLACK 6 ORANGE/BLACK 7 RED 8 GREEN/YELLOW 9 BLACK 10 WHITE | 1 ORANGE 2 BLUE 3 WHITE/BLACK 4 RED/BLACK 5 GREEN/BLACK 6 ORANGE/BLACK 7 BLUE/BLACK 8 BLACK/WHITE 9 GREEN/YELLOW 10 RED 11 WHITE 12 BLACK |



(B1) CHART

| PART NO. | ENGINEERING NO. | FINISHED LENGTH |
|------------|-----------------|-----------------|
| 1300150117 | 3R9004A20A120 | 12IN |
| 1300150029 | 3R1004A20F020 | 2.0FT |
| 1300150070 | 3R2004A20M005 | 0.5M |

- NOTES:
- MATERIAL: AS NOTED
 - FINISH: AS NOTED
 - ELECTRICAL:
 - VOLTAGE: 320V PER IEC60664
600V PER UL2238
 - CURRENT: 9 POLE: 7A
10 POLE: 7A
12 POLE: 5A
 - TEMP RATING: -20°TO +105°C
 - PROTECTION: IP67 (WHEN MATED)
 - UL RECOGNIZED, FILE: E152210
 - DIMS ARE FOR REFERENCE UNLESS OTHERWISE NOTED



PART NUMBER LEGEND

3R1004A20F0101

- COUPLING: BLANK= STD (SEE BOM)
1= 303 STAINLESS ST.
- LENGTH:
 - A120= 12 INCHES
 - F001= .1 FT
 - F020= 2 FT
 - F200= 20 FT
- POLES:
 - 9= 9 POLES
 - 1=10 POLES
 - 2=12 POLES
- M005= 0.5 METER
- M010= 1 METER
- M100= 10 METER

(B1) CABLE LENGTH TOLERANCES

| | |
|--------------------------|-------------------------|
| >.3M [1FT]: | +19mm-0 [+1.75in-0] |
| .3 - .9M [1 - 3FT]: | +44.5mm-0 [+1.75in-0] |
| .9 - 1.8M [3 - 6FT]: | +55.6mm-0 [+2.19in-0] |
| 1.8 - 3.7M [6 - 12FT]: | +88.9mm-0 [+3.50in-0] |
| 3.7 - 7.3M [12 - 24FT]: | +165.1mm-0 [+6.50in-0] |
| 7.3-14.6M [24 - 48FT]: | +317.5mm-0 [+12.50in-0] |
| 14.6 - 30.5M [48-100FT]: | +622.3mm-0 [+24.50in-0] |
| OVER 30M [100FT] | +2% OF FINISHED LENGTH |

| ITEM | DESCRIPTION | MATERIAL | FINISH |
|------|------------------------|----------------|--------------|
| 6 | FLAG LABEL | VINYL | BLACK/YELLOW |
| 5 | POTTING MATERIAL | EPOXY | |
| 4 | WIRE, 16 AWG UL (1015) | PVC INSULATION | SEE CHART |
| 3 | CONTACT SOCKET | COPPER ALLOY | GOLD PLATED |
| 2 | FEMALE INSERT (C-SIZE) | PVC | YELLOW |
| 1 | RECEPTACLE SHELL | ZINC DIE-CAST | BLACK |

| | | | | | | | | | | |
|---|--------------------------------|--|-------|--------------------------|------------|---|-------------------------|------------------------|--|--|
| REVD IEC VOLTS; ADD UL FILE, CHART & TOOLS EC NO: IPG2017-1018 DRWN: RSTONE 5/11/17 CHKD: M ZIELIN 2017/05/08 APPR: BWOODMAN 2016/08/19 | QUALITY SYMBOLS ▽=0 ▽C=0 | GENERAL TOLERANCES (UNLESS SPECIFIED) | | DIMENSION STYLE IN/MM | | SCALE --- | DESIGN UNITS INCH | THIRD ANGLE PROJECTION | | |
| | | 4 PLACES | ±--- | ±--- | DRAWN BY | DATE | TITLE | | | |
| | | 3 PLACES | ±--- | ±--- | RSTONE | 2016/07/11 | MINI-CHANGE RECEPTACLE | | | |
| | | 2 PLACES | ±--- | ±--- | CHECKED BY | DATE | 9, 10 & 12 POLE, FEMALE | | | |
| 1 PLACE | ±--- | ±--- | K COX | 2016/12/15 | 16 AWG | | | | | |
| ANGULAR ±2° | | DRAFT WHERE APPLICABLE MUST REMAIN WITHIN DIMENSIONS | | APPROVED BY | DATE | MOLEX INCORPORATED | | SHEET NO. | | |
| | | | | TWOLDEGE | 2016/08/19 | SD-130015-026 | | 1 OF 1 | | |
| | | | | MATERIAL NO. - | | THIS DRAWING CONTAINS INFORMATION THAT IS PROPRIETARY TO MOLEX INCORPORATED AND SHOULD NOT BE USED WITHOUT WRITTEN PERMISSION | | | | |