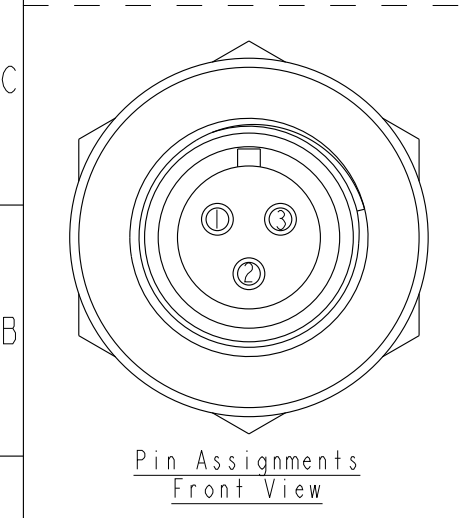
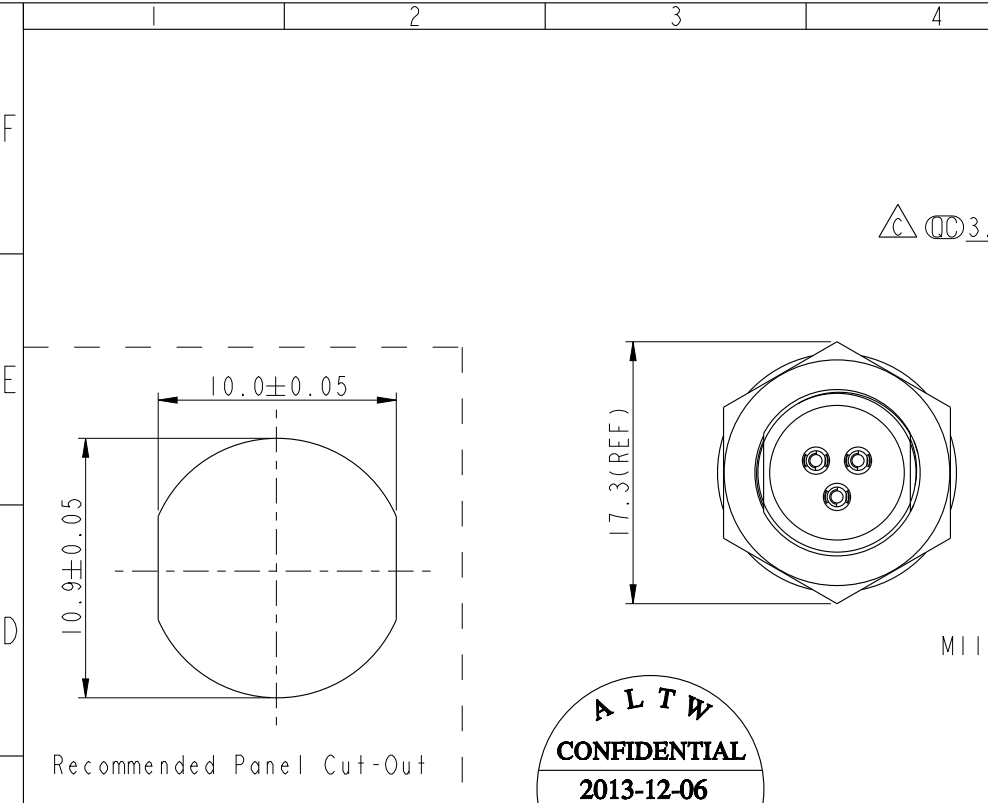
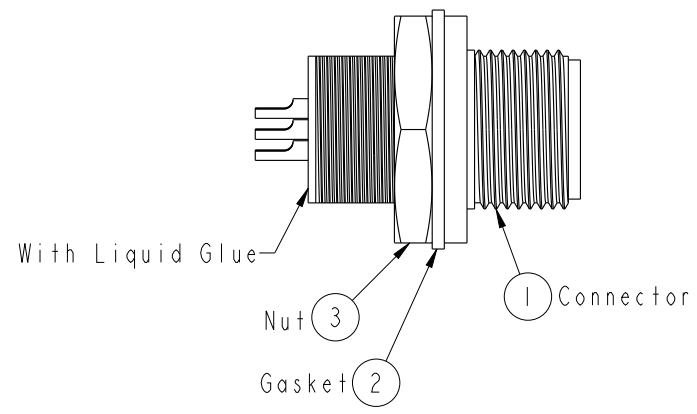
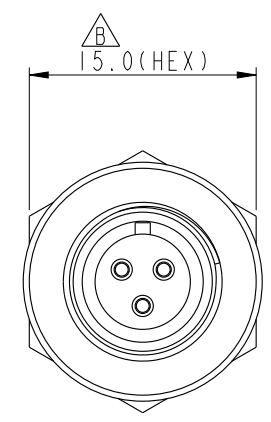
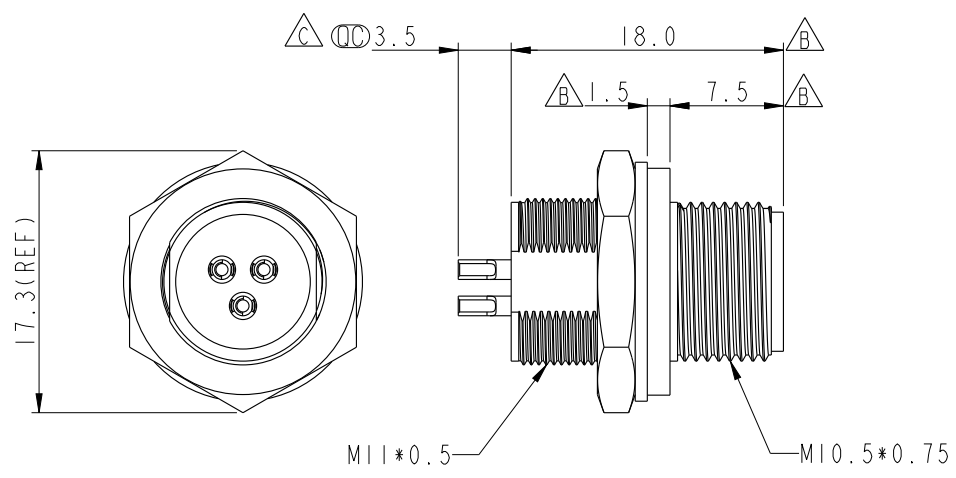


REV.	ECN NO.	DATE	SIGN	DESCRIPTION
B	LE3-910081	2009/01/16	Vicky	Update the drawing.
C	LEN13C0086	2013/12/06	Tony_leng	Change 3.3 To 3.5mm



ALTW
CONFIDENTIAL
2013-12-06
R&D DEPT.



ALTW
DCC. DEPT.
CONFIDENTIAL
2013.12.16
ISSUED

- Notes:
- * CC Important Dimension.
 - * Waterproof Rate: IP67.
 - * Connector: Black, Nylon+GF.
 - * Female Pin: Copper Alloy, Gold Plated.
 - * Gasket: Black, EPDM.
 - * Nut: Copper Alloy, Nickel Plated.
 - * Shield: Copper Alloy, Nickel Plated.
 - * For Panel Thickness Max: 6.0mm.
 - * Δ Nut Torque: 4~6 Kgf.cm

UNIT: mm		TITLE Δ M10.5 Conn Panel Screw 3P M Conn F Pin		ITEM NO 105-03PMFS-SC7001	DRAWN BY Tony_leng	DATE 2013-12-06
		SCALE 2:1 SIZE A4 SHEET 1 OF 1 REV. C WC-REV. B.2 CC : Inspection item		DWG NO 105-03PMFS-SC7001	CHECKED BY Rensong	DATE 2013-12-06
TOLERANCE .X ±0.25 .XX ±0.1 .XXX ±0.05 ANGLES ±1°		Amphenol LTW 安費諾亮泰企業股份有限公司		CUSTOMER ALTW	APPROVED BY Jerry	DATE 2013-12-06

THIS DOCUMENT IS SUBJECT TO CHANGE WITHOUT NOTICE. IT IS CONFIDENTIAL AND A PROPERTY OF Amphenol LTW. DISCLOSURE TO THIRD PARTY HAS TO BE AUTHORIZED BY Amphenol LTW.