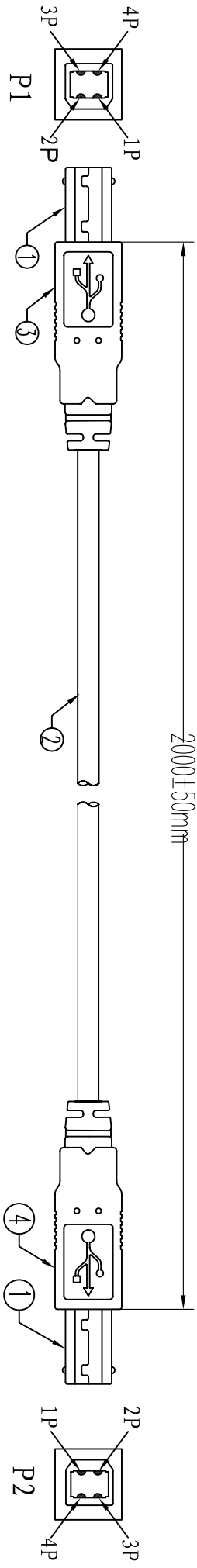
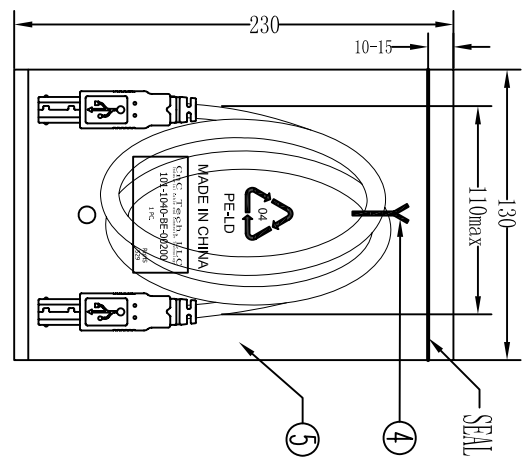
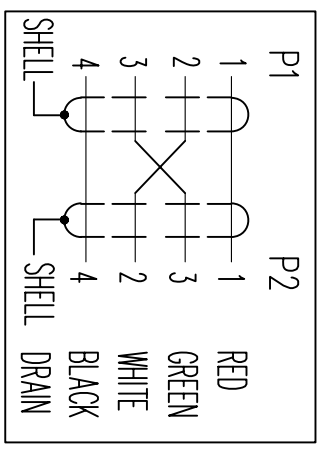


UNIT: mm



CABLE BLACK PRINT
 USB CABLE E189529 **RU** AWM 2725 28AWG/1PR AND
 24AWG/2C 80°C 30V VW-1

PIN ASSIGNMENT:



IPC/PE BAG

Electrical test:
 1. 100% short, open, miswire test
 2. Conduct resistance: 2 Ohm(max)
 3. Insulation resistance: 5Mohm(min)
 4. dielectric test: DC 300V

| | | | | | | |
|---|------------|------|---------------------------|---|---------------|-------------|
| ⑥ | PE BAG | 1/10 | CLEAR SIZE:280*330*0.05mm | PRINT BLACK | MADE IN CHINA | "10PCS" |
| ⑤ | PE BAG | 1 | CLEAR SIZE:130*230*0.05mm | PRINT BLACK | MADE IN CHINA | "1PC" |
| ④ | TIE | 1 | WHITE | L=100mm | | |
| ③ | OUT JACKET | 12g | BEIGE(V-29#) | PVC-40P (MOULD NO:WM-65) | | |
| ② | CABLE | 1 | BEIGE(V-29#) | USB2.0 UL2725 28#/1P+24#/2C+AEB | OD:4.7mm | L=2000±10MM |
| ① | CONN | 2 | USB2.0 B MALE NICKEL | PIN G/F 3PCS TYPE INSULATOR COLOR:WHITE | | |

SPECIFICATION

CNC Tech, LLC
 Industrial Cable and Connector Technology

| | | | |
|------------------|---------|------------|-------------------|
| DRAWN | ZHONGHS | DRAWING NO | |
| CHECKED | | CUSTOMER | |
| APPROVAL | | ITEM NO. | 101-1040-BE-00200 |
| DECIDED | | DATE | 2012-02-16 |
| VERSIONS/EDITION | A/0 | PROJECTION | |

4

3

2

1

A

B

C

D

A

B

C

D