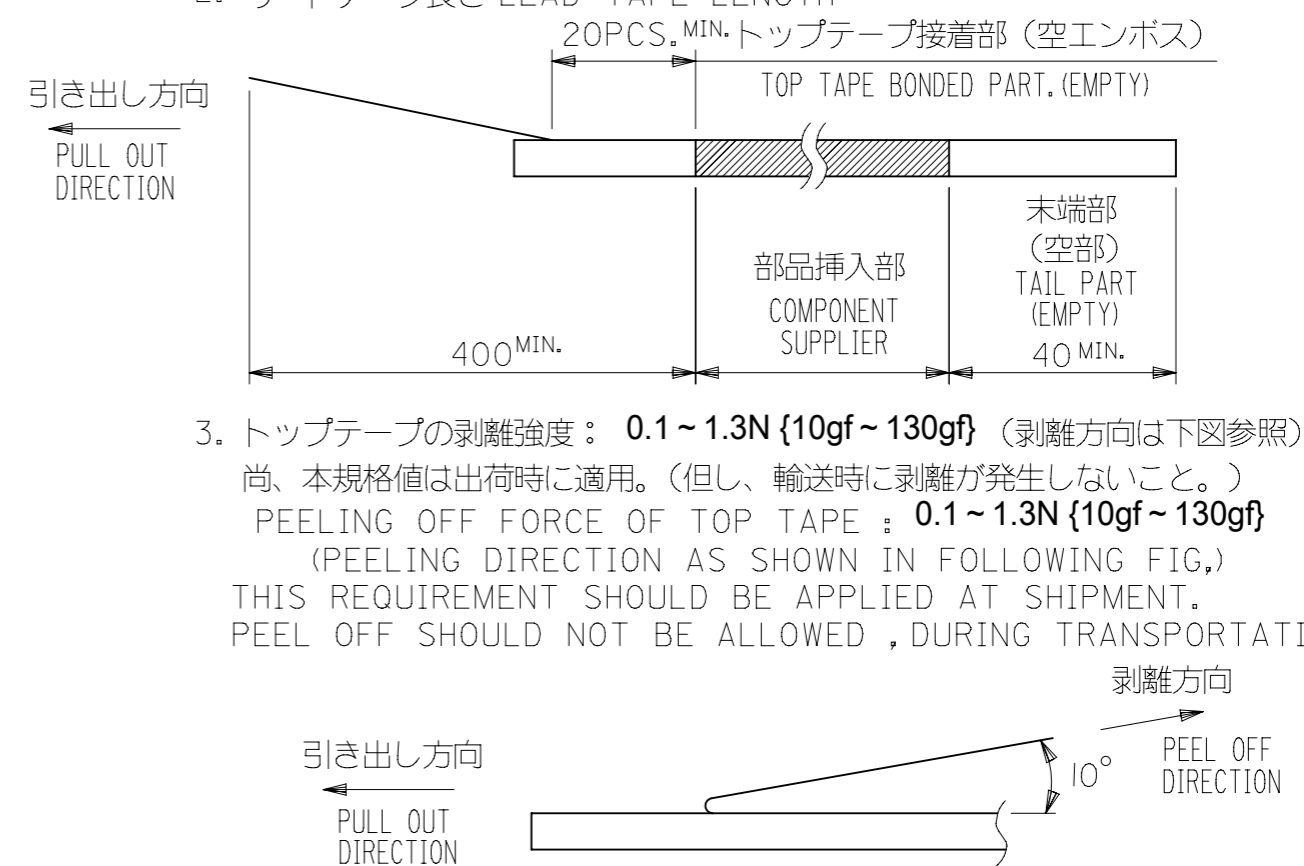


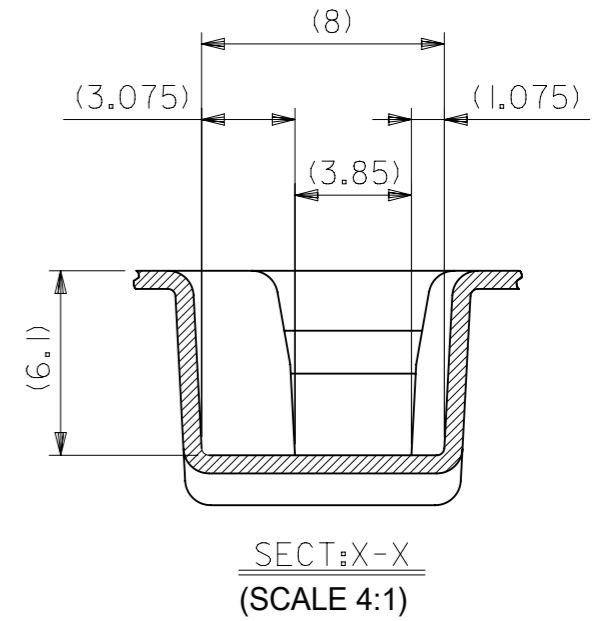
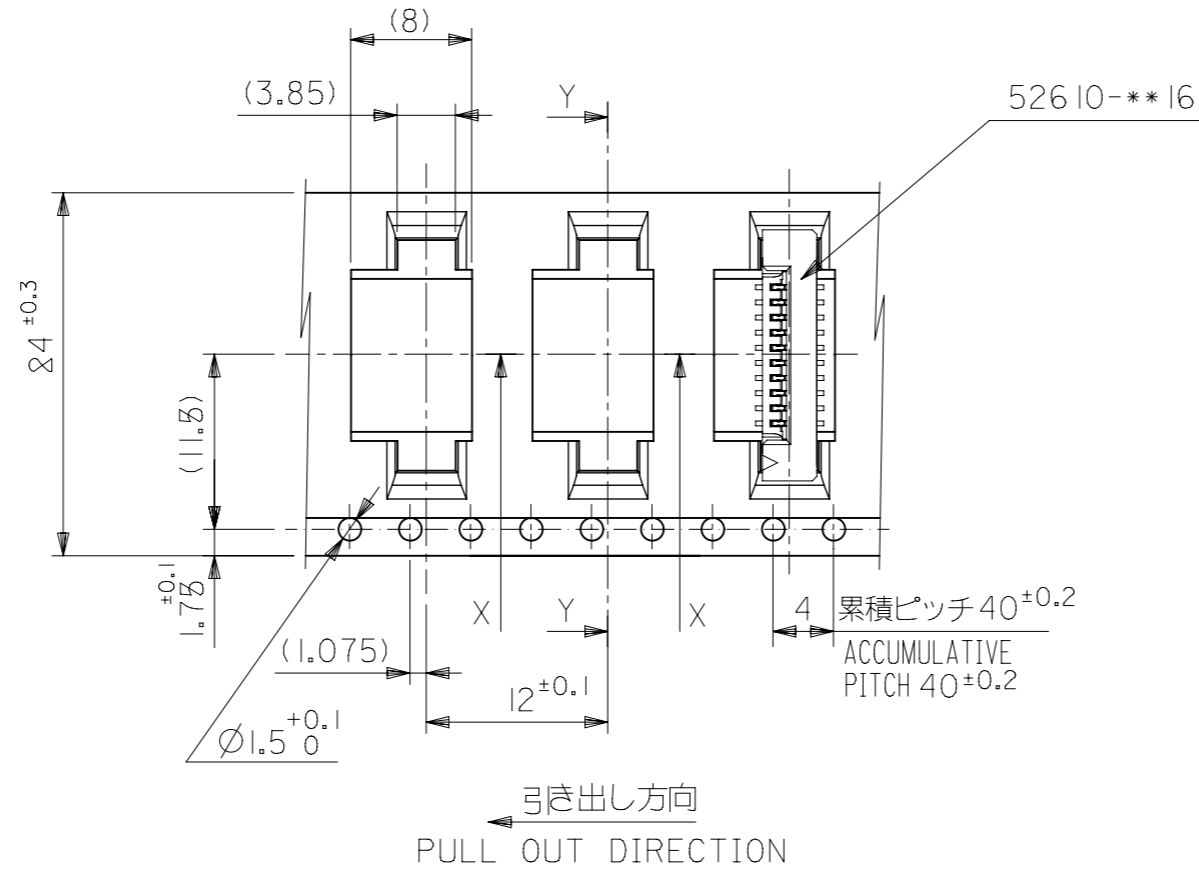
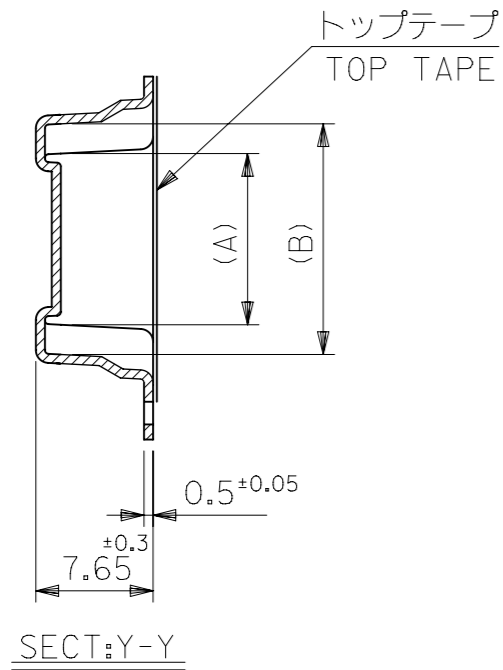
NOTES

- 梱包数量：1000個/リール  
NUMBER OF CONNECTORS : 1000PCS/REEL
- リードテープ長さ LEAD TAPE LENGTH  
20PCS. MIN. トップテープ接着部 (空エンボス)  
TOP TAPE BONDED PART. (EMPTY)  
部品挿入部  
COMPONENT SUPPLIER  
末端部 (空部)  
TAIL PART (EMPTY)  
40 MIN.
- トップテープの剥離強度：0.1~1.3N {10gf~130gf} (剥離方向は下図参照)  
尚、本規格値は出荷時に適用。(但し、輸送時に剥離が発生しないこと。)  
PEELING OFF FORCE OF TOP TAPE : 0.1~1.3N {10gf~130gf}  
(PEELING DIRECTION AS SHOWN IN FOLLOWING FIG.)  
THIS REQUIREMENT SHOULD BE APPLIED AT SHIPMENT.  
PEEL OFF SHOULD NOT BE ALLOWED , DURING TRANSPORTATION.
- 52610-\*\*-16のアクチュエータはハウジング内に押し下げた状態とする。  
詳細寸法については 製品単体図面 を参照下さい。  
ACTUATOR OF PART NO. 52610-\*\*-16 SHOULD BE LOCKED.  
RE DETAILED DIMENSIONS , SEE SALES DRAWING FOR CONNECTOR.
- 材料(MATERIAL)  
キャリアテープ(CARRIER TAPE) : ポリプロピレン(POLYPROPYLENE)  
トップテープ(TOPTAPE) : PET , PE , PEF  
リール(REEL) : ポリスチレン (PS) <リサイクル材を含む>  
POLYSTYREN(PS) <RECYCLE MATERIAL CONTAINED>
- 本製品は 52610-\*\*-90 の鉛フリー品です
- 本製品は乾燥剤入り、ハイバリア梱包仕様である。  
THIS PRODUCT IS HIGH BARRIER PACKAGE WITH DESICCANT.



GENERAL TOLERANCES (UNLESS SPECIFIED)	
10 <sup>UNDER</sup>	±0.2
10 <sup>OVER</sup> 30 <sup>UNDER</sup>	±0.25
30 <sup>OVER</sup>	±0.3
ANGULAR	±3°

THIS DRAWING CONTAINS INFORMATION THAT IS PROPRIETARY TO MOLEX ELECTRONIC TECHNOLOGIES, LLC AND SHOULD NOT BE USED WITHOUT WRITTEN PERMISSION		52610-**71		MODEL NO.	
DIMENSION UNITS: mm		SCALE: NTS		CURRENT REV DESC:	
GENERAL TOLERANCES (UNLESS SPECIFIED)		ANGULAR TOL ±		molex	
4 PLACES ±		3 PLACES ±		1.0 FPC CONN SMT ZIF EMBSTP PKG -LEAD FREE-	
3 PLACES ±		2 PLACES ±		PRODUCT CUSTOMER DRAWING	
2 PLACES ±		1 PLACE ±		DOCUMENT NUMBER	
1 PLACE ±		0 PLACES ±		SD-52610-038	
DRAFT WHERE APPLICABLE MUST REMAIN WITHIN DIMENSIONS		THIRD ANGLE PROJECTION		DOC TYPE DOC PART REVISION	
DRAWING: A3-SIZE		SERIES: 52610		PSD 001 D	
MATERIAL NUMBER: SEE TABLE		CUSTOMER: GENERAL MARKET		SHEET NUMBER: 1 OF 5	

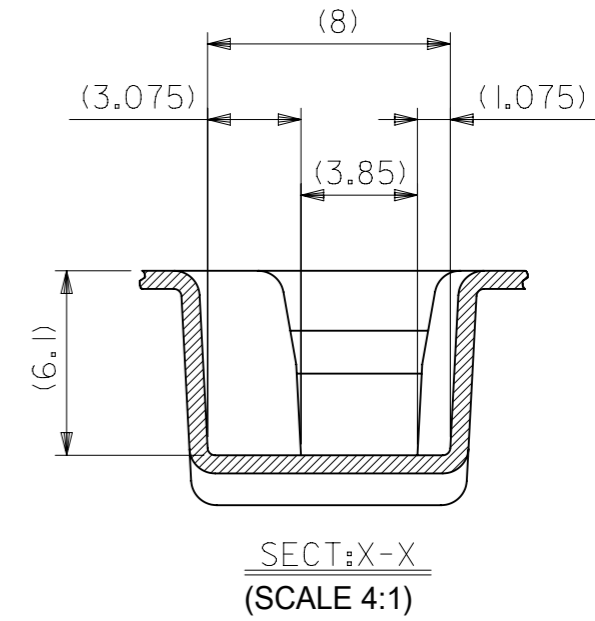
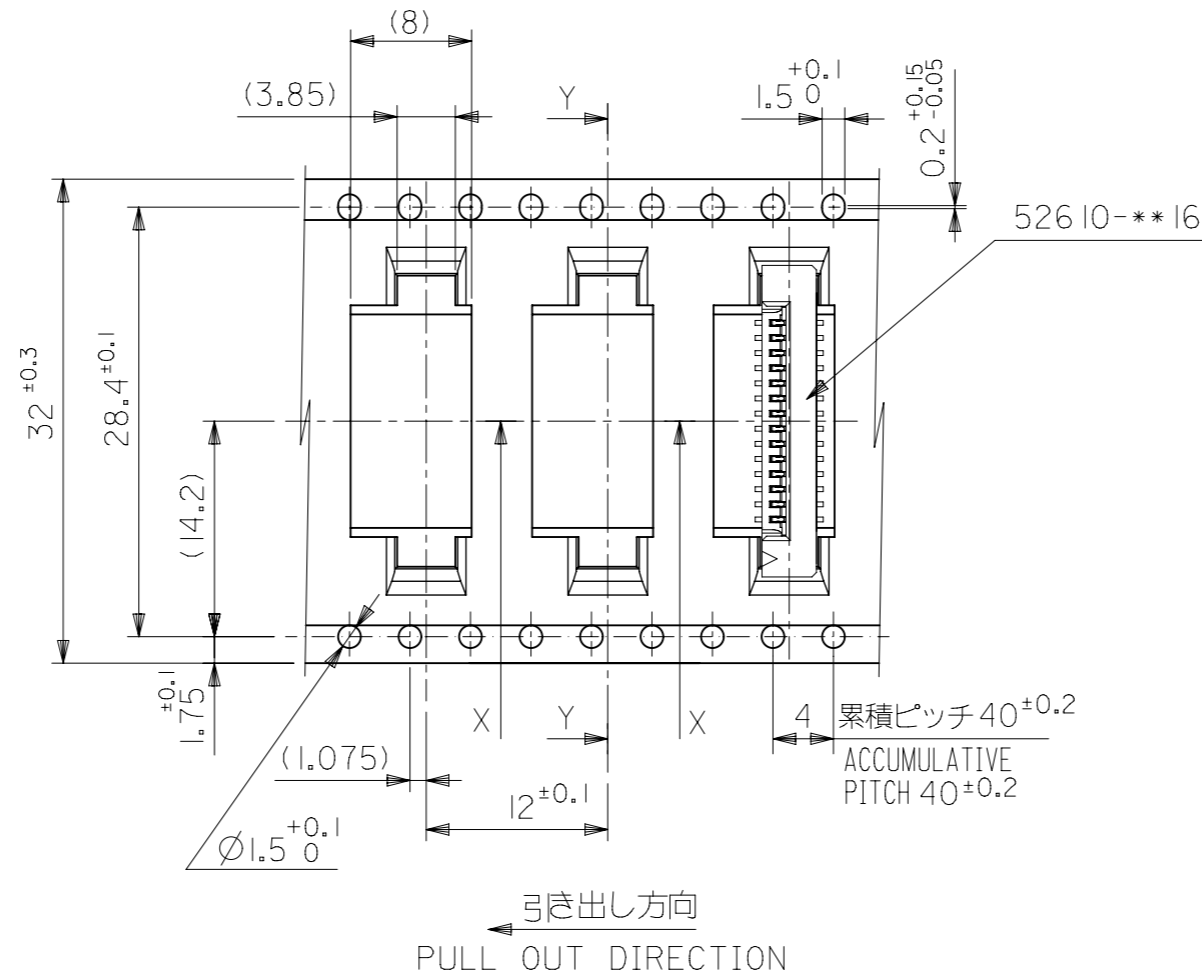
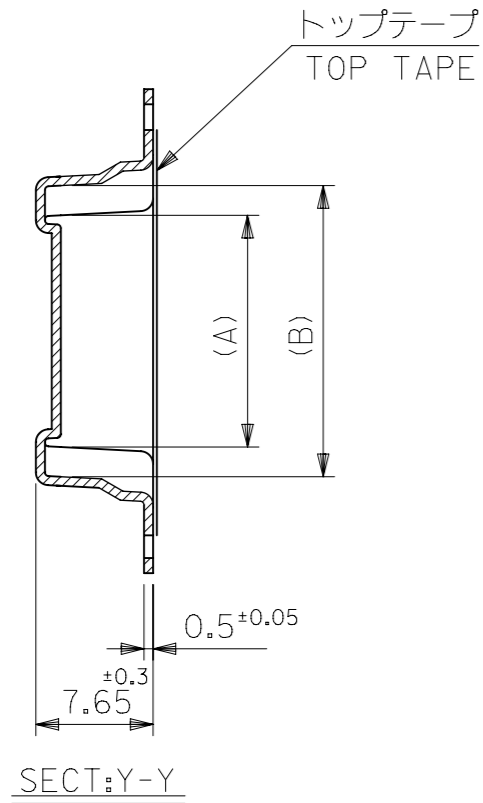


24	29.4	25.4	15.25	11.32	52610-1071	10
			14.25	10.32	52610-0971	9
			13.25	9.32	52610-0871	8
			12.25	8.32	52610-0771	7
			11.25	7.32	52610-0671	6
			10.25	6.32	52610-0571	5
キャリアテープ幅 CARRIER TAPE WIDTH	D	C	(B)	(A)	MATERIAL NO.	極数 CKT.

52610-\*\*-71 MODEL NO.

THIS DRAWING CONTAINS INFORMATION THAT IS PROPRIETARY TO MOLEX ELECTRONIC TECHNOLOGIES, LLC AND SHOULD NOT BE USED WITHOUT WRITTEN PERMISSION											
DIMENSION UNITS		SCALE		CURRENT REV DESC:							
mm		NTS		<b>molex</b> 1.0 FPC CONN SMT ZIF EMBSTP PKG -LEAD FREE- PRODUCT CUSTOMER DRAWING							
GENERAL TOLERANCES (UNLESS SPECIFIED)											
ANGULAR TOL ±											
4 PLACES ±											
3 PLACES ±											
2 PLACES ±				EC NO: 719890				2022/09/01			
1 PLACE ±				DRWN: DGONDO				2022/09/05			
0 PLACES ±				CHK'D: SMARUYAMA				2022/09/05			
DRAFT WHERE APPLICABLE MUST REMAIN WITHIN DIMENSIONS				APP: YNAITO				2022/09/05			
INITIAL REVISION:				DRWN: NAIDA				2005/08/08			
THIRD ANGLE PROJECTION				APP: NUKITA				2005/08/22			
DRAWING		SERIES		MATERIAL NUMBER		CUSTOMER		DOCUMENT NUMBER		DOC TYPE DOC PART REVISION	
A3-SIZE		52610		SEE TABLE		GENERAL MARKET		SD-52610-038		PSD 001 D	
SHEET NUMBER		2 OF 5									

GENERAL TOLERANCES (UNLESS SPECIFIED)	
10 <sup>UNDER</sup>	±0.2
10 <sup>OVER</sup> 30 <sup>UNDER</sup>	±0.25
30 <sup>OVER</sup>	±0.3
ANGULAR	±3°

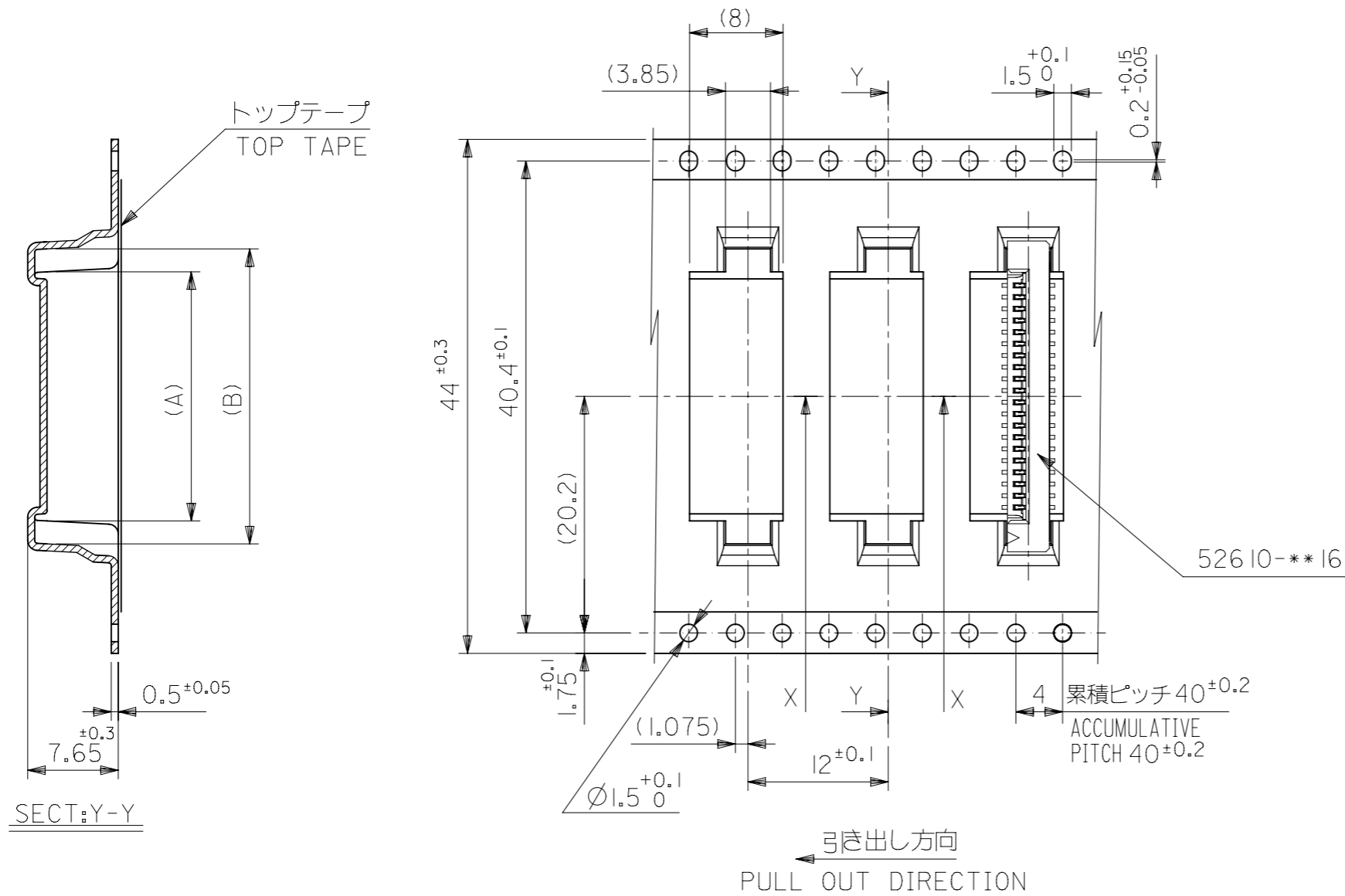


32	37.4	33.4	20.25	16.32	52610-1571	15
			19.25	15.32	52610-1471	14
			18.25	14.32	52610-1371	13
			17.25	13.32	52610-1271	12
			16.25	12.32	52610-1171	11
キャリアテープ幅 CARRIER TAPE WIDTH	D	C	(B)	(A)	MATERIAL NO.	極数 CKT.

52610-\*\*71 MODEL NO.

THIS DRAWING CONTAINS INFORMATION THAT IS PROPRIETARY TO MOLEX ELECTRONIC TECHNOLOGIES, LLC AND SHOULD NOT BE USED WITHOUT WRITTEN PERMISSION											
DIMENSION UNITS		SCALE		CURRENT REV DESC:							
mm		NTS		<b>molex</b> 1.0 FPC CONN SMT ZIF EMBSTP PKG -LEAD FREE- PRODUCT CUSTOMER DRAWING							
GENERAL TOLERANCES (UNLESS SPECIFIED)											
ANGULAR TOL ±											
4 PLACES ±											
3 PLACES ±											
2 PLACES ±				EC NO: 719890		2022/09/01		DOCUMENT NUMBER		DOC TYPE DOC PART REVISION	
1 PLACE ±				DRWN: DGONDO		2022/09/05		SD-52610-038		PSD 001 D	
0 PLACES ±				CHK'D: SMARUYAMA		2022/09/05		MATERIAL NUMBER		CUSTOMER	
DRAFT WHERE APPLICABLE MUST REMAIN WITHIN DIMENSIONS				APPR: YNAITO		2022/09/05		SEE TABLE		GENERAL MARKET	
THIRD ANGLE PROJECTION				DRAWING		SERIES		SHEET NUMBER			
A3-SIZE				52610		3 OF 5					

GENERAL TOLERANCES (UNLESS SPECIFIED)	
10 <sup>UNDER</sup>	±0.2
10 <sup>OVER</sup> 30 <sup>UNDER</sup>	±0.25
30 <sup>OVER</sup>	±0.3
ANGULAR	±3°

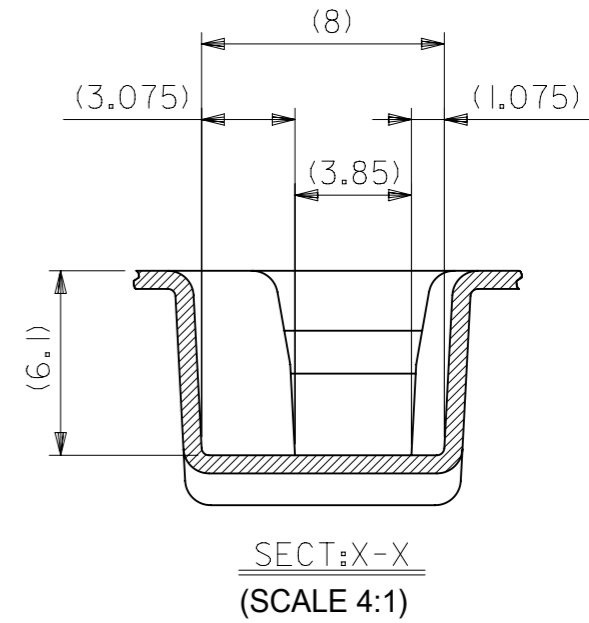
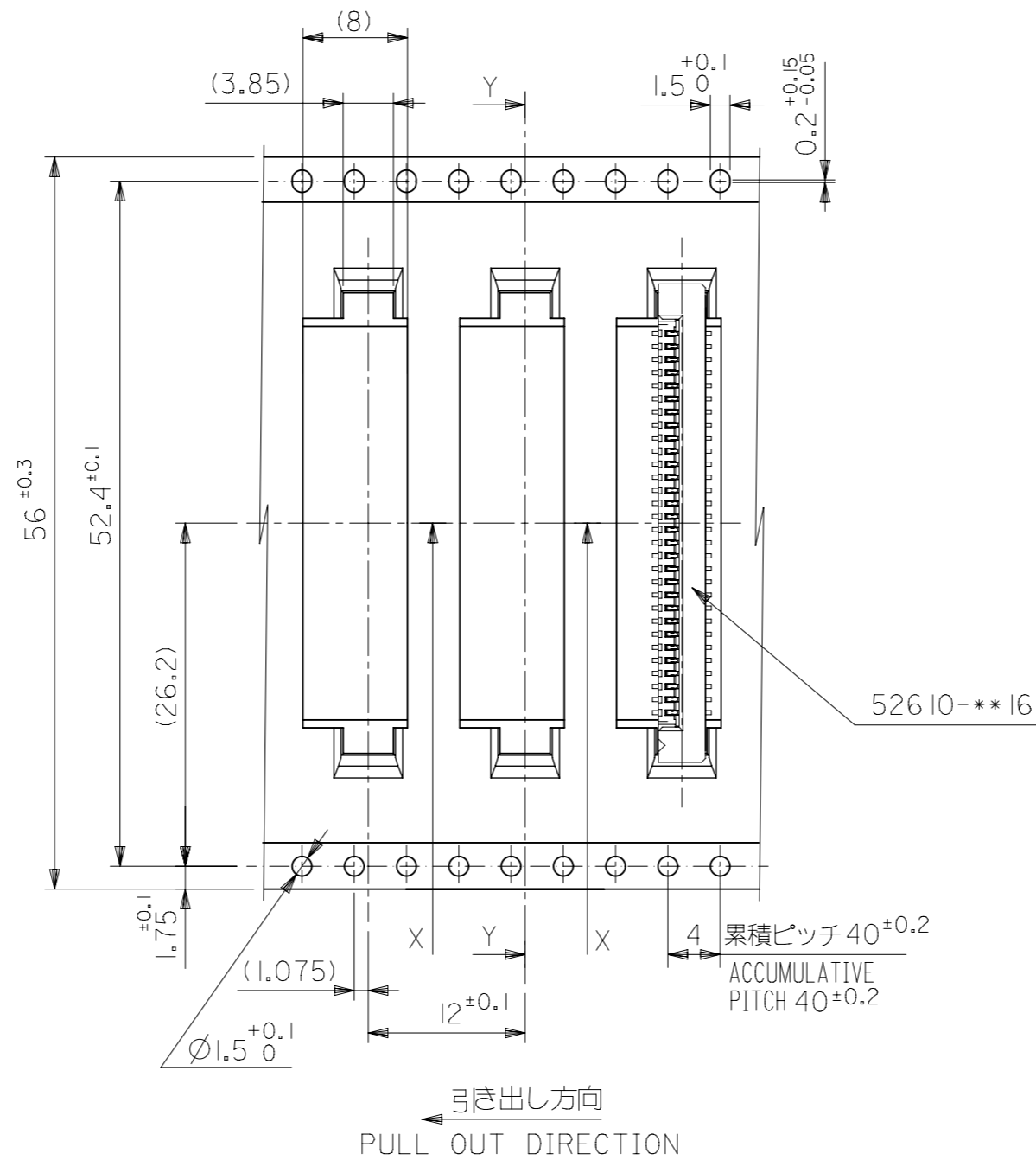
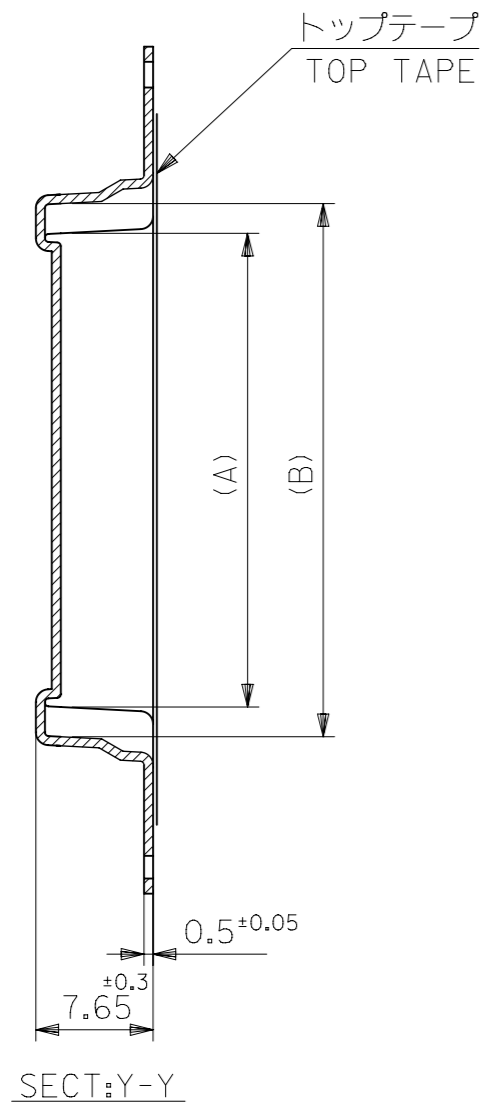


44	49.4	45.4	31.25	27.32	52610-2671	26
			30.25	26.32	52610-2571	25
			29.25	25.32	52610-2471	24
			28.25	24.32	52610-2371	23
			27.25	23.32	52610-2271	22
			26.25	22.32	52610-2171	21
			25.25	21.32	52610-2071	20
			24.25	20.32	52610-1971	19
			23.25	19.32	52610-1871	18
			22.25	18.32	52610-1771	17
			21.25	17.32	52610-1671	16
キャリアテープ幅 CARRIER TAPE WIDTH	D	C	(B)	(A)	MATERIAL NO.	極数 CKT.

52610-\*\*71 MODEL NO.

THIS DRAWING CONTAINS INFORMATION THAT IS PROPRIETARY TO MOLEX ELECTRONIC TECHNOLOGIES, LLC AND SHOULD NOT BE USED WITHOUT WRITTEN PERMISSION											
DIMENSION UNITS		SCALE		CURRENT REV DESC:							
mm		NTS									
GENERAL TOLERANCES (UNLESS SPECIFIED)				GENERAL TOLERANCES (UNLESS SPECIFIED)							
ANGULAR TOL ±				ANGULAR TOL ±							
4 PLACES ±				4 PLACES ±							
3 PLACES ±				3 PLACES ±							
2 PLACES ±				2 PLACES ±							
1 PLACE ±				1 PLACE ±							
0 PLACES ±				0 PLACES ±							
DRAFT WHERE APPLICABLE MUST REMAIN WITHIN DIMENSIONS				DRAFT WHERE APPLICABLE MUST REMAIN WITHIN DIMENSIONS							
THIRD ANGLE PROJECTION				THIRD ANGLE PROJECTION							
DRAWING				DRAWING							
SERIES				SERIES							
MATERIAL NUMBER				MATERIAL NUMBER							
CUSTOMER				CUSTOMER							
SHEET NUMBER				SHEET NUMBER							
EC NO: 719890		DRWN: NAIDA		2022/09/01		2022/09/05		2022/09/05		2022/09/05	
CHK'D: SMARUYAMA		APPR: YNAITO		INITIAL REVISION:		2005/08/08		2005/08/22		2005/08/22	
DRWN: NAIDA		APPR: NUKITA		DOCUMENT NUMBER		SD-52610-038		DOC TYPE		PSD	
APPR: NUKITA		SERIES		52610		CUSTOMER		GENERAL MARKET		4 OF 5	

GENERAL TOLERANCES (UNLESS SPECIFIED)	
10 <sup>UNDER</sup>	±0.2
10 <sup>OVER</sup> 30 <sup>UNDER</sup>	±0.25
30 <sup>OVER</sup>	±0.3
ANGULAR	±3°

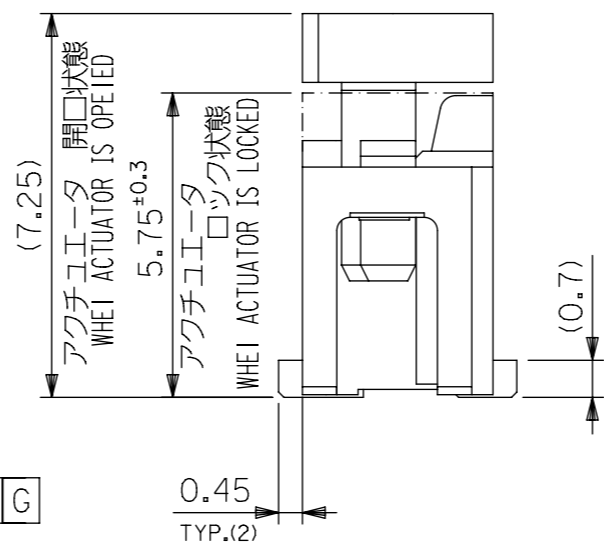
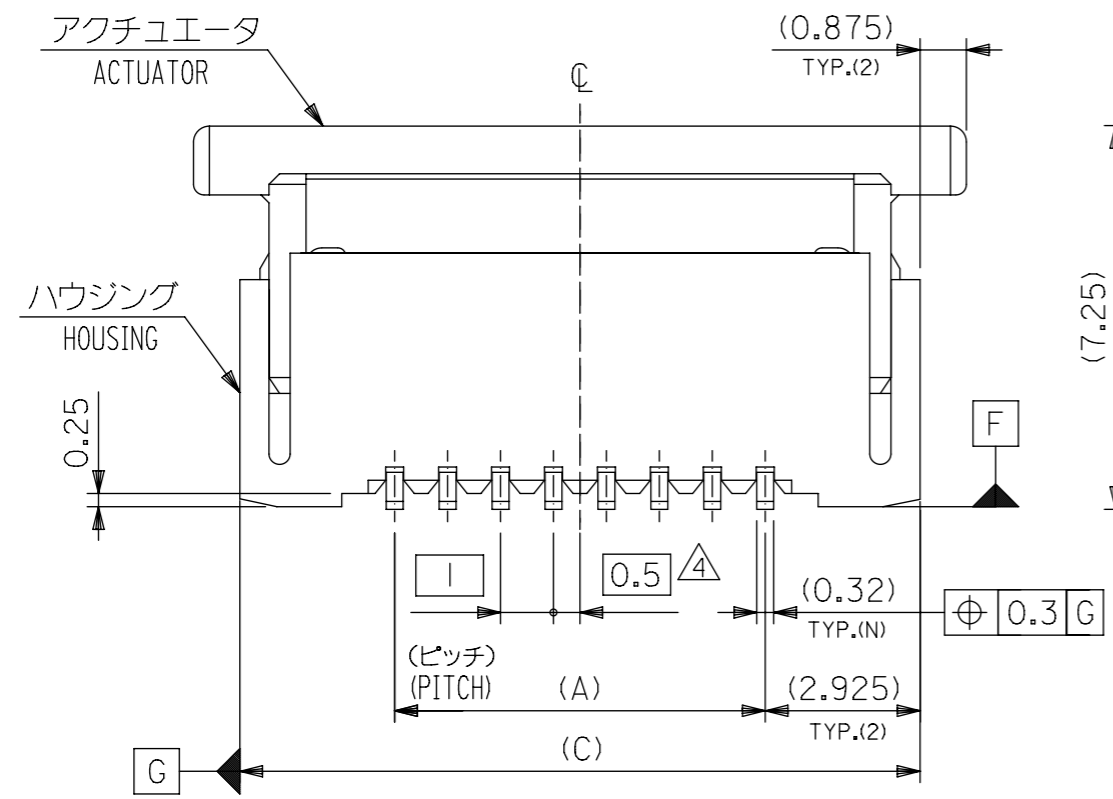
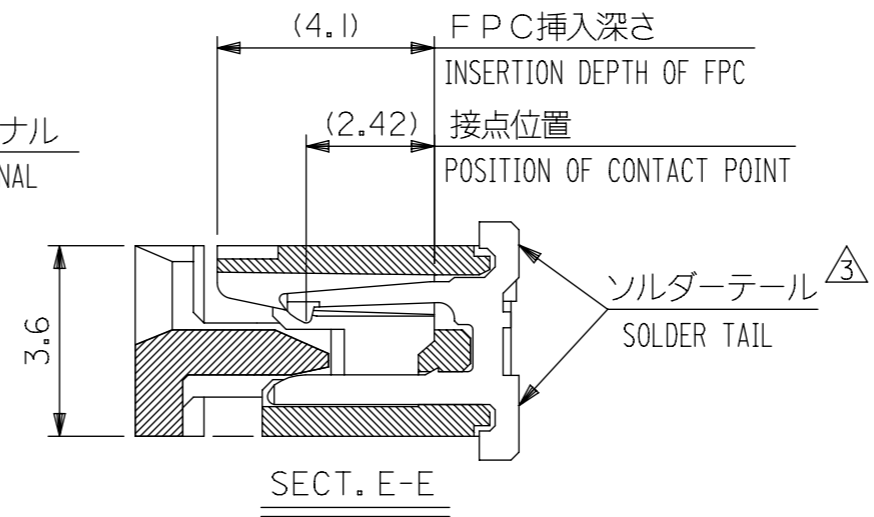
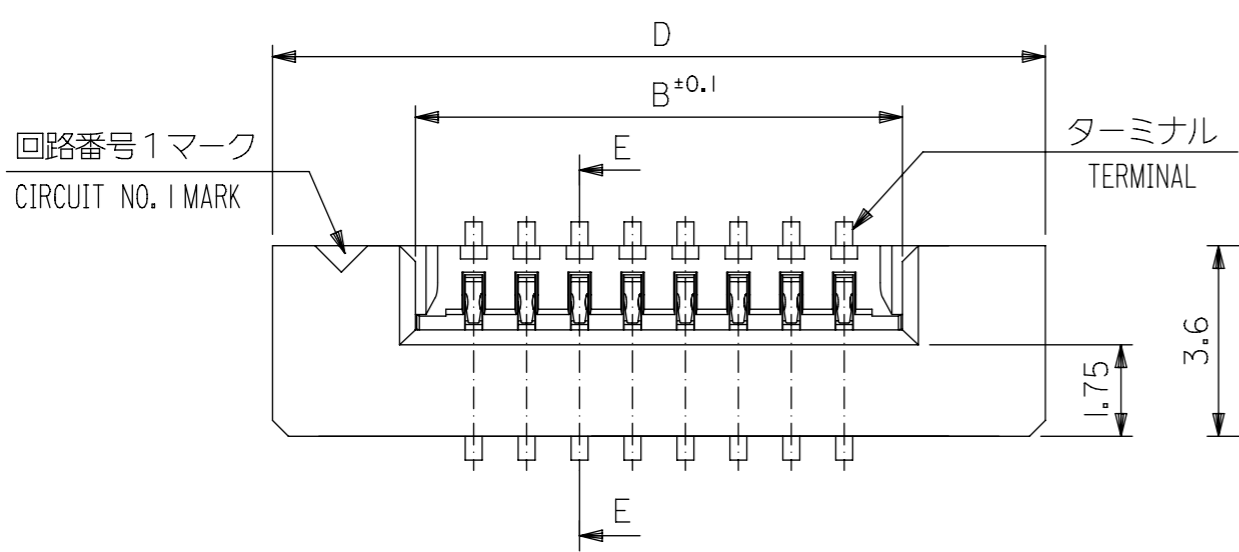


56	61.4	57.4	35.25	31.32	526 10-3071	30
			33.25	29.32	526 10-2871	28
キャリアテープ幅 CARRIER TAPE WIDTH	D	C	(B)	(A)	MATERIAL NO.	極数 CKT.

52610-\*\*71 MODEL NO.

THIS DRAWING CONTAINS INFORMATION THAT IS PROPRIETARY TO MOLEX ELECTRONIC TECHNOLOGIES, LLC AND SHOULD NOT BE USED WITHOUT WRITTEN PERMISSION		CURRENT REV DESC:		<b>molex</b>		
DIMENSION UNITS	SCALE					
mm	NTS			PRODUCT CUSTOMER DRAWING		
GENERAL TOLERANCES (UNLESS SPECIFIED)		GENERAL TOL ±		DOCUMENT NUMBER		
ANGULAR TOL ±		°		SD-52610-038		
4 PLACES ±				DOC TYPE		
3 PLACES ±				PSD		
2 PLACES ±				DOC PART		
1 PLACE ±				001		
0 PLACES ±				REVISION		
DRAFT WHERE APPLICABLE MUST REMAIN WITHIN DIMENSIONS		THIRD ANGLE PROJECTION		SHEET NUMBER		
		DRAWING		5 OF 5		
		SERIES		MATERIAL NUMBER		
		A3-SIZE		SEE TABLE		
		52610		CUSTOMER		
				GENERAL MARKET		

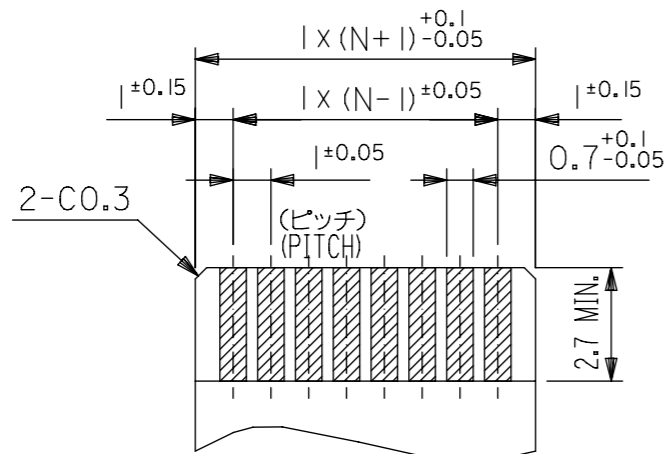
GENERAL TOLERANCES (UNLESS SPECIFIED)		
10 <sup>UNDER</sup>	±0.2	
10 <sup>OVER</sup> 30 <sup>UNDER</sup>	±0.25	
30 <sup>OVER</sup>	±0.3	
ANGULAR	±3°	



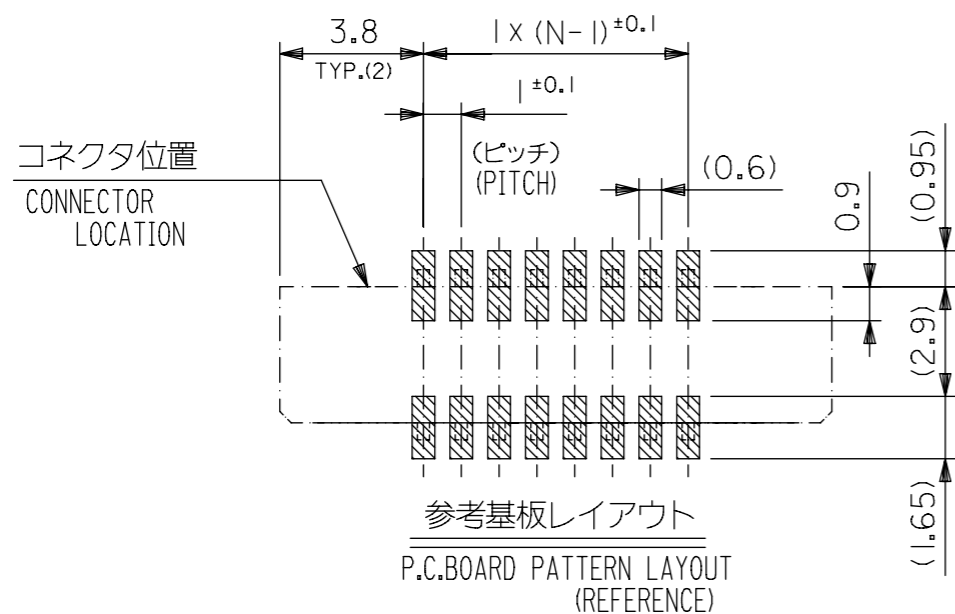
注記 (NOTES):

- 材料 (MATERIAL)  
 ハウジング (HOUSING): 46NYLON, UL94V-0  
 アクチュエータ (ACTUATOR): PPS, UL94V-0  
 ターミナル (TERMINAL): リン青銅 (+0.32)  
 PHOS-BRO  
 錫 (3%±1%) ビスマスメッキ 1.0マイクロメートル以上  
 TIN (3%±1%) BISMUTH 1.0 MICROMETER MINIMUM  
 ニッケル下地 1.0マイクロメートル以上  
 NICKEL (UNDER PLATING) 1.0 MICROMETER MINIMUM
- エンボステープ梱包時は、アクチュエータがロックした状態とする。  
 IN THE PACKAGE, ACTUATOR OF PART NO. 52610-\*\*16 SHOULD BE LOCKED.
- △3 ソルダータール半田付け面のズレ量は、基準面 [F] に対し上方向 0.05 MAX., 下方向 0.15 MAX. とする。  
 MISALIGNMENT OF SOLDER TAILS FROM [F] UPPER DIRECTION : 0.05 MAX., LOWER DIRECTION : 0.15 MAX.
- △4 偶数極に適用。  
 APPLY FOR EVEN CIRCUIT.
- 本製品は 52610-\*\*17 の鉛フリー品です

THIS DRAWING CONTAINS INFORMATION THAT IS PROPRIETARY TO MOLEX ELECTRONIC TECHNOLOGIES, LLC AND SHOULD NOT BE USED WITHOUT WRITTEN PERMISSION		CURRENT REV DESC:		<b>molex</b>	
DIMENSION UNITS	SCALE				
mm	NTS			1.0 FPC CONNECTOR Z.I.F. FOR SMT.(ST.) -LEAD FREE-	
GENERAL TOLERANCES (UNLESS SPECIFIED)		GENERAL TOLERANCES (UNLESS SPECIFIED)		PRODUCT CUSTOMER DRAWING	
ANGULAR TOL ± °		ANGULAR TOL ± °		DOCUMENT NUMBER	
4 PLACES ±		4 PLACES ±		SD-52610-041	
3 PLACES ±		3 PLACES ±		DOC TYPE	
2 PLACES ±		2 PLACES ±		PSD	
1 PLACE ±		1 PLACE ±		DOC PART	
0 PLACES ±		0 PLACES ±		001	
DRAFT WHERE APPLICABLE MUST REMAIN WITHIN DIMENSIONS		THIRD ANGLE PROJECTION		REVISION	
				H	
DRAWING		SERIES		MATERIAL NUMBER	
A3-SIZE		52610		CUSTOMER	
GENERAL TOLERANCES (UNLESS SPECIFIED)				GENERAL MARKET	
10 <sup>UNDER</sup>		±0.2		SHEET NUMBER	
10 <sup>OVER</sup> 30 <sup>UNDER</sup>		±0.25		1 OF 2	
30 <sup>OVER</sup>		±0.3			
ANGULAR		±3 °			



適合FPC推奨寸法  
 APPLICABLE FPC RECOMMENDED DIM.  
 仕上がり厚さ(THICKNESS): 0.3<sup>+0.05</sup>



参考基板レイアウト  
 P.C.BOARD PATTERN LAYOUT  
 (REFERENCE)

FPCについて:  
 打抜き方向は導体側から補強板側を推奨致します。  
 補強フィルム材質はポリイミドを推奨致します。  
 接着剤は熱硬化接着剤を推奨致します。

ABOUT FPC:  
 RECOMMENDED PUNCHER DIRECTION : FROM CONDUCTOR SIDE TO STIFFENER BOARD SIDE.  
 RECOMMENDED MATERIAL :  
 STIFFENER FILM : POLYIMIDE  
 BONDING AGENT : THRMOSSETTING BONDING AGENT

36.6	34.85	31.2	29	52610-3071	30
34.6	32.85	29.2	27	-2871	28
32.6	30.85	27.2	25	-2671	26
31.6	29.85	26.2	24	-2571	25
30.6	28.85	25.2	23	-2471	24
29.6	27.85	24.2	22	-2371	23
28.6	26.85	23.2	21	-2271	22
27.6	25.85	22.2	20	-2171	21
26.6	24.85	21.2	19	-2071	20
25.6	23.85	20.2	18	-1971	19
24.6	22.85	19.2	17	-1871	18
23.6	21.85	18.2	16	-1771	17
22.6	20.85	17.2	15	-1671	16
21.6	19.85	16.2	14	-1571	15
20.6	18.85	15.2	13	-1471	14
19.6	17.85	14.2	12	-1371	13
18.6	16.85	13.2	11	-1271	12
17.6	15.85	12.2	10	-1171	11
16.6	14.85	11.2	9	-1071	10
15.6	13.85	10.2	8	-0971	9
14.6	12.85	9.2	7	-0871	8
13.6	11.85	8.2	6	-0771	7
12.6	10.85	7.2	5	-0671	6
11.6	9.85	6.2	4	52610-0571	5
D	(C)	B	(A)	MATERIAL NO.	CKT.

THIS DRAWING CONTAINS INFORMATION THAT IS PROPRIETARY TO MOLEX ELECTRONIC TECHNOLOGIES, LLC AND SHOULD NOT BE USED WITHOUT WRITTEN PERMISSION

DIMENSION UNITS	SCALE	CURRENT REV DESC:		<b>molex</b>		
mm	NTS					
GENERAL TOLERANCES (UNLESS SPECIFIED)		EC NO: 745355		1.0 FPC CONNECTOR		
ANGULAR TOL ± °		DRWN: RAJMOK		Z.I.F. FOR SMT.(ST.) -LEAD FREE-		
4 PLACES ±		2023/04/06		PRODUCT CUSTOMER DRAWING		
3 PLACES ±		CHK'D: HSHIMOYAMA		DOCUMENT NUMBER		
2 PLACES ±		2023/04/07		SD-52610-041		
1 PLACE ±		APPR: HSHIMOYAMA		DOC TYPE		
0 PLACES ±		INITIAL REVISION:		PSD		
DRAFT WHERE APPLICABLE MUST REMAIN WITHIN DIMENSIONS		DRWN: MNABEI		DOC PART		
THIRD ANGLE PROJECTION		2006/04/17		001		
DRAWING		2006/04/20		REVISION		
SERIES		APPR: NUKITA		H		
MATERIAL NUMBER		A3-SIZE		SHEET NUMBER		
CUSTOMER		52610		2 OF 2		
SEE TABLE		GENERAL MARKET				