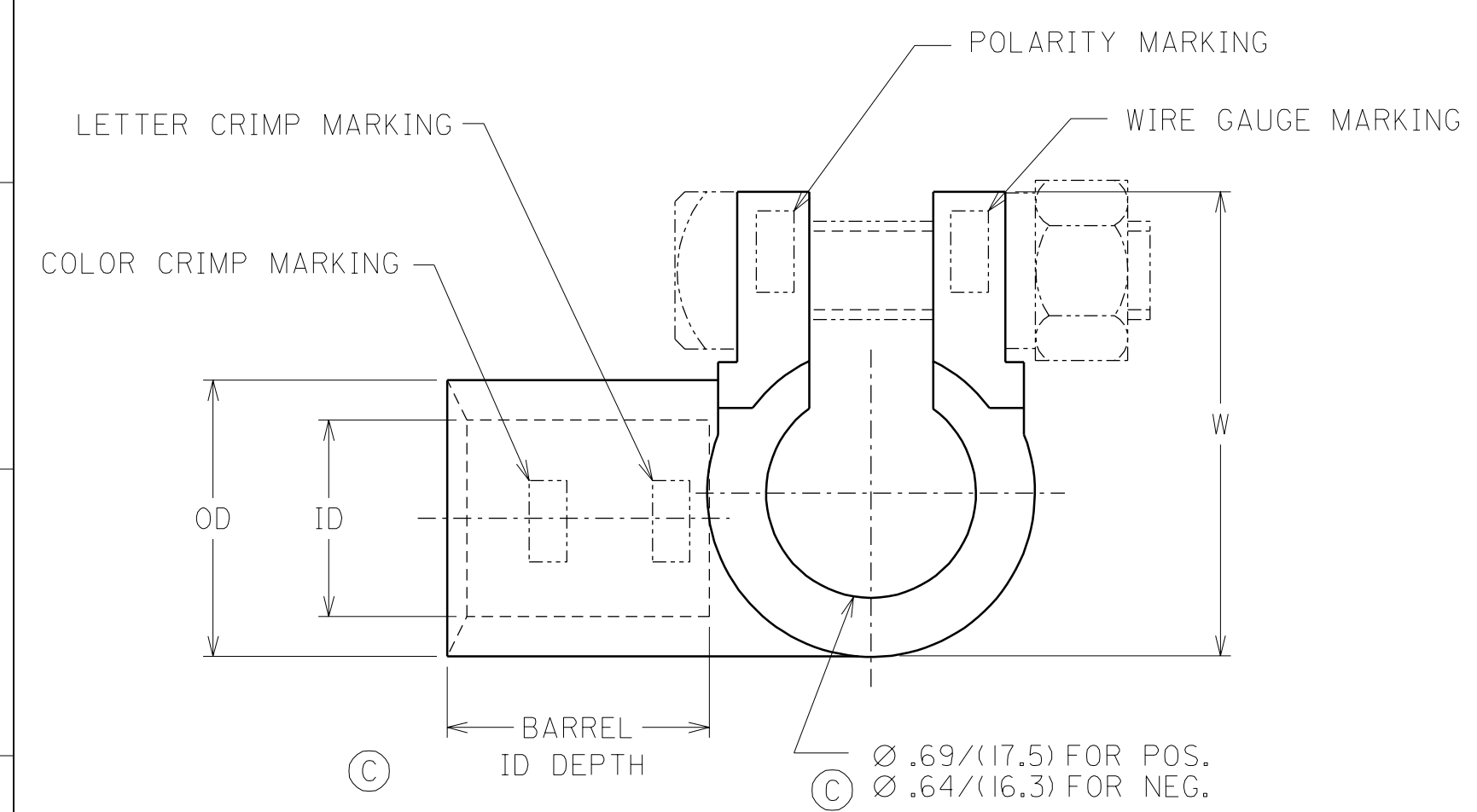


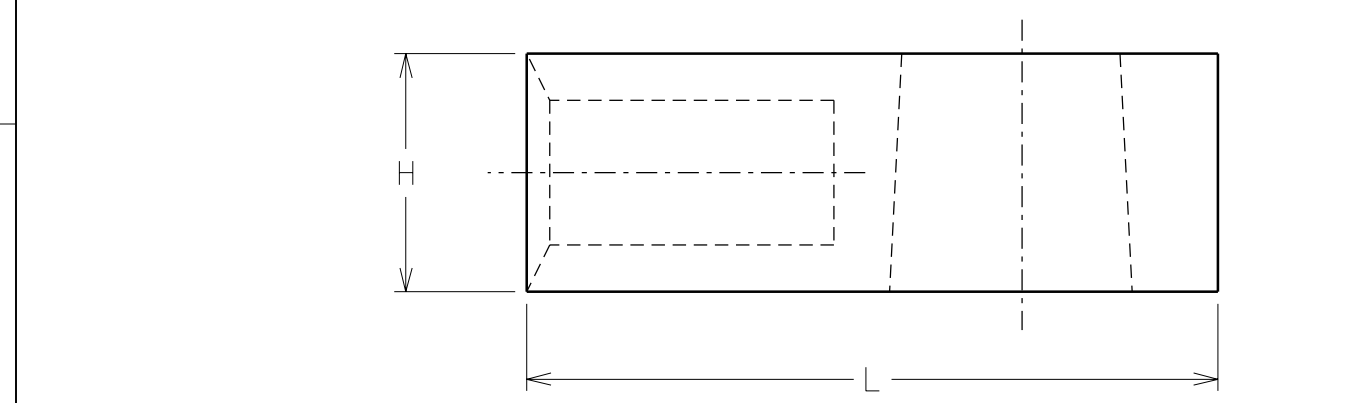
MATERIAL NUMBER NEGATIVE	MATERIAL NUMBER POSITIVE	WIRE GAUGE MARKING	COLOR CRIMP MARKING	BARREL ID	BARREL OD	BARREL ID DEPTH	L +.060, -.010 (+1.52, -0.25)	H	W
192180049	192180050	2	GREEN	.34/(8.6)	.55/(14.0)	1.16/(29.5)	2.07/(52.6)	.65/(16.5)	1.40/(35.6)
192180047	192180048	1	PINK	.39/(9.9)	.55/(14.0)	1.16/(29.5)	2.07/(52.6)	.65/(16.5)	1.40/(35.6)
192180051	192180052	1/0	BLACK	.47/(11.9)	.65/(16.5)	1.16/(29.5)	2.07/(52.6)	.65/(16.5)	1.50/(38.1)
192180053	192180054	2/0	ORANGE	.50/(12.7)	.65/(16.5)	1.16/(29.5)	2.07/(52.6)	.65/(16.5)	1.50/(38.1)
192180055	192180056	3/0	PURPLE	.53/(13.5)	.65/(16.5)	1.16/(29.5)	2.07/(52.6)	.65/(16.5)	1.50/(38.1)
192180057	192180058	4/0	YELLOW	.60/(15.2)	.830/(21.1)	1.07/(27.2)	2.07/(52.6)	.71/(18.0)	1.59/(40.4)
192180059	192180060	6/0	YELLOW	.67/(17.0)	.830/(21.1)	1.07/(27.2)	2.07/(52.6)	.71/(18.0)	1.59/(40.4)

(C) (C) (C) (C) (C)



NOTES:
 1. MATERIAL: DIE CAST COPPER.
 2. FINISH: TIN PLATED.
 3. INCLUDES 5/16 BOLT & SHOULDER NUT.

SALES DRAWING



EC NO. ETC2002-0324 DRWN: BRE 02/05/20 CHK: HEB 02/05/20 APPR: RWD 02/05/20	QUALITY SYMBOLS MAJOR $\nabla=0$ CRITICAL $\nabla=0$	GENERAL TOLERANCES: (UNLESS SPECIFIED)	SCALE NO: NE DESIGN UNITS <input type="checkbox"/> mm <input checked="" type="checkbox"/> INCH	THIRD ANGLE PROJECTION	DIMENSIONS: <input type="checkbox"/> mm <input checked="" type="checkbox"/> INCH <input type="checkbox"/> mm ONLY	SHT REV	REVISE ON CAD ONLY																	
			<table border="1" style="width: 100%; border-collapse: collapse;"> <thead> <tr> <th></th> <th>mm</th> <th>INCH</th> </tr> </thead> <tbody> <tr> <td>4 PLACES</td> <td>±0.</td> <td>±.</td> </tr> <tr> <td>3 PLACES</td> <td>±0.</td> <td>±.015</td> </tr> <tr> <td>2 PLACES</td> <td>±0.38</td> <td>±.03</td> </tr> <tr> <td>1 PLACE</td> <td>±0.76</td> <td>±.</td> </tr> </tbody> </table>		mm	INCH	4 PLACES	±0.	±.	3 PLACES	±0.	±.015	2 PLACES	±0.38	±.03	1 PLACE	±0.76	±.	DRAWN BY & DATE DAY 99/03/12	TITLE: DIE CAST COPPER BATTERY TERMINAL LEFT ELBOW				
		mm	INCH																					
	4 PLACES	±0.	±.																					
3 PLACES	±0.	±.015																						
2 PLACES	±0.38	±.03																						
1 PLACE	±0.76	±.																						
		CHECKED BY & DATE RWD 99/03/12	MOLEX INCORPORATED																					
		APPROVED BY & DATE RWD 99/03/12				CAD FILENAME SD-19218-005.DGN	MATERIAL NO. SEE CHART	DRAWING NO. SD-19218-005	SHEET NO. 1 OF 1															
C	REV	DRAFT WHERE APPLICABLE MUST REMAIN WITHIN DIMENSIONS		THIS DRAWING CONTAINS INFORMATION THAT IS PROPRIETARY TO MOLEX INCORPORATED AND SHOULD NOT BE USED WITHOUT WRITTEN PERMISSION.			SIZE B																	