



On Delay & Interval On Timer

TDR-C

Specifications

Electrical

Supply Voltage: 24 to 240VAC/VDC

Frequency: 50 to 400Hz

Functions: On Delay & Interval On

Time Ranges: 0.1Sec. up to 24 Hrs.

Fine Adjustment Pot:

On Top: Adjusts within Range

Remote (11Pin): 1KΩ to 20KΩ

Adjusts within Range

Power Consumption: 1.5VA

Indicators: 2 LEDs

Must be used with UL approved socket to satisfy UL Listing.

Output Rating @ 25°C:

5 Amps @ 250VAC (General Purpose)

1/8 HP @ 120VAC

5 Amps @ 30VDC

B300 (Pilot Duty)

360 VA

3 Amps @ 120VAC

1.5 Amps @ 240VAC

Physical

Mounting: Plug-In

Termination: 8 or 11Pin

Packaging: Dust Cover

Weight: 8.5 Oz. Approx.

Ambient Temperatures

Operating: 0°C to 65°C

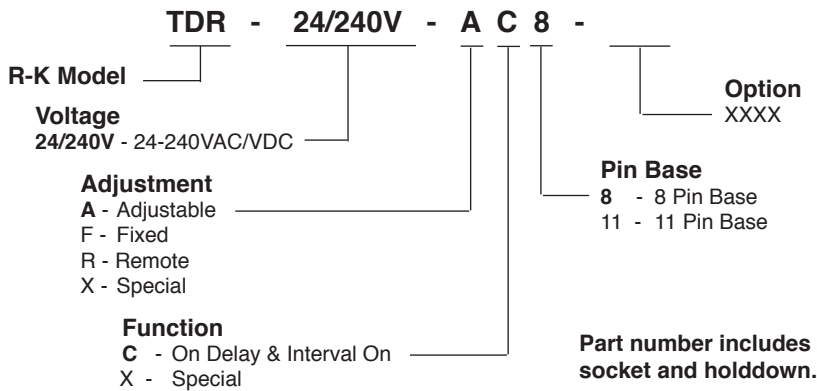
Storage: -40°C to 85°C



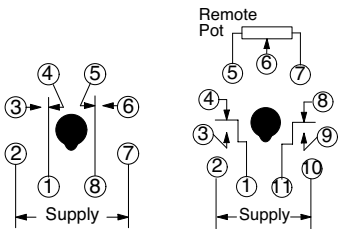
- 24 to 240VAC/VDC (Universal Voltage)
- On Delay & Interval On Functions
- Time ranges up to 24 hours
- Adjustment Knobs
- Plug-In Package
- DPDT Contacts
- Status LEDs



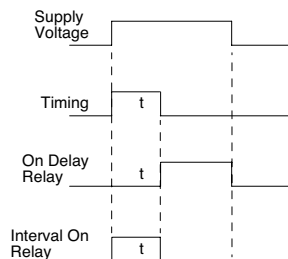
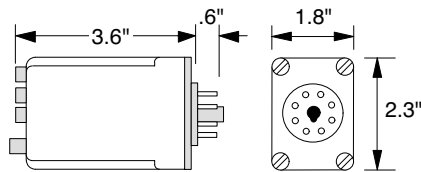
Ordering Information



Connections



Dimensions



On Delay & Interval On Operations

The TDR-C allows you to select between On Delay and Interval On. The universal supply voltage accepts most typical control voltages.

By selecting On Delay with the function pot on the top, when the supply voltage is applied, the timing begins and the internal relay remains de-energized. After the time delay, the internal relay energizes and the output contacts transfer. Removal of supply Voltage resets the timer, whether it has completed the timing cycle or not.

By selecting Interval On with the function pot on the top, when the supply voltage is applied, the timing begins and the internal relay energizes, transferring the output contacts. After the time delay is completed, the internal relay de-energizes. Removal of supply Voltage resets the timer, whether it has completed the timing cycle or not.