



MADE  
IN THE **USA**

### Product Description:

- Glove Box Dispenser - Quint
- Holds five boxes of gloves
- Keyholes for wall mounting or cut out for use with BOWMAN door or wall hanger
- Quartz Beige ABS Plastic

### Primary Area for Product Usage:

- Anywhere personal protection equipment is needed

### Dispenses:

- Left: Box(es) no larger than 5.50"W x 10.00"H x 4.55"D (14.0 cm x 25.4 cm x 11.6 cm)
- Right: Box(es) no larger than 5.63"W x 10.00"H x 4.55"D (14.3 cm x 25.4 cm x 11.6 cm)

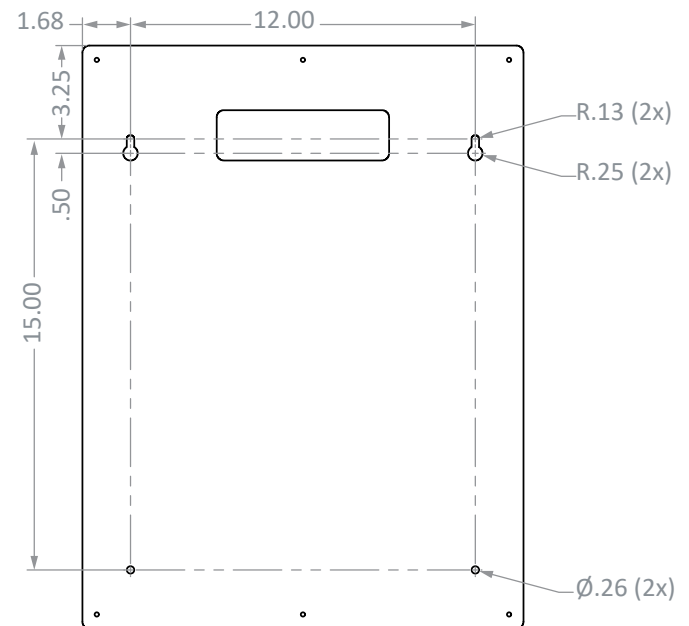
### Package Specifications:

- Package Quantity: 1 per case
- 24"L x 16"W x 6"H (53.3 cm x 35.6 cm x 25.4 cm)
- 5.0 lbs (3.2 kg) - approximated

### Product Specifications (overall external dimensions):

- 15.81"W x 20.30"H x 4.00"D (43.1 cm x 25.9 cm x 12.1 cm)
- 2.9 lbs (1.0 kg) - approximated

### Mounting Specifications:



### Companion Products (each sold separately):

- Door/Wall Hangers: HH004-0412, MB-500, MB-510, MB-600 (below left), MB-601
- FM014-0212: Face Mask Dispenser - Quint (below right)

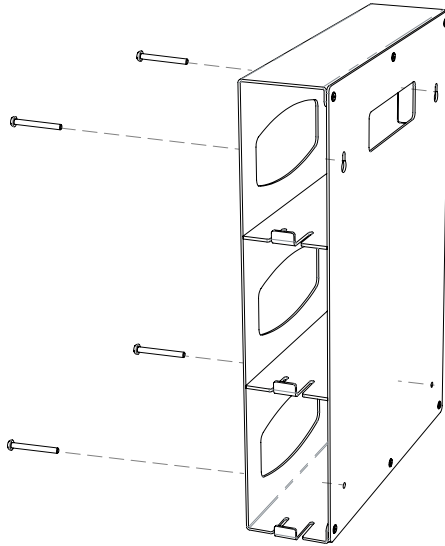




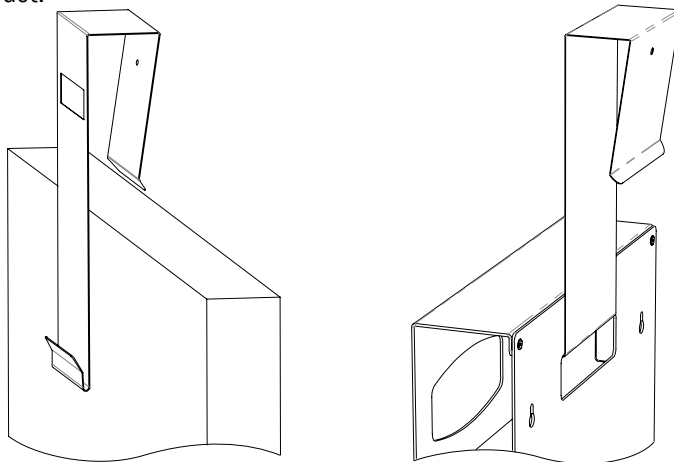
### Installation

Always mount dispensers securely *prior* to loading with product.

- Mount securely to a wall with screws approved and supplied by building maintenance.



- Dispenser may be mounted on a BOWMAN door or wall hanger through a cutout in the back.
- Mount the hanger first (MB-600 Door Hanger illustrated below), then hang the empty dispenser through the cutout in the back.
- Load product.



#### Parts included:

- Dispenser
- 4x Rubber Bumpers

#### Tools Required:

- No tools required to assemble dispenser

### Care and Construction

ABS Plastic

#### Material Characteristics

#### Designed for Long-Term, Heavy-Duty Applications

The combination of copolymers (Acrylonitrile, Butadiene, and Styrene) gives ABS an excellent combination of strength, rigidity, and toughness.

ABS is chemical and stress-crack resistant. It is tough, dimensionally stable, and will hold up to long-term use. It possesses high strength and performance characteristics at a reasonable cost.

#### Care and Cleaning

Use mild soap and water to clean. Petroleum-based oils, solvents, and paints should not be used.

Standard hospital cleaning supplies are approved for use on our ABS plastic products.