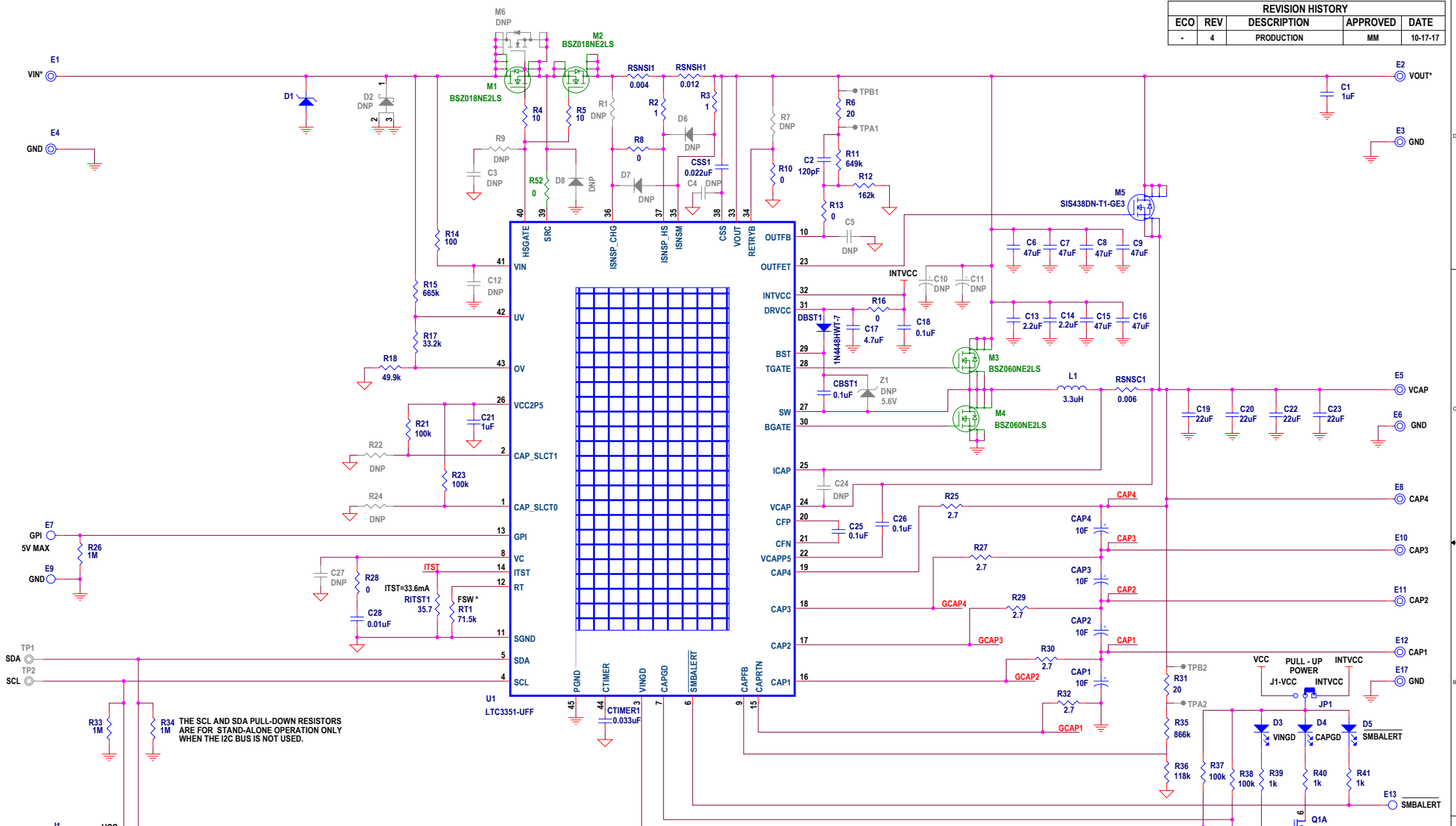
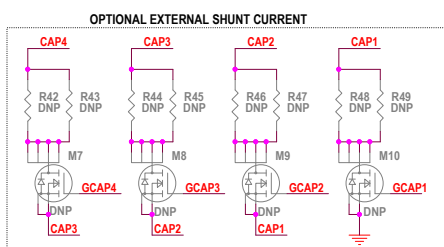
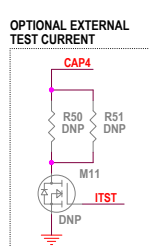
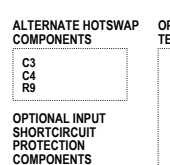
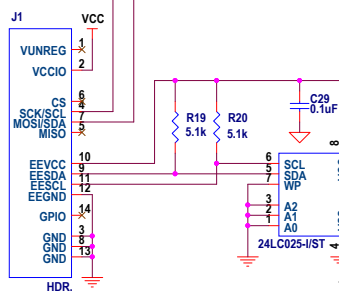


REVISION HISTORY				
ECO	REV	DESCRIPTION	APPROVED	DATE
-	4	PRODUCTION	MM	10-17-17



R33 1M R34 1M THE SCL AND SDA PULL-DOWN RESISTORS ARE FOR STAND-ALONE OPERATION ONLY WHEN THE I2C BUS IS NOT USED.



* VERSION TABLE

SKU #	VIN/VOUT	VOUT BACKUP	FSW	R1	R8	INPUT CURRENT LIMIT
DC2464A - A	11V - 18V 12V NOMINAL	6V 25W	750kHz	NOT INSTALLED	INSTALLED	2.67A CHARGER INPUT CURRENT LIMIT 4A CIRCUIT BREAKER
DC2464A - B	20V - 30V 24V NOMINAL	18V 36W	500kHz	INSTALLED	NOT INSTALLED	2A CHARGER INPUT CURRENT LIMIT 4A CIRCUIT BREAKER

PCA ADDITIONAL PARTS

MP1	STANDOFF, NYLON, SNAP-ON, 0.375"
MP2	STANDOFF, NYLON, SNAP-ON, 0.375"
MP3	STANDOFF, NYLON, SNAP-ON, 0.375"
MP4	STANDOFF, NYLON, SNAP-ON, 0.375"
LB1	LABEL
PCB1	PCB, DC2464A REV04

STNCL1 TOOL, STENCIL, 700-DC2464A REV04

CUSTOMER NOTICE
 LINEAR TECHNOLOGY HAS MADE A BEST EFFORT TO DESIGN A CIRCUIT THAT MEETS CUSTOMER-SUPPLIED SPECIFICATIONS; HOWEVER, IT REMAINS THE CUSTOMER'S RESPONSIBILITY TO VERIFY PROPER AND RELIABLE OPERATION IN THE ACTUAL APPLICATION. COMPONENT SUBSTITUTION AND PRINTED CIRCUIT BOARD LAYOUT MAY SIGNIFICANTLY AFFECT CIRCUIT PERFORMANCE OR RELIABILITY. CONTACT LINEAR TECHNOLOGY APPLICATIONS ENGINEERING FOR ASSISTANCE.

APPROVALS	
PCB DES.	NC
APP ENG.	MM
IC NO.	LTC3351
SKU NO.	DC2464A - A

LINEAR TECHNOLOGY
 1630 McCarthy Blvd.
 Milpitas, CA 95035
 Phone: (408)432-1900 www.linear.com
 Fax: (408)434-0507
 LTC Confidential-For Customer Use Only

**TITLE: DEMO CIRCUIT SCHEMATIC,
 HOT SWAPPABLE SUPERCAPACITOR CHARGER
 BACKUP CONTROLLER AND SYSTEM MONITOR**

SCALE = NONE PCA ASSY DWG: 705-DC2464A_REV04 SCHEMATIC NO. AND REVISION: 710-DC2464A_REV 04
 DATE: Thursday, October 19, 2017 SHEET 1 OF 1

THIS CIRCUIT IS PROPRIETARY TO LINEAR TECHNOLOGY AND SUPPLIED FOR USE WITH LINEAR TECHNOLOGY PARTS.