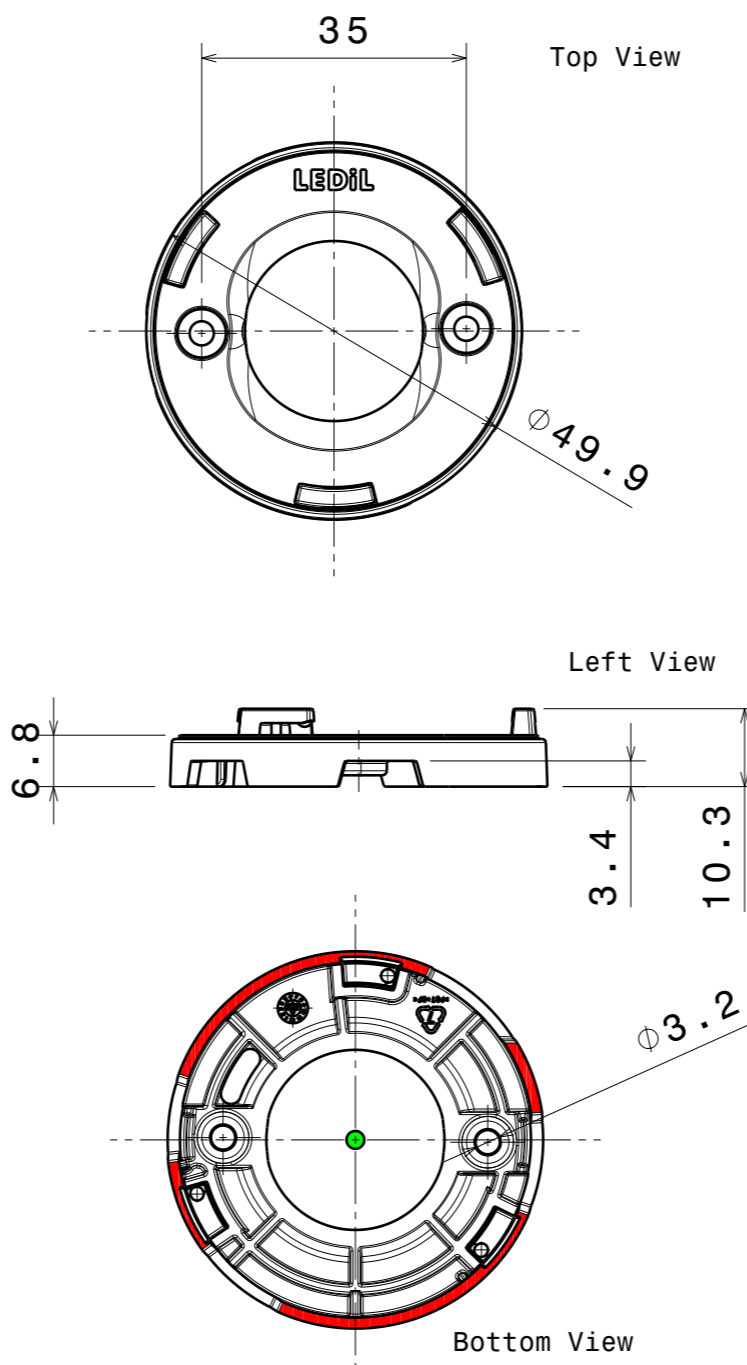




Isometric view
Scale: 1:1



F13379_ANGELA-S	FN15679_RONDA-S
F13380_ANGELA-M	FN15552_RONDA-W
F13381_ANGELA-W	FN15387_RONDA-WW
F13840_ANGELA-XW	FN15381_RONDA-WWW
F13325_ANGELINA-S	FN15622_RONDA-REC-60
F13401_ANGELINA-M	FN15789_RONDA-REC-90
F13402_ANGELINA-W	FN15380_RONDA-WAS
F13838_ANGELINA-XW	FN15977_RONDA-WAS2
F14532_ANGELETTE-S	FN15388_RONDA-ZT45
F14533_ANGELETTE-M	C15800_MOLLY-S
F16010_ANGELETTE-M2	C15801_MOLLY-M
F14534_ANGELETTE-WW	C15802_MOLLY-W
F14619_ANGELETTE-S-PLAIN	
F14620_ANGELETTE-M-PLAIN	
F16011_ANGELETTE-M2-PLAIN	
F14622_ANGELETTE-WW-PLAIN	
C14346_ANGELETTE-WAS	

TE part numbers

2325807-2 (1919)
2325807-3 (1919)
2325811-2 (2024)
2325811-3 (2024)

Notes

● PCB or heatsink level.
● LED location
Fits with TE LUMAWISE Z45 H1 connectors
Pan head screw, M3, moment 0.6Nm
Ensure LED fitting from a product specific 3D model available from www.ledil.com
For more details about installation please see LEDiL Installation Guide on www.ledil.com

PART	TYPE	MATERIAL	COLOR / COATING
C16791_CLAMP-Z45-A	HOLDER	PBT	WHITE

MECHANICAL DRAWING		LEDiL®
PRODUCT C16791_CLAMP-Z45-A		
Plastic moulding general tolerances according to DIN 16901-130 and applies if not otherwise shown in the drawing. Silicone moulding general tolerances according to ISO 3302-1 Class M3 and applies if not otherwise shown in the drawing.	FIRST ANGLE PROJECTION: 	This drawing is the property of LEDiL Oy. It may not be copied or otherwise distributed without prior written permission from LEDiL Oy.
SCALE 1:1	WEIGHT 5 g	A3 SHEET 1/1