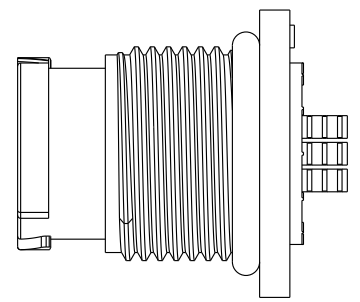
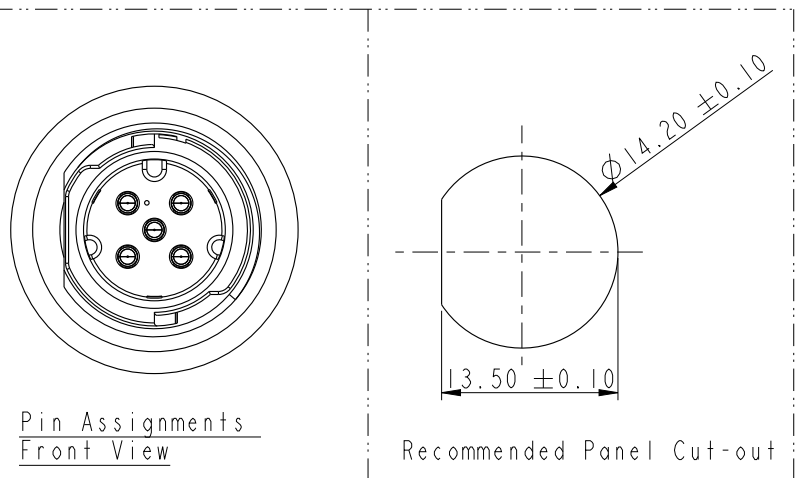
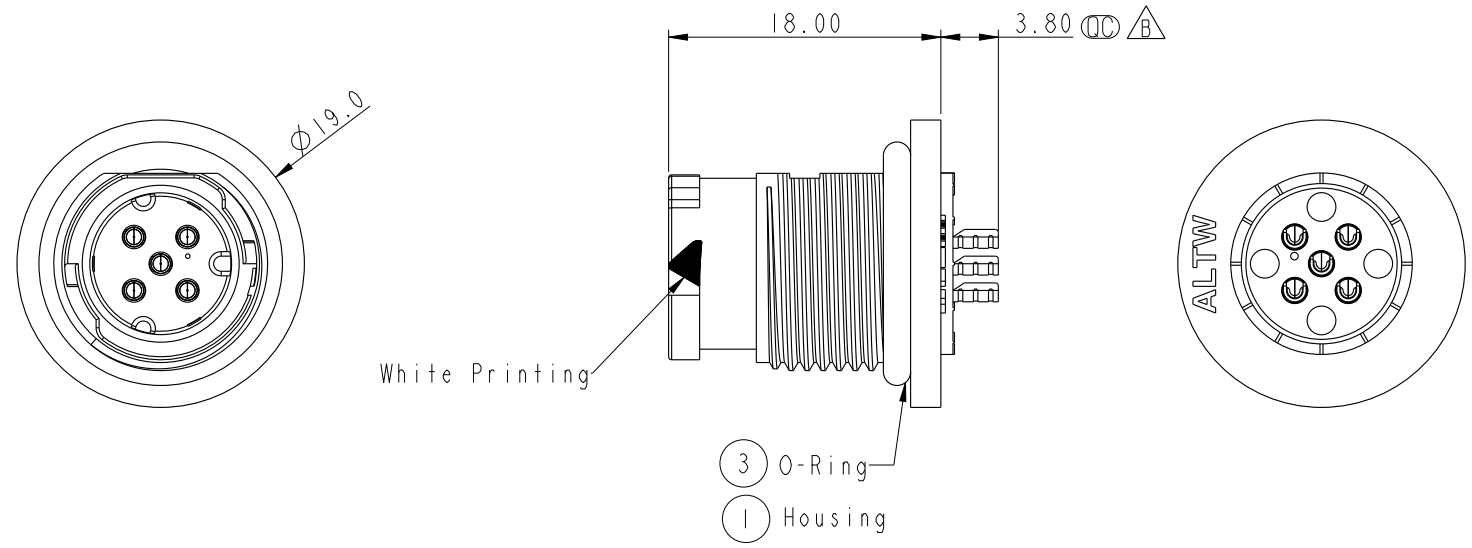


THIS DOCUMENT IS SUBJECT TO CHANGE WITHOUT NOTICE. IT IS CONFIDENTIAL AND A PROPERTY OF Amphenol LTW. DISCLOSURE TO THIRD PARTY HAS TO BE AUTHORIZED BY Amphenol LTW.

| REV. | ECN NO. | DATE | SIGN | DESCRIPTION |
|------|------------|------------|--------|------------------------------------|
| B | LEN1860137 | 2018-06-11 | Ouyang | Change the lettering |
| C | LE31870037 | 2018-07-09 | Ouyang | Update specifications |
| D | LEN1870100 | 2018-07-23 | Ouyang | Update specifications |
| E | E180448 | 2018-11-02 | Ouyang | Change Key Point And Nut schematic |

ALTW
CONFIDENTIAL
2018-11-02
R&D DEPT.

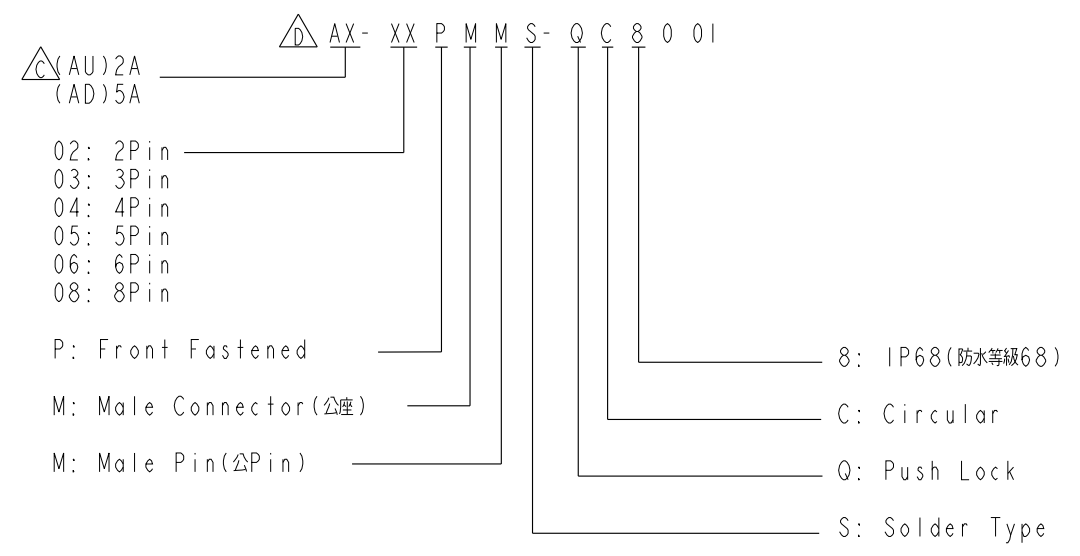
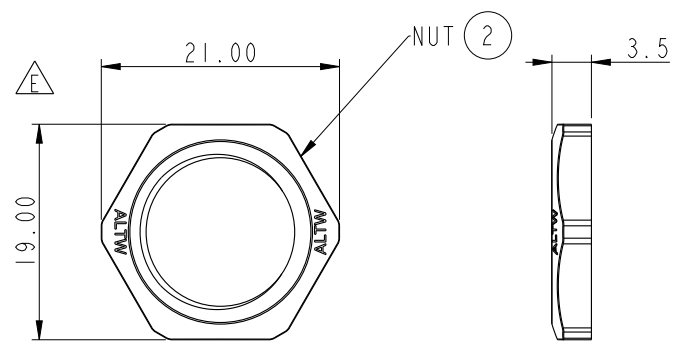


- Note: $\triangle D$
- * CC Important Dimension To Check.
 - * Waterproof Rate: IP68
 - * Flame Class: UL94V-0 (UV Resistance)
 - * Housing: Nylon+GF, Black
 - * Male Pin: Copper Alloy, Gold Plated
 - * Nut: Nylon+GF, Black
 - * Gasket: Silicone, Gray
 - * Rated Current: 2~5Pin 5A(300V)
6~8Pin 2A(30V)
 - * Use Without Waterproof Cap
Panel Thickness Max: 4.0mm
 - * Use With Waterproof Cap
Panel Thickness Max: 3.0mm

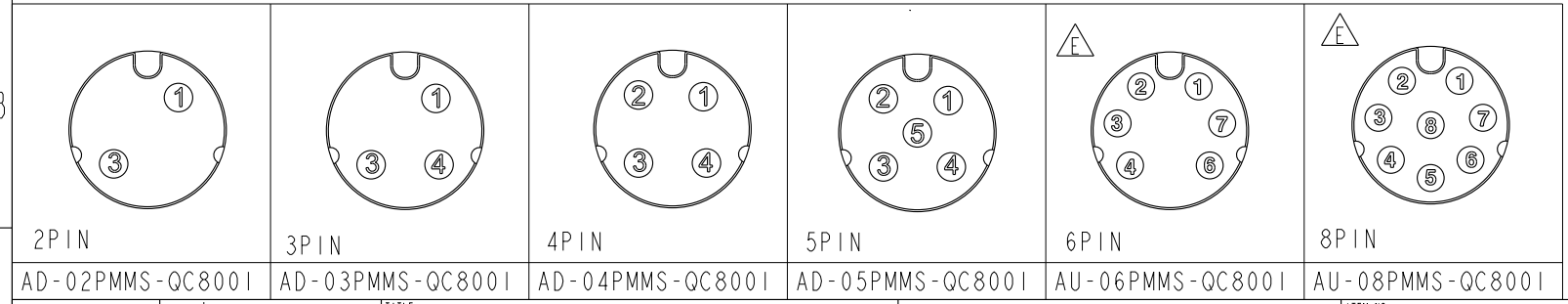
| | | | | | | | |
|--|---|---------------|--------------------------------------|------------------|-----------------------------|----------------------------|---------------------|
| UNIT:mm TOLERANCE $\pm 0.5\text{mm}$ | TITLE X Lok A-Size Receptacle Front Fastened M Conn M Pin | | Amphenol LTW 安費諾亮泰企業股份有限公司 | | ITEM NO AX-XXPMMS-0C8001 | DRAWN BY Ouyang | DATE 2018-11-02 |
| | SCALE 1:1 | SIZE A4 | | | SHEET 1 OF 2 | DWG NO AX-XXPMMS-0C8001 | CHECKED BY Mafei |
| | REV. E | WC-REV. .0 | CC : Inspection item | CUSTOMER ALTW | APPROVED BY Jerry | DATE 2018-11-02 | |

THIS DOCUMENT IS SUBJECT TO CHANGE WITHOUT NOTICE. IT IS CONFIDENTIAL AND A PROPERTY OF AMPHENOL LTW. DISCLOSURE TO THIRD PARTY HAS TO BE AUTHORIZED BY AMPHENOL LTW.

| REV. | ECN NO. | DATE | SIGN | DESCRIPTION |
|------|---------|------|------|-------------|
| | | | | |
| | | | | |
| | | | | |



△



| | | | | | |
|------------------|------------------|------------------|------------------|------------------|------------------|
| 2PIN | 3PIN | 4PIN | 5PIN | 6PIN | 8PIN |
| AD-02PMMS-QC8001 | AD-03PMMS-QC8001 | AD-04PMMS-QC8001 | AD-05PMMS-QC8001 | AU-06PMMS-QC8001 | AU-08PMMS-QC8001 |

UNIT:mm
TOLERANCE
±0.5mm

| | | |
|---|---------------|---------------------|
| TITLE X Lok A-Size Receptacle Front Fastened M Conn M Pin | | |
| SCALE 1:1 | SIZE A4 | SHEET 2 OF 2 |
| REV. E | WC-REV. .0 | QC: Inspection item |

Amphenol LTW
安費諾亮泰企業股份有限公司

| | | |
|-----------------------------|----------------------|--------------------|
| ITEM NO AX-XXPMMS-QC8001 | DRAWN BY Ouyang | DATE 2018-11-02 |
| DWG NO AX-XXPMMS-QC8001 | CHECKED BY Mafei | DATE 2018-11-02 |
| CUSTOMER ALTW | APPROVED BY Jerry | DATE 2018-11-02 |