

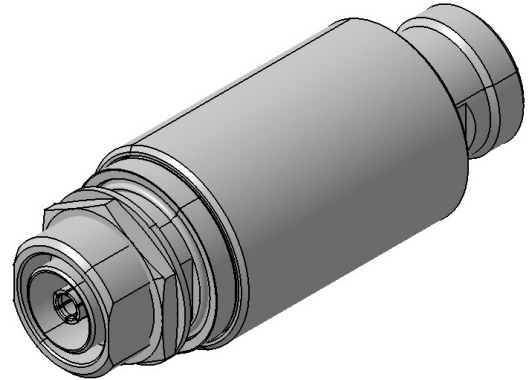
High Voltage DC Block 9077.41.0031

Description

Broadband HIGH VOLTAGE DC-DC Block

Benefits

- Broadband operation
- Can also be installed reversely
- Inner and outer conductor blocked (DC-DC Block)
- Grounding feature



Product Configuration

Port 1 connector	7/16 jack (female)
Port 2 connector	7/16 jack (female), side of bulkhead
Mounting	MH110 (bulkhead mounting)

Technical Data

Electrical Data

Impedance	50 Ω	
Frequency Range	160 to 3000 MHz	300 to 2500 MHz
Return loss	≥ 22 dB	≥ 26.44 dB
Insertion loss	≤ 0.2 dB	≤ 0.1 dB
RF avg. power	≤ 500 W	≤ 500 W
RF peak power	≤ 1000 W	≤ 1000 W
PIM 3rd order	-150 dBc typ.	-150 dBc typ.
Blocking voltage center cond.	≤ 4000 VDC	
Blocking voltage outer cond.	≤ 4000 VDC	
Leakage current	≤ 5 μ A	

Mechanical Data

Weight	459 g
--------	-------

Environmental Data

Operating temperature	-40 °C to +85 °C
Waterproof degree	IP65

Material Data

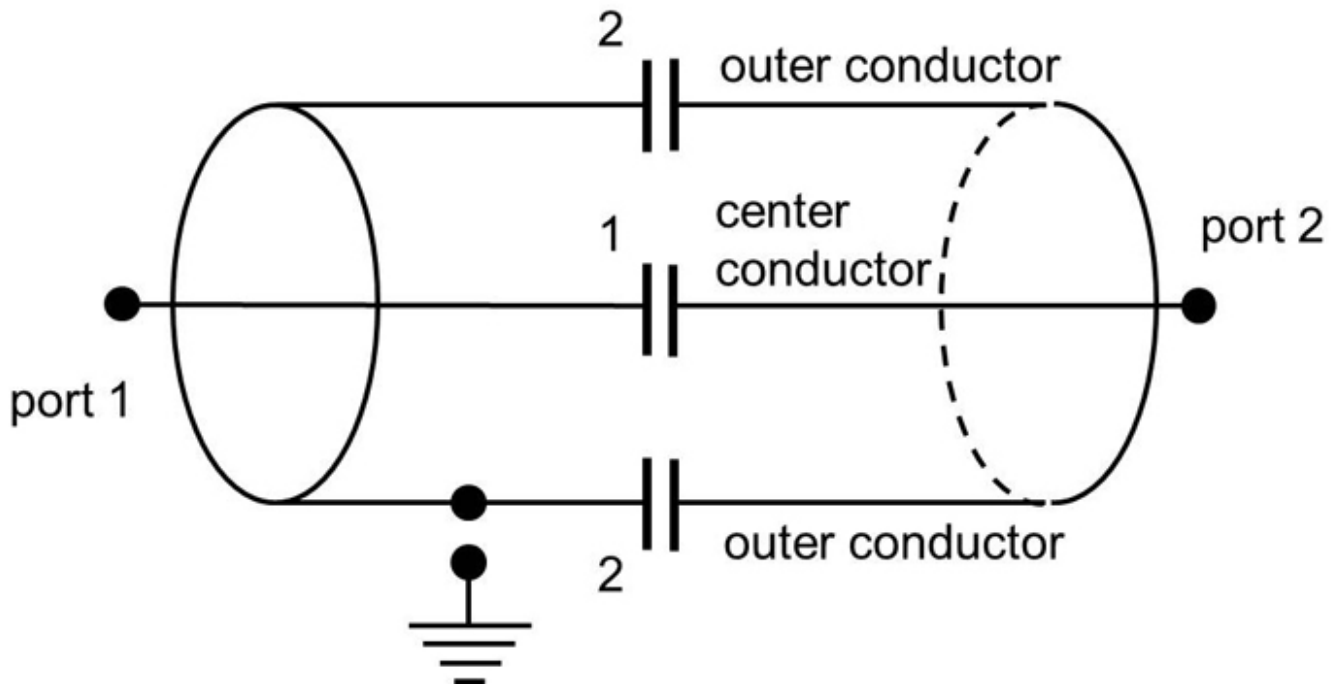
Piece Parts	Material	Surface Plating
Housing	POM (Polyoxymethylene)	
Female center contact	Copper Beryllium Alloy	Silver Plating

Related Documents

Outline drawing	DOU-00067459.1
-----------------	----------------

High Voltage DC Block 9077.41.0031

Schematic diagram component circuit



1) Center block: Yes

2) Outer block: Yes

3) Port 1 short: No

4) Port 2 short: No