

THIS DRAWING IS UNPUBLISHED.

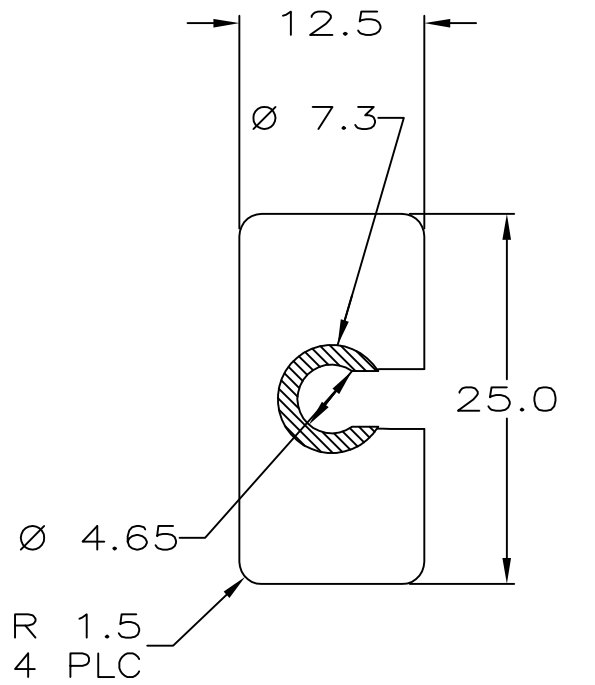
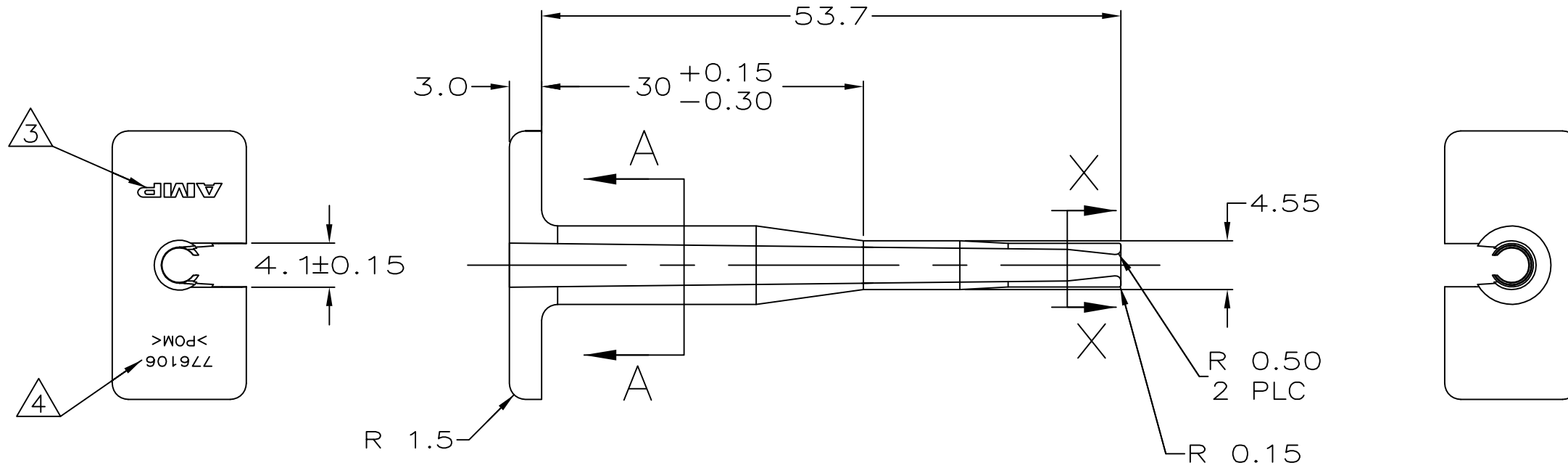
RELEASED FOR PUBLICATION

ALL RIGHTS RESERVED.

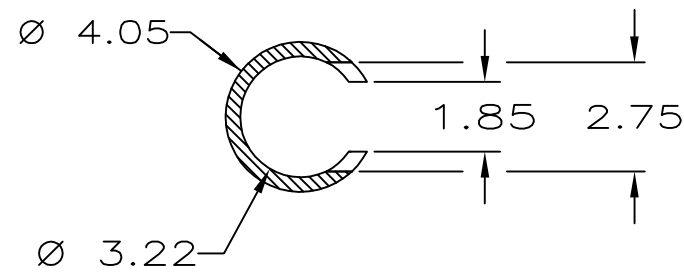
© COPYRIGHT - TE Connectivity

REVISIONS

P	LTR	DESCRIPTION	DATE	DWN	APVD
B		REV PER ECO-17-012706	14NOV2017	JMS	MT



SECTION A-A



SECTION X-X  
SCALE 5:1

- TOOL IS FOR USE WITH SOCKET CONTACT ASSEMBLY P/N 776093-1 AND PIN P/N 95-6901-12.
- MATERIAL : ACETAL(DELRIN),COLOR: WHITE (NATURAL)
- AMP LOGO SHALL BE LOCATED APPROXIMATELY AS SHOWN.
- APPLY POLYMER I.D. CHARACTERS AND PART NUMBER CHARACTERS LOCATED APPROXIMATELY AS SHOWN.

776106-1  
PART NUMBER

THIS DRAWING IS A CONTROLLED DOCUMENT.		DWN P. YEAGER 12-17-96	<b>STE</b> TE Connectivity		
		CHK W. LONG 12-17-96			
DIMENSIONS: mm		APVD W. LONG 12-17-96	NAME EXTRACTION TOOL		
TOLERANCES UNLESS OTHERWISE SPECIFIED: 0 PLC ± - 1 PLC ± 0.3 2 PLC ± 0.10 3 PLC ± - 4 PLC ± - ANGLES ± 1°		PRODUCT SPEC -	APPLICATION SPEC -		
MATERIAL ②		FINISH -	WEIGHT 0.000000	SIZE A3	CAGE CODE 00779
			DRAWING NO C=776106	RESTRICTED TO -	
CUSTOMER DRAWING			SCALE 2:1	SHEET 1 of 1	REV B